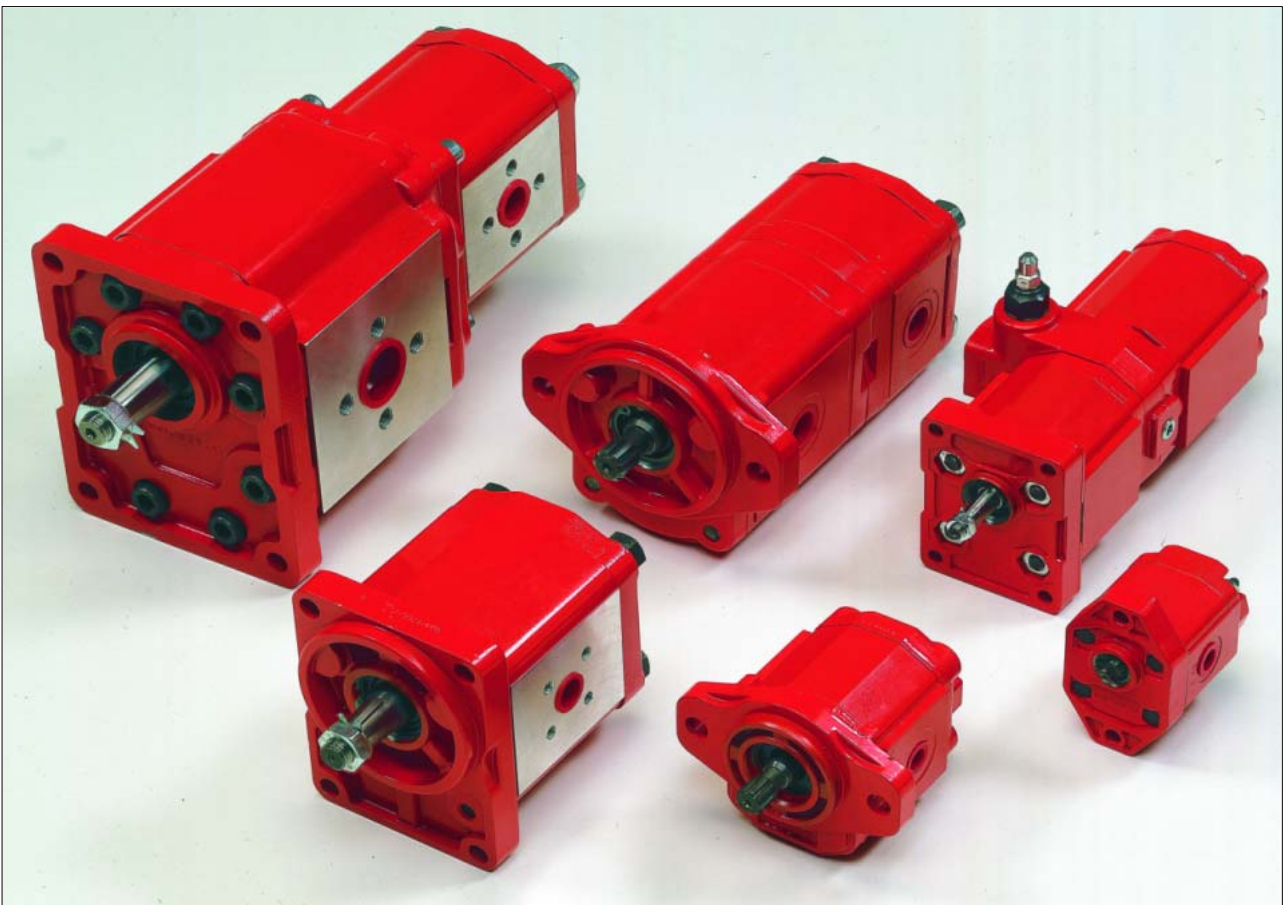
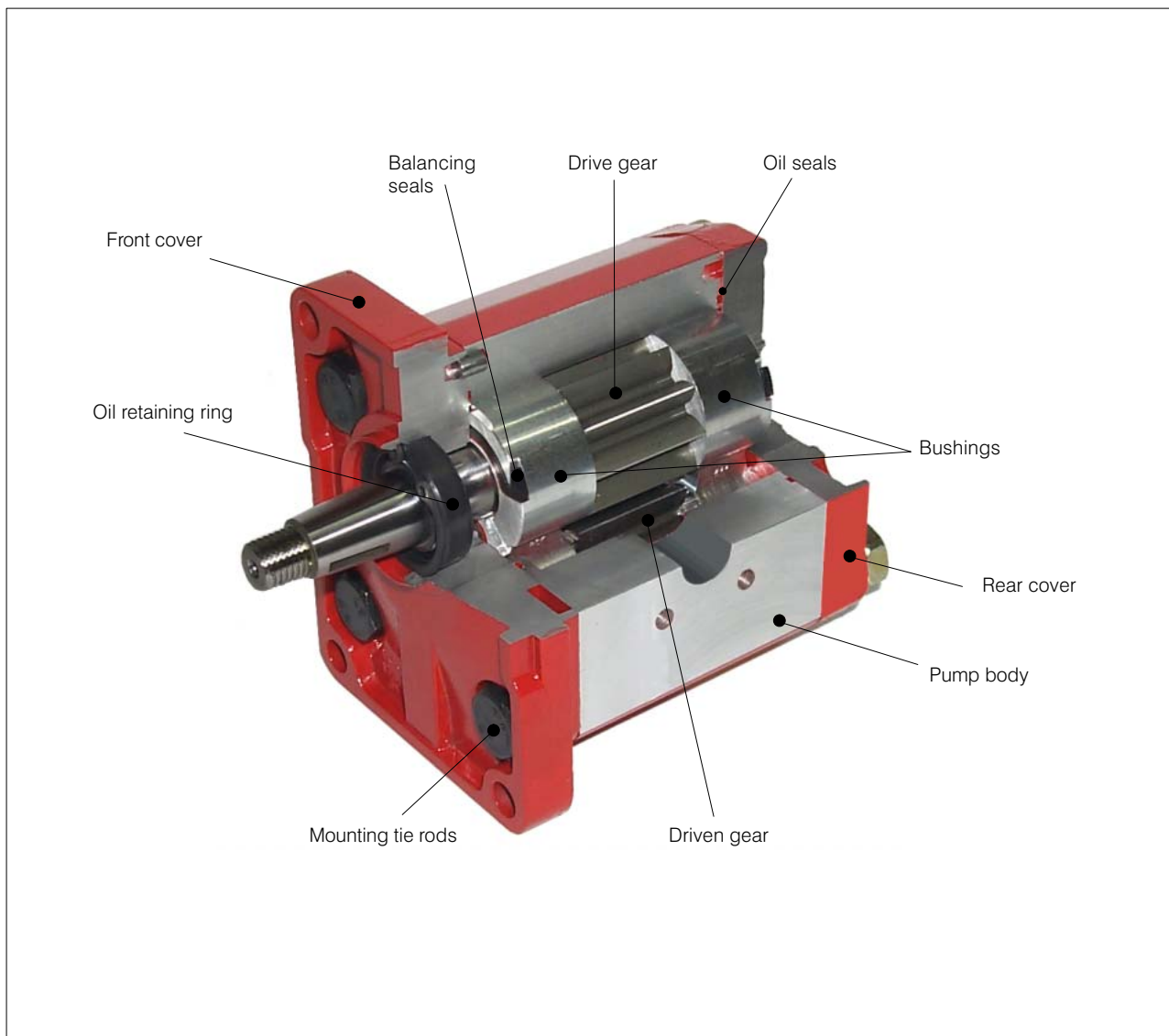


## Gear Pumps



motion and progress



## Index

1	General information	3
2	Technical information	4
3	Gear pumps group AP05	16
4	Gear pumps group AP100	30
5	Gear pumps group AP200	49
6	Gear pumps group AP300	86
7	Accessories	94
8	Composition of product code	99

## 1 General information

### 1.1 Introduction to the product

Gear pumps are widely used in modern hydraulic systems due to their high performance, long service life, and low purchase and maintenance costs.

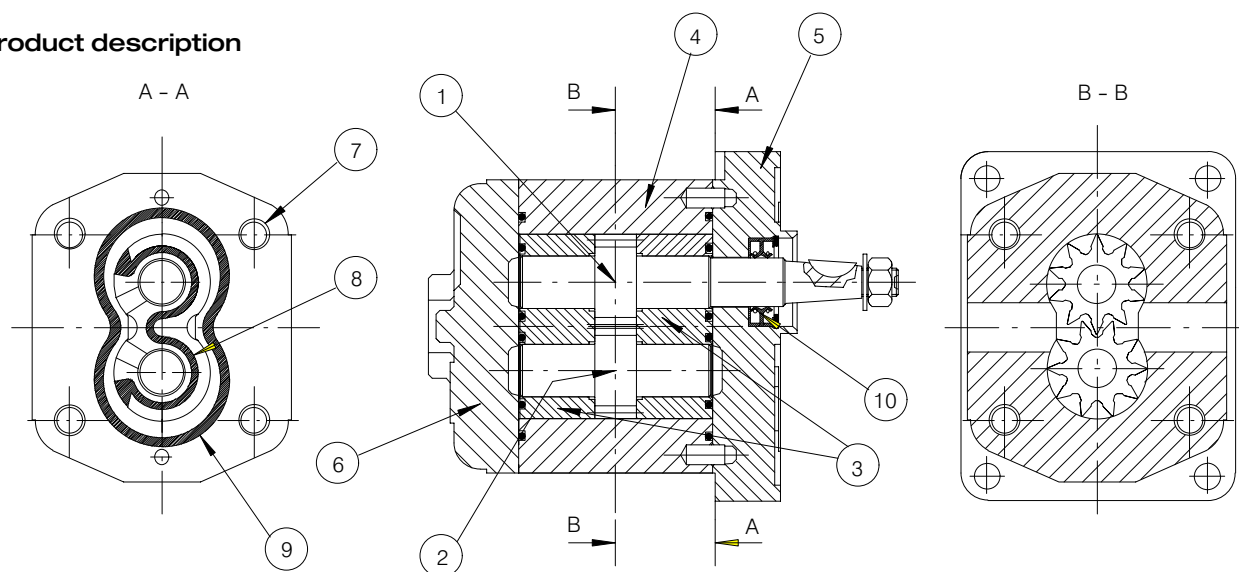
Product development has made it possible to achieve high operating pressures, excellent volumetric and mechanical efficiency, and lower noise levels, in operation, by means of:

- meticulous CAD design of the gear teeth and balancing areas
- an exacting choice of high-performance materials

- carefully controlled heat treatments
- increasingly tight coupling tolerances, and a high standard of surface finish.

Bucher Hydraulics S.p.A. has achieved these results by constantly improving its design, control, and manufacturing techniques in line with the latest technological developments, while simultaneously introducing a Quality Control System which ensures that every single product offers the same high standards.

### Product description



- 1 - Drive gear
- 2 - Driven gear
- 3 - Bushings
- 4 - Pump body
- 5 - Front cover

- 6 - Rear cover
- 7 - Mounting tie rods
- 8 - Balancing seals
- 9 - Oil seals
- 10 - Oil retaining ring

Referring to the pump shown in the figure, the drive gear (1) drives round the driven gear (2), transferring the oil from the suction port to the pressure port as it turns round.

The gears are made from high strength steel alloy.

The bushings (3) serve a dual purpose:

- to act as a bearing for the gears
- to balance axial and radial thrust in proportion to the change in operating pressure.

The gears-bushings assembly is fitted inside the pump body (4), in which generally the suction and pressure ports are formed. The pump body is made of high strength extruded aluminium alloy. The front cover (5), which also acts as a mounting flange, and the rear cover (6) are connected to one another by mounting tie rods (7).

The pump assembly is completed by a series of seals:

- Balancing seals (8) can be fitted in recesses in the bushings as shown in the figure, or in the covers. Their purpose is to delimit the longitudinal balancing area separating the suction and pressure zones.
- Oil seals (9) prevent oil from leaking out.

- An oil retaining ring with the dual purpose of preventing oil leaks from the drive gear shaft and preventing dust or other pollutants from entering the pump itself. Unless otherwise specified, the seals are in nitrilic compound offering high mechanical strength and heat resistance.

Viton seals are available on request.

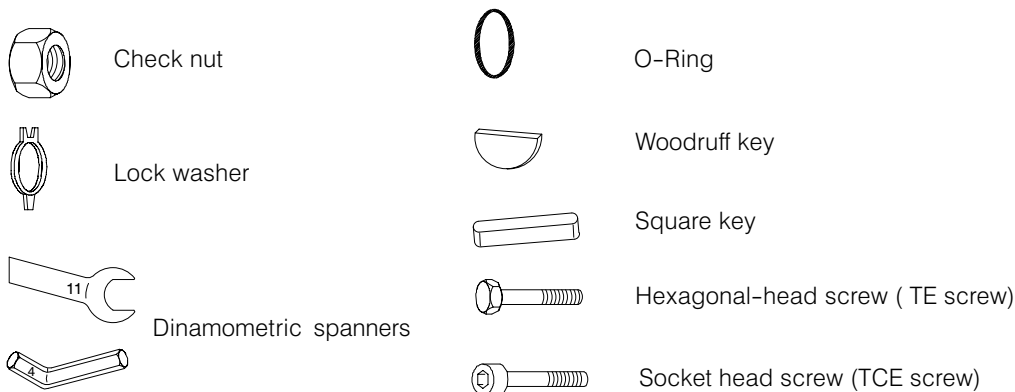
(see 2.2 Recommended fluids/Allowed temperatures)

### Versions available

The Bucher Hydraulics S.p.A. product range includes single pumps of groups 05-100-200-300 (corresponding to the common group denominations: 05-1-2-3) and several combinations of double pumps, triple pumps, and so on, that can be assembled together according to versions of displacement, flanging, and auxiliary valves indicated in this catalogue.

Bucher Hydraulics S.p.A. will examine any request for special versions, features, and customisations not shown in this catalogue. To make such a request, please contact our Sales Department.

## 1.2 Non-standard symbols used in the text



## 2 Technical information

### 2.1 Identifying the rotation direction

The rotation direction of a gear pump is identified by looking at the pump from the front and with the drive gear turned upwards (see figures below).

Pumps with clockwise rotation (D) have a drive gear which turns clockwise, with the suction port on the left and the pressure port on the right.

Pumps with counterclockwise rotation (S) have a drive gear which turns counterclockwise, with the suction port on the right and the pressure port on the left.

The figure also shows the pressure flow inside the pumps as the oil is transferred from the suction port to the pressure port.

As regards reversible pumps (R), the ports are alternatively

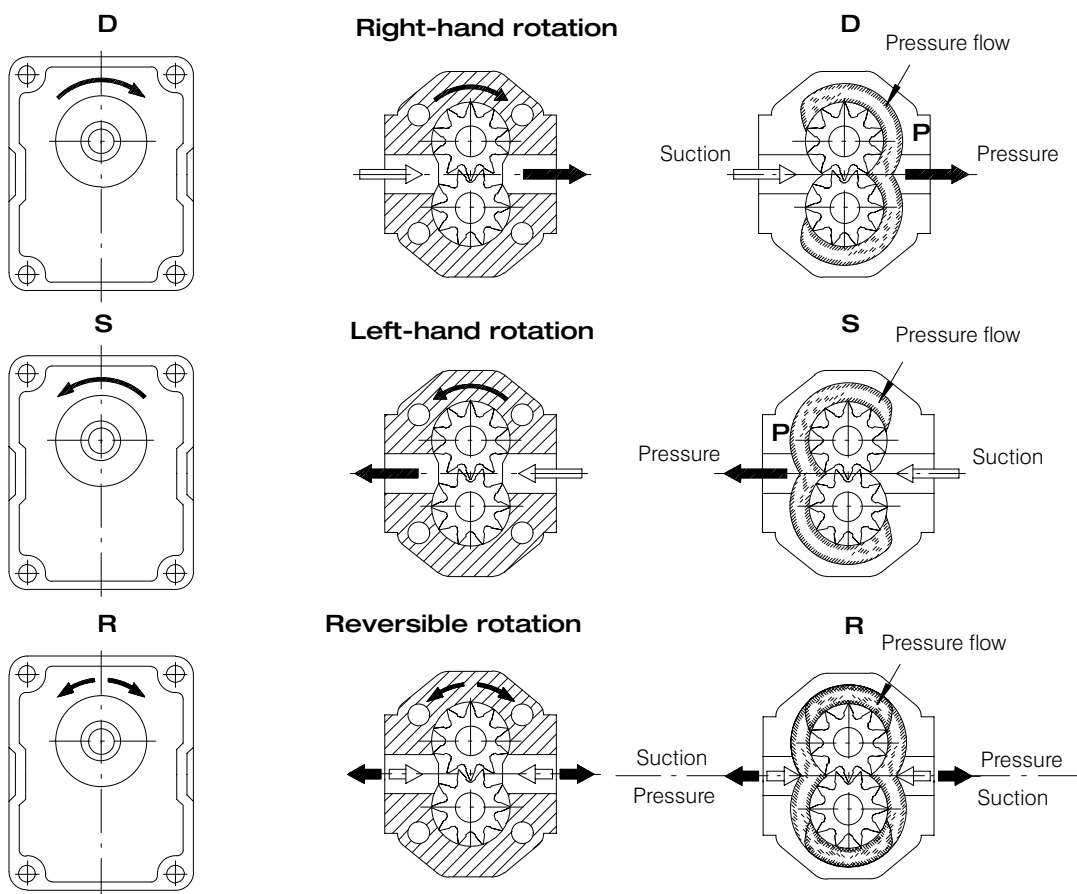
for suction and pressure.

Pumps with a unidirectional rotation (D or S) have the denomination AP. Pumps with reversible rotation have the denomination APR.

It is possible to change the rotation direction of the entire range of pumps without having to replace any component, except for the AP100 group, for which it is necessary to replace the front cover.

To ensure a good technical result, we recommend in any case that such inversion be carried out at our factory.

Technical descriptions are available on request, which show the correct procedure for the pump rotation inversion.



## 2.2 Recommended fluids/Allowed temperatures

We recommend using only mineral oil-based hydraulic fluids that comply with the ISO/DIN standards.

Viscosity range: recommended **20 ÷ 120 mm<sup>2</sup>/s (cSt)**  
permitted up to **700 mm<sup>2</sup>/s (cSt)**

Operating temperature

Type of seals	Temperature	
	AP05–APR05	AP100–AP200–AP300
Buna N	-15 ÷ 65° C	-15 ÷ 80° C
Viton*	-10 ÷ 80° C	-10 ÷ 120° C

**\* Caution! – Use of pumps at temperatures above 80°C must always be agreed upon with our Technical Office, and in any case this can cause a significant worsening in the volumetric efficiency.**

**For use under conditions different from those indicated in this catalogue, please contact our Sales Department.**

## 2.3 Suction

The absolute suction pressure must be  **$V \geq 0.75 \text{ bar (11 PSI)}$** ; therefore, the following must be avoided:

- large height differences between pump and tank
- long stretches of piping
- special features such as:
  - bends
  - reductions in diameter
  - quick couplings
  - etc.

It is also advisable to choose a filter of a suitable size to minimise any pressure drop and to take measures to prevent gradual clogging over time.

(Example 1)

In certain cases, the suction pressure can exceed 1 bar (14.3 PSI), or atmospheric pressure.

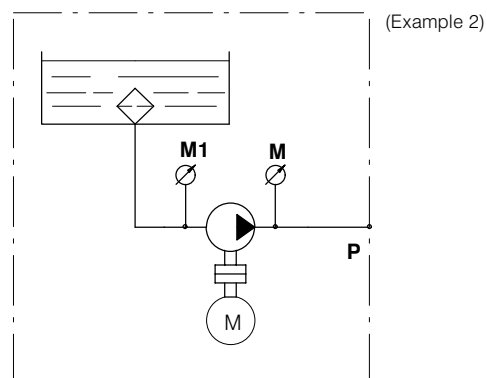
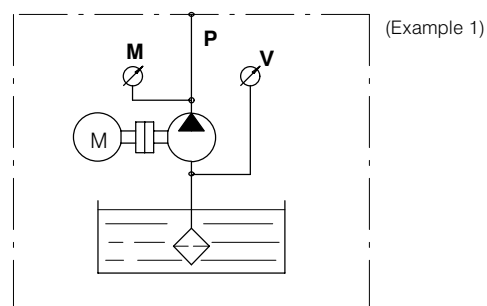
For pumps in the standard configuration, the pressure read on the pressure gauge M1 should be:

**$M1 \leq 3.5 \text{ bar (50 PSI)}$**

If in a particular application the M1 pressure is higher than the recommended value, contact our Sales Office.

The diameter of the suction pipe should ensure that the oil speed will fall within the range:  **$v = 0.6 - 1.2 \text{ m/s}$** .

(Example 2)



## 2.4 Filtration

A short service life of a gear pump is normally due to the presence of impurities in the oil.

It is therefore essential to have an effective filter in the system and to carry out regular maintenance to ensure a long, trouble-free service life.

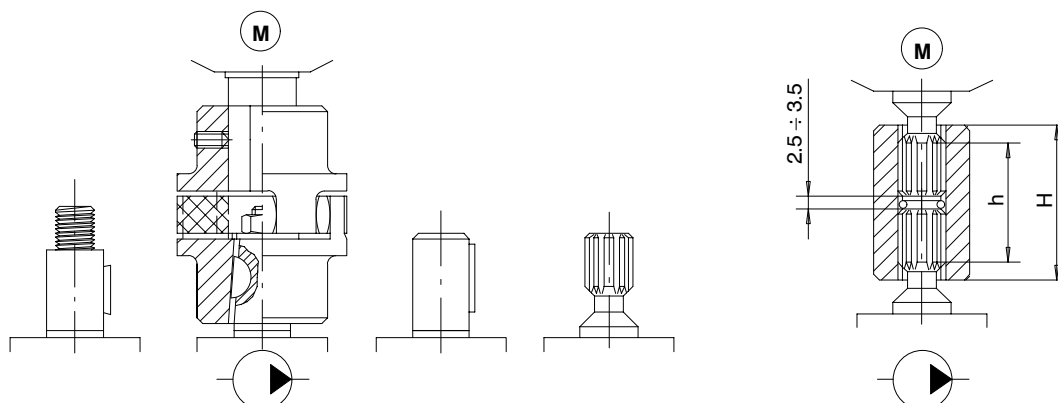
When possible and compatible with the hydraulic circuit installed, Bucher Hydraulics S.p.A. recommends that the system have total filtration (suction, pressure, return).

In any case, the filtering system must constantly ensure an oil contamination class equal to or less than those shown in the following table.

Operating pressure	> 170 bar 2430 PSI	< 170 bar 2430 PSI
Contamination class NAS 1638	9	10
Contamination class ISO 4406	18/15	19/16
Obtain with filter $\beta_x = 75$	20	25

We also recommend that an adequate air filter be installed on the tank to prevent contaminating substances such as dust, sand, etc. from getting into the oil, as these substances can enter the tank through the air flow caused by the level variations in the tank itself.

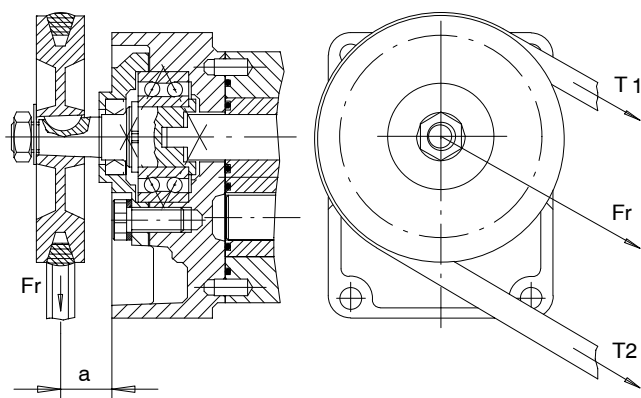
## 2.5 Motor-Pump Coupling



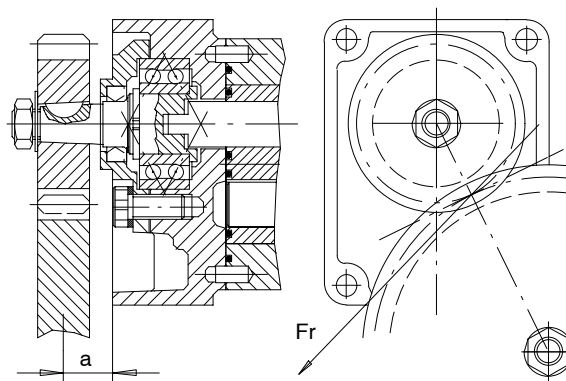
Absolutely no radial or axial forces should be transmitted to the drive shaft in the motor-pump coupling. Such forces cause rapid and irregular wear on the balancing surface of the bushings and gear support, with a consequent worsening in pump performance. The coupling joint must be able to absorb any discrepancies in the coaxial alignment of the motor-pump shafts without placing any load on the pump shaft. In the couplings between splined shafts, the connecting sleeve must be free to move along its axis. The length of the sleeve must be sufficient to cover the splined sections of the motor-pump shafts completely in any position.

The distance between the ends of the shafts must be between **2.5 ± 0.35 mm (.10" ± .014")**. Make sure that the splined coupling is suitably lubricated to protect it against rapid deterioration. If there are radial and/or axial loads on the drive shaft, such as when it is driven by a V-belt and pulley or pair of gear wheels, it should be fitted with a front cover with supporting bearings. (See examples 1 and 2) Depending on the pump model concerned, these supports can replace the front cover of the pump (e.g. 201 K8 and 201 K0) or can be fitted in addition to and over the front cover (e.g. TC35K1 – TC35K4 – TC40K1 – TC40K2 codes).

(Example 1)



(Example 2)



The allowed radial load values "Fr" in relation to "a" are shown in the diagrams of each version equipped with cover with support bearings.

## 2.6 General installation precautions

In addition to the recommendations regarding fluids, filtration, coupling, etc., we suggest the following:

- Always check the rotation direction of the pump's drive shaft; it must be compatible with the rotation direction of the pump itself.
- Be particularly careful in cleaning and make sure, when connecting the suction and pressure piping, that no chips, rag threads, teflon tape, etc. get into the pump circulation system.
- Check the tightness of the suction and pressure fittings, the correct positioning of the O-Ring, and make sure there is no dirt between the flange and the pump body.
- The first pump start-up can be facilitated by manually filling the suction piping and the pump itself with oil. To facilitate air bleeding, start the pump with the circuit not pressurised.

## 2.7 pressure

Pressure levels:

P1 = continuous pressure

P2 = intermittent pressure

P3 = peak pressure  
The recommended oil speed in the pressure pipes is: **v = 2 to 5 m/s**

The characteristic data of each pump is given in the tables on the following pages.

- To ensure the best heat distribution inside the tank, make sure the return pipe is not too close to the pump's suction piping.

The pipings themselves should be below oil tank level to prevent the formation of foam.

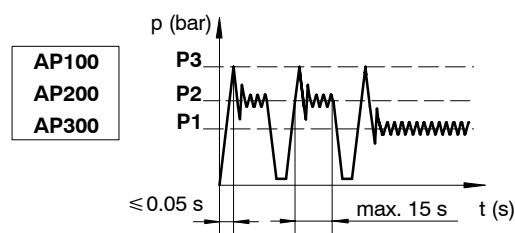
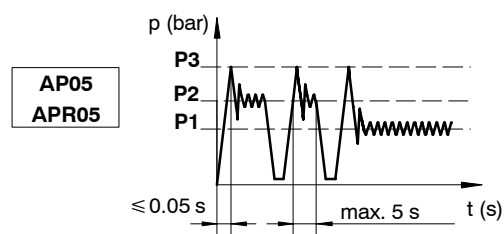
- Do not subject the pumps to operating conditions different from those indicated on p. 9/104; for extreme operations, always contact our Technical Department.

- Never use fluids different from those indicated in section 2.2.

- In the event of pump painting, do not use solvents or paints that are incompatible with the material of the seals.

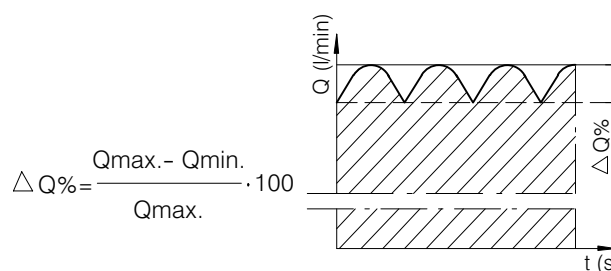
Do not bake paint with excessively high temperatures.

Do not paint over the product identification plate; the warranty will not be valid if this plate is illegible.



pressure flow rate surging

Pump	Z	ΔQ%
AP05	13	13
AP100	12	15
AP200	10	16
AP300	10	16

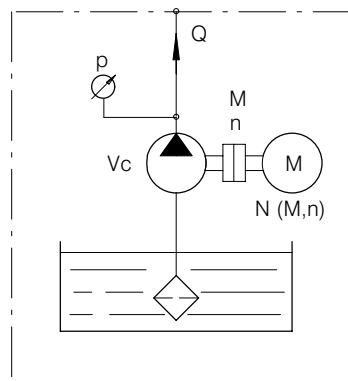




## 2.8 Calculating the specifications of a gear pump

The following parameters are defined:

- V<sub>c</sub>** = (cm<sup>3</sup>/r) pump displacement;
- n** = (r/min) no. of rpms of the drive shaft;
- Q** = (l/min) flow rate;
- p** = (bar) operating pressure;
- M** = (Nm) drive torque;
- N** = (kW) power;
- η<sub>v</sub>** = (%) volumetric efficiency;
- η<sub>m</sub>** = (%) mechanical efficiency;
- η<sub>t</sub>** = (%) total efficiency



$$Q = \frac{V_c \cdot n}{100000} \cdot \eta_v \quad V_c = \frac{100000 \cdot Q}{n \cdot \eta_v} \quad n = \frac{100000 \cdot Q}{V_c \cdot \eta_v}$$

$$N = \frac{V_c \cdot n \cdot p}{6120 \cdot \eta_t} \quad N = \frac{Q \cdot p}{6.12 \cdot \eta_t} \quad p = \frac{N \cdot 6.12 \cdot \eta_t}{Q} \quad p = \frac{N \cdot 6120 \cdot \eta_t}{V_c \cdot n}$$

$$M = 9555 \cdot \frac{N}{n} \quad \eta_t = \eta_v \cdot \eta_m$$

### Example

AP100/2.5 V<sub>c</sub>= 2.5 cm<sup>3</sup>/r n= 1500 r/min p=200 bar η<sub>v</sub>= 94% η<sub>m</sub>= 87%

$$Q = \frac{2.5 \cdot 1500}{100000} \cdot 94 = 3.52 \text{ l/min.} \quad \eta_t = 0.94 \cdot 0.87 = 0.82 = 82\%$$

$$N = \frac{3.52 \cdot 200}{6.12 \cdot 82} = 1.4 \text{ kW} \quad M = 9555 \cdot \frac{1.4}{1500} = 9 \text{ Nm}$$

AP05	Displacement		Max. pressure						n min.		n max.	
	cm <sup>3</sup> /rev	Cu. In. P. R.	P1		P2		P3		P ≤ P1	P > P1	P ≤ P1	P > P1
			bar	P.S.I.	bar	P.S.I.	bar	P.S.I.				
<b>AP05/0.25</b>	0.25	.015	170	2400	180	2600	200	2900	800	1000	6000	7000
<b>AP05/0.5</b>	0.5	.030	190	2700	210	3000	230	3300	650	800	6000	7000
<b>AP05/0.75</b>	0.75	.045	190	2700	210	3000	230	3300	650	800	6000	7000
<b>AP05/0.9</b>	0.9	.055	190	2700	210	3000	230	3300	650	800	6000	7000
<b>AP05/1.2</b>	1.2	.073	170	2400	180	2600	200	2900	550	700	5000	6000
<b>AP05/1.6</b>	1.6	.097	170	2400	180	2600	200	2900	550	700	5000	6000
<b>APR05/0.25</b>	0.25	.015	150	2200	160	2300	180	2600	800	1000	6000	7000
<b>APR05/0.5</b>	0.5	.030	170	2400	190	2700	210	3000	650	800	6000	7000
<b>APR05/0.75</b>	0.75	.045	170	2400	190	2700	210	3000	650	800	6000	7000
<b>APR0.5/0.9</b>	0.9	.055	170	2400	190	2700	210	3000	650	800	6000	7000
<b>APR05/1.2</b>	1.2	.073	150	2200	160	2300	180	2600	550	700	5000	6000



AP100	Displacement		Max. pressure						n min.		n max.	
	cm <sup>3</sup> /rev	Cu. In. P. R.	P1		P2		P3		P ≤ P1	P > P1	P ≤ P1	P > P1
			bar	P.S.I.	bar	P.S.I.	bar	P.S.I.				
AP100/1.2	1.2	.073	210	3000	250	3600	280	4000	800	1000	4500	5000
AP100/1.7	1.7	.103	210	3000	250	3600	280	4000	650	800	4500	5000
AP100/2.5	2.5	.152	210	3000	250	3600	280	4000	650	800	4500	5000
AP100/3.5	3.5	.213	210	3000	230	3300	250	3600	650	800	3500	4000
AP100/4.3	4.3	.262	210	3000	230	3300	250	3600	550	700	3500	4000
AP100/5	5.0	.305	210	3000	230	3300	250	3600	500	650	3000	3500
AP100/6.5	6.5	.396	190	2700	220	3150	240	3400	500	650	2500	3000
AP100/8	7.8	.476	180	2600	210	3000	230	3300	500	650	2500	3000
AP100/10	10.0	.610	150	2150	180	2600	200	2900	500	650	2000	2500

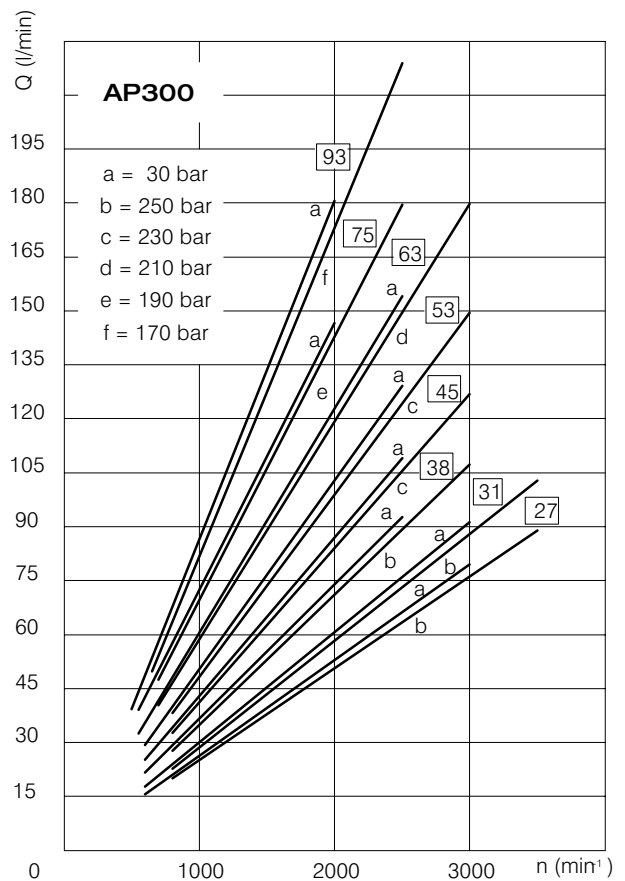
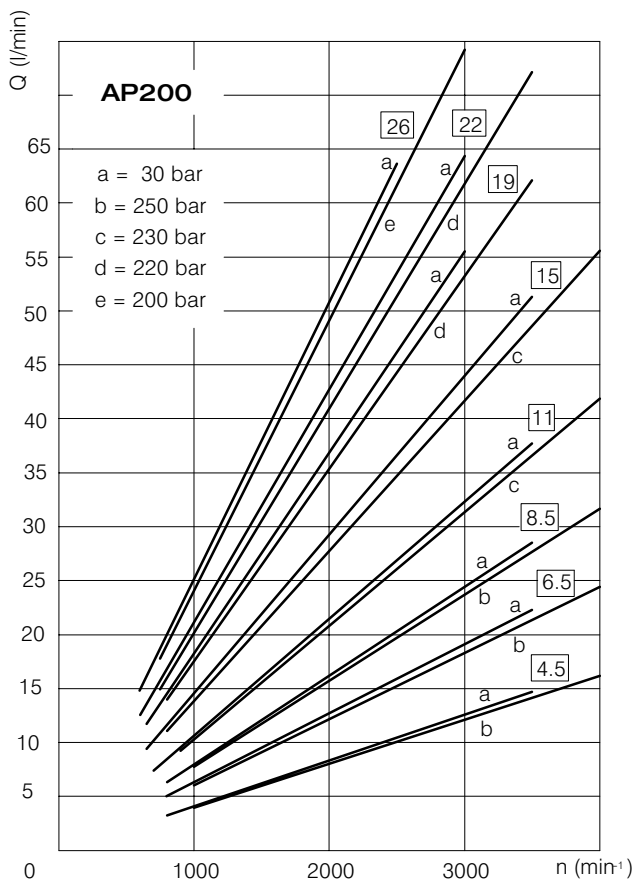
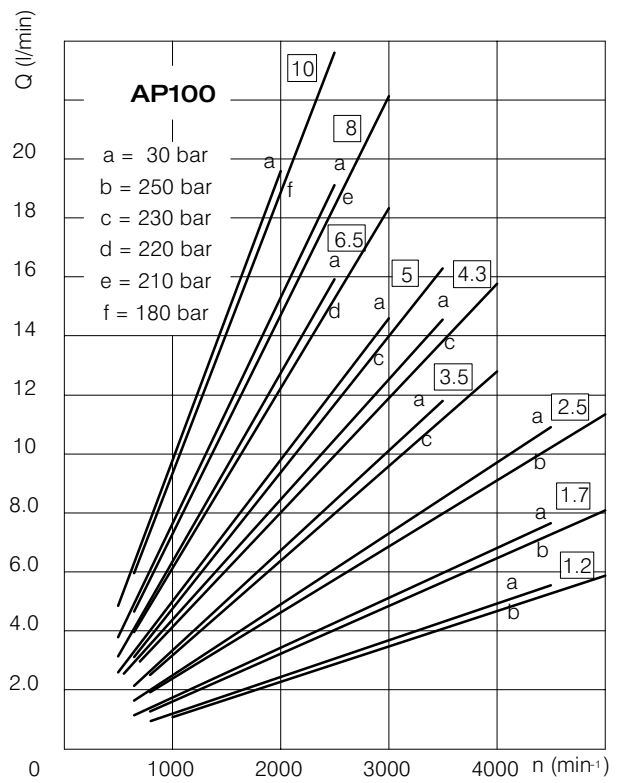
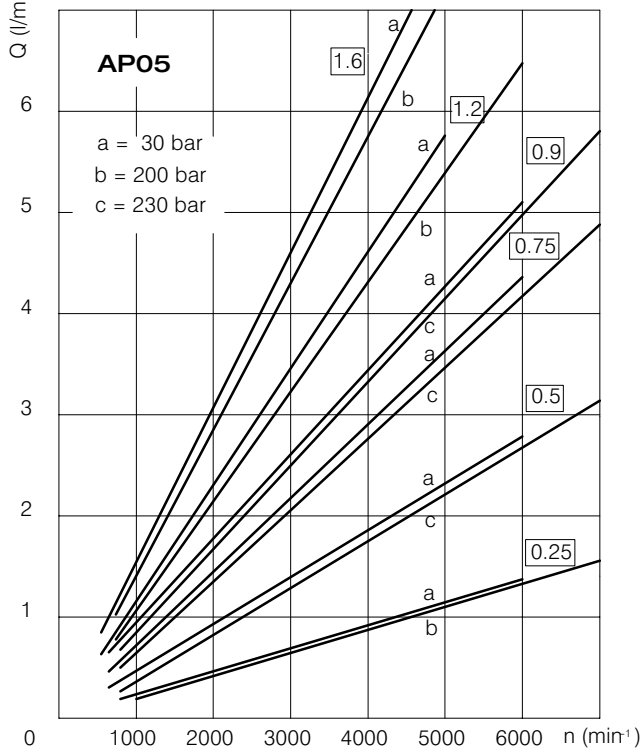
AP200	Displacement		Max. pressure						n min.		n max.	
	cm <sup>3</sup> /rev	Cu. In. P. R.	P1		P2		P3		P ≤ P1	P > P1	P ≤ P1	P > P1
			bar	P.S.I.	bar	P.S.I.	bar	P.S.I.				
AP200/4.5	4.3	.262	220	3150	250	3600	280	4000	800	1000	3500	4000
AP200/6.5	6.3	.384	220	3150	250	3600	280	4000	800	1000	3500	4000
AP200/8.5	8.3	.506	220	3150	250	3600	280	4000	800	1000	3500	4000
AP200/11	11.0	.671	210	3000	230	3300	250	3600	700	900	3500	4000
AP200/15	15.0	.915	210	3000	230	3300	250	3600	650	800	3500	4000
AP200/19	18.9	1.159	210	3000	230	3300	250	3600	650	800	3000	3500
AP200/22	21.9	1.342	200	2900	220	3150	240	3400	600	750	3000	3500
AP200/26	25.9	1.586	190	2700	210	3000	230	3300	600	750	2500	3000

AP300	Displacement		Max. pressure						n min.		n max.	
	cm <sup>3</sup> /rev	Cu. In. P. R.	P1		P2		P3		P ≤ P1	P > P1	P ≤ P1	P > P1
			bar	P.S.I.	bar	P.S.I.	bar	P.S.I.				
AP300/27	27.0	1.674	220	3150	250	3600	280	4000	600	800	3000	3500
AP300/31	31.0	1.891	220	3150	250	3600	280	4000	600	800	3000	3500
AP300/38	38.0	2.318	220	3150	250	3600	280	4000	600	800	2500	3000
AP300/45	45.0	2.745	200	2900	230	3300	260	3700	600	800	2500	3000
AP300/53	53.0	3.233	200	2900	230	3300	260	3700	600	800	2500	3000
AP300/63	63.0	3.843	180	2600	210	3000	240	3400	550	700	2500	3000
AP300/75	75.0	4.575	170	2400	190	2700	220	3150	550	700	2000	2500
AP300/93	93.0	5.673	150	2100	170	2400	200	2900	500	650	2000	2500

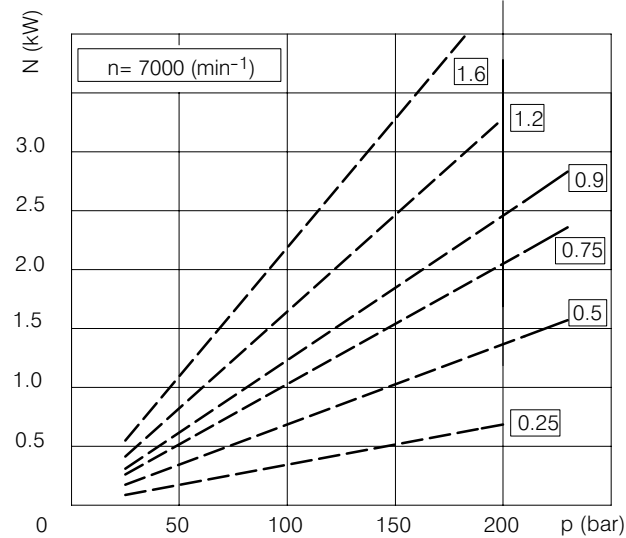
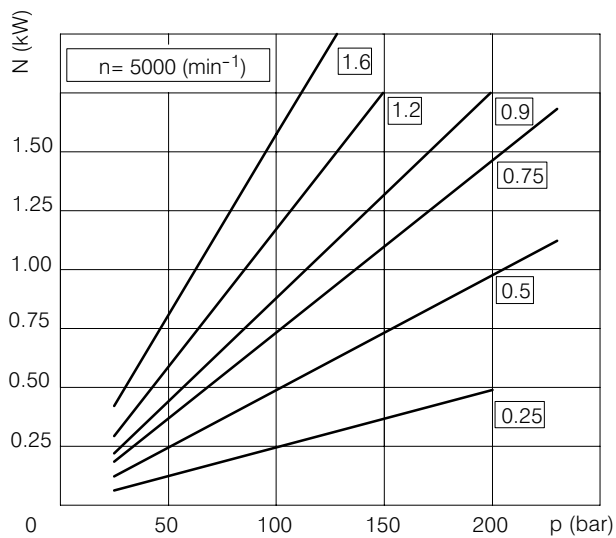
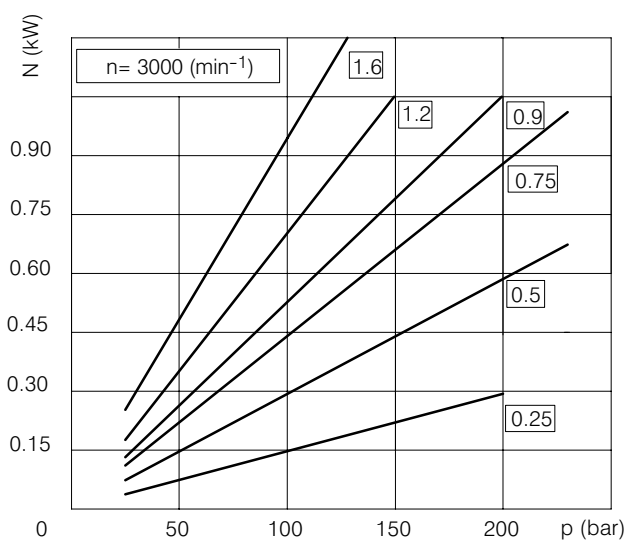
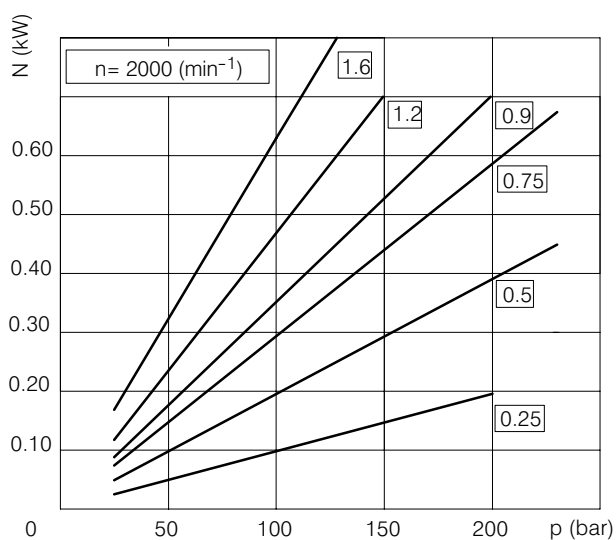
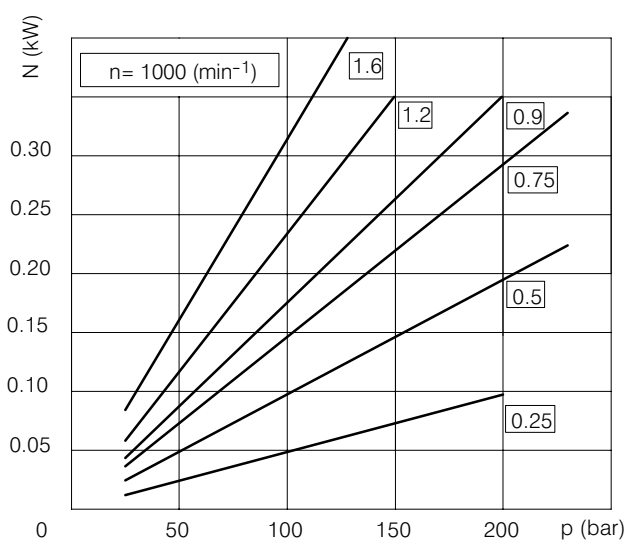
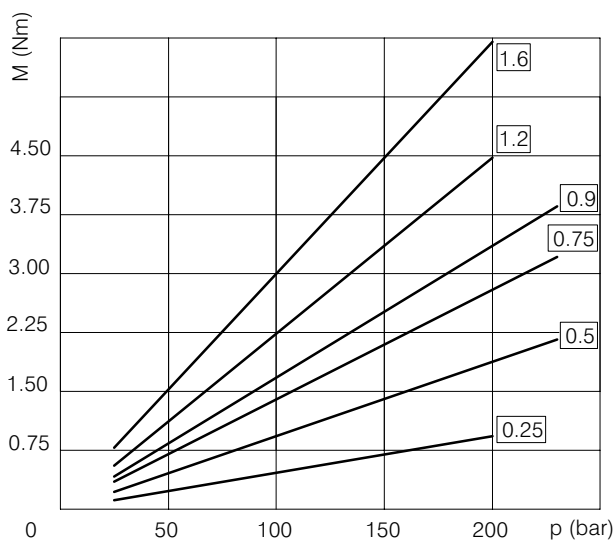
**N.B.:** Please contact our Sales Department if even one of the operating limits indicated in the tables above (temperature, pressure, rpm) is exceeded, as well as in the case of two or more maximum values at the same time, or for applications with particularly heavy-duty cycles.

**2.9 Diagrams**

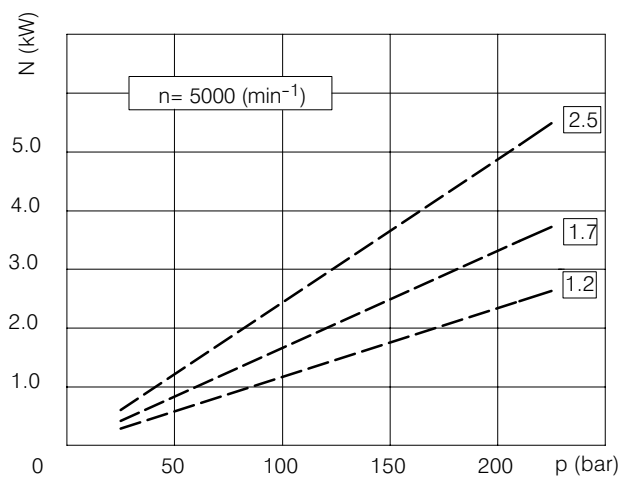
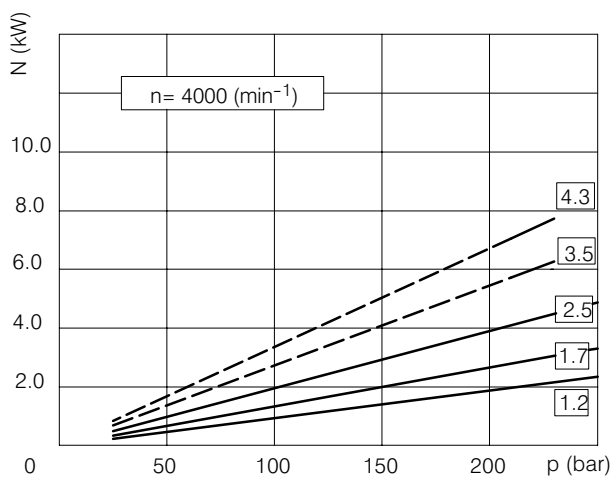
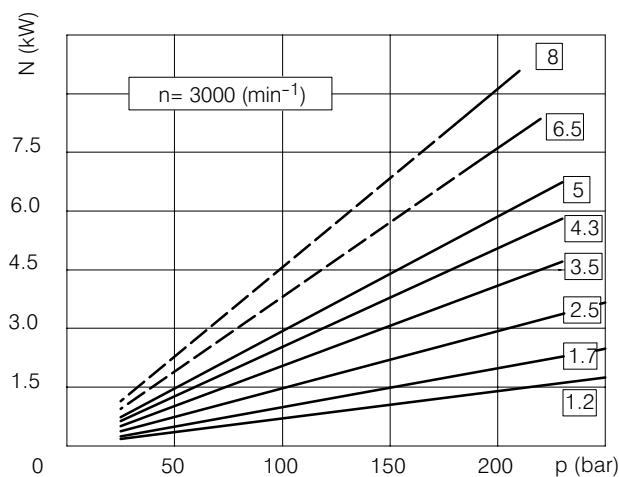
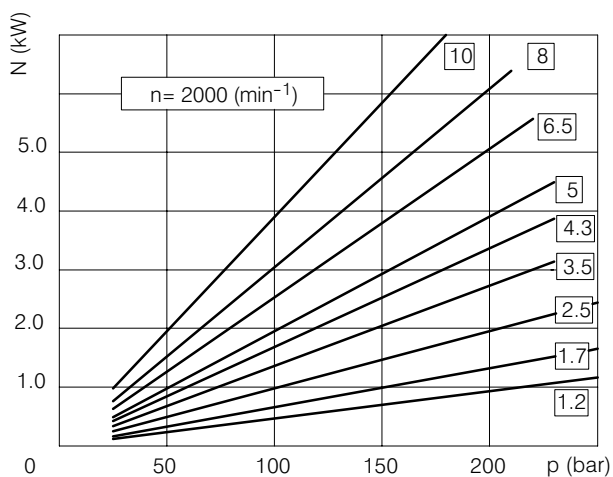
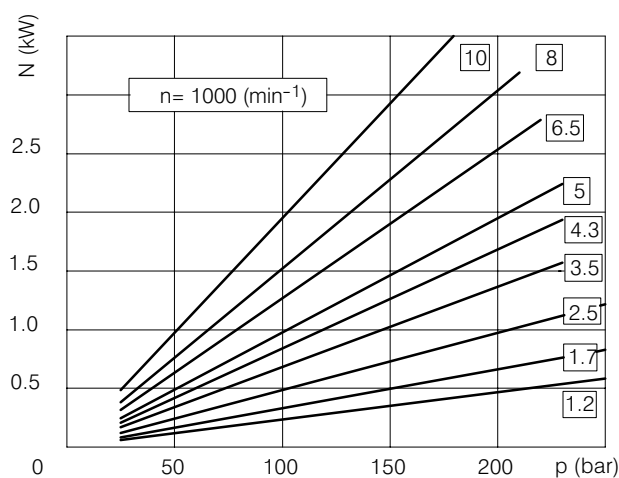
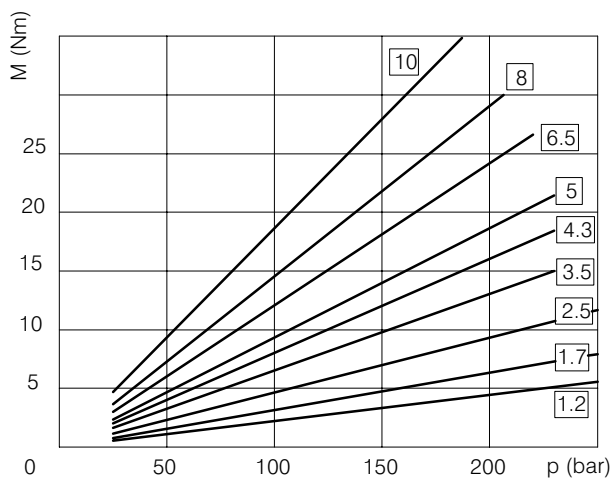
Oil viscosity: 37 mm<sup>2</sup>/s  
Oil temperature: 40° C



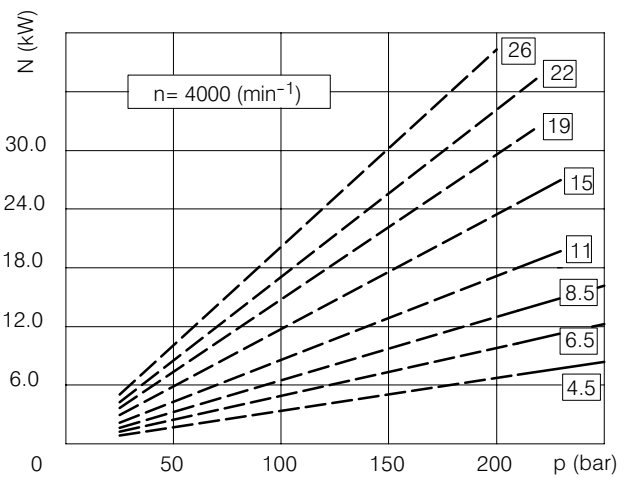
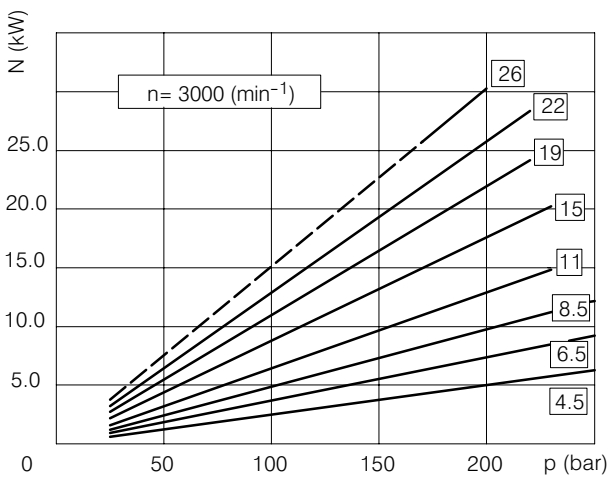
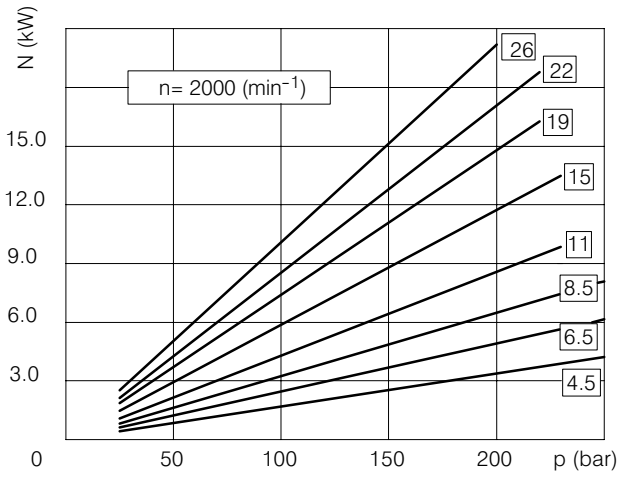
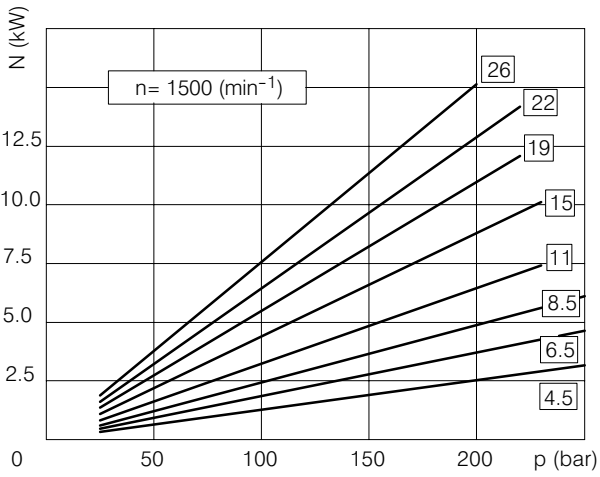
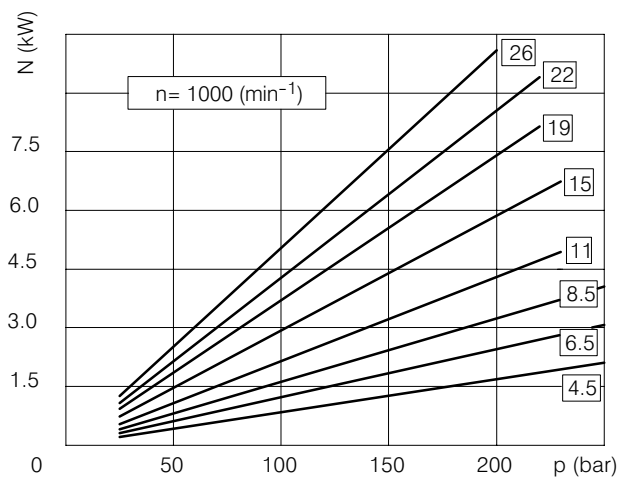
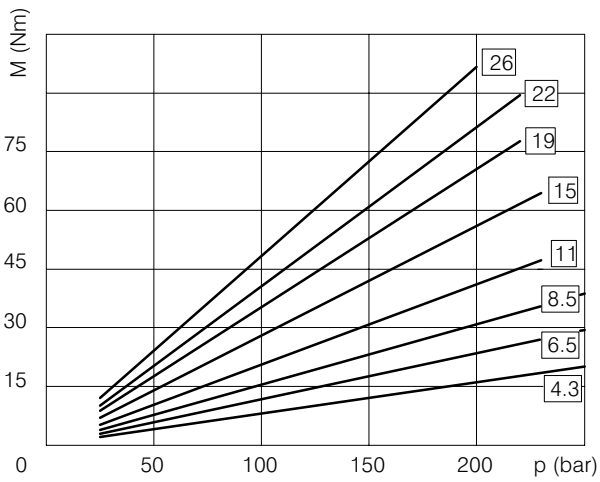
**AP05**



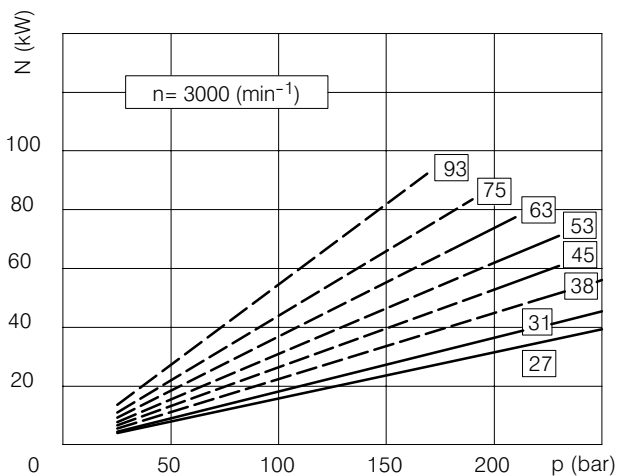
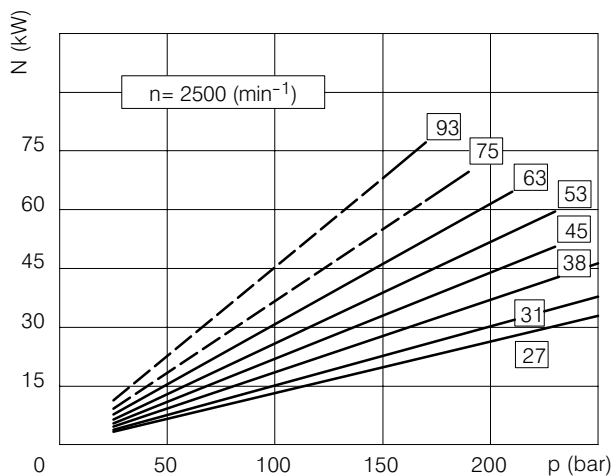
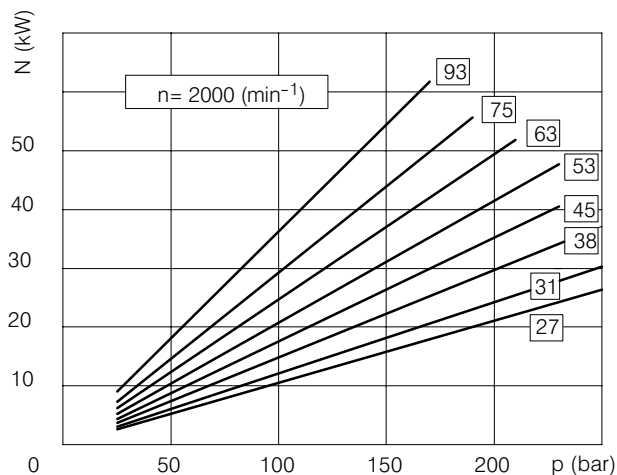
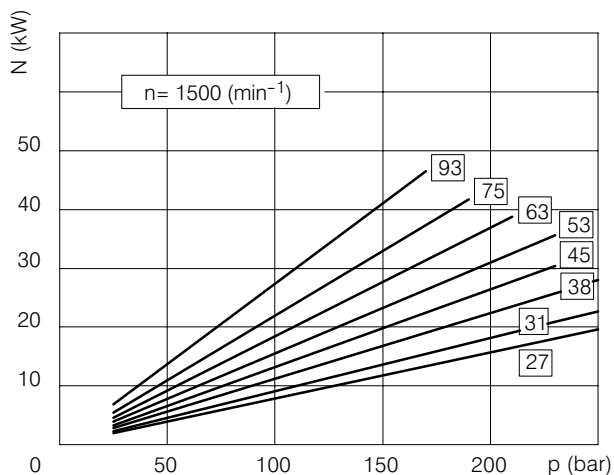
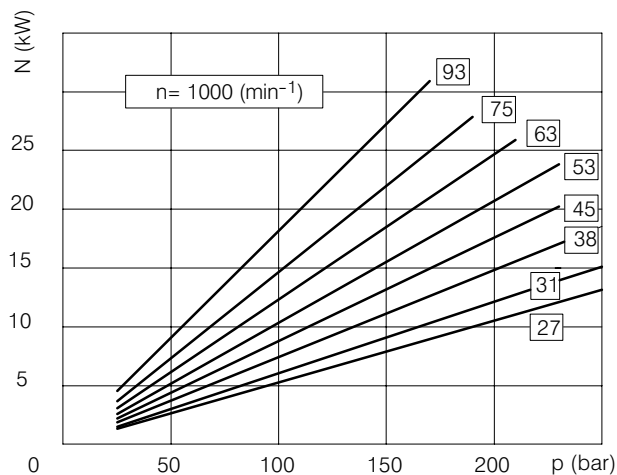
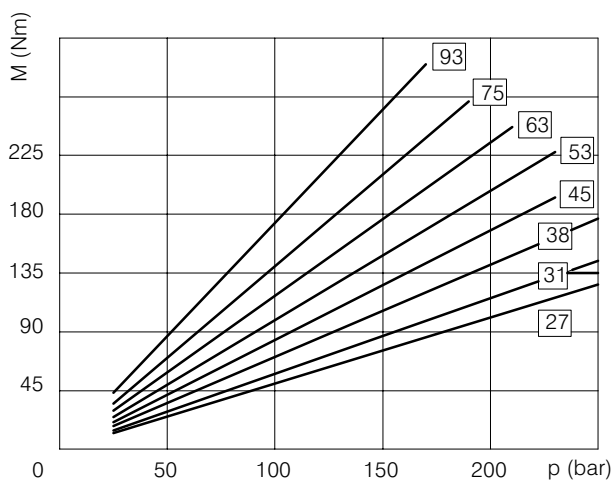
**AP100**



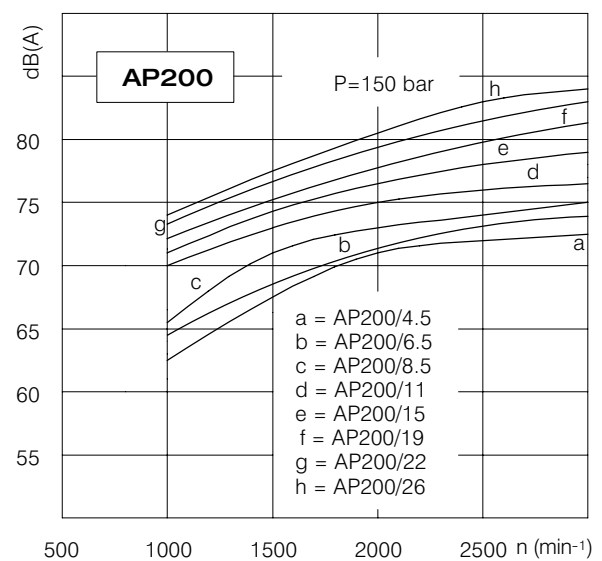
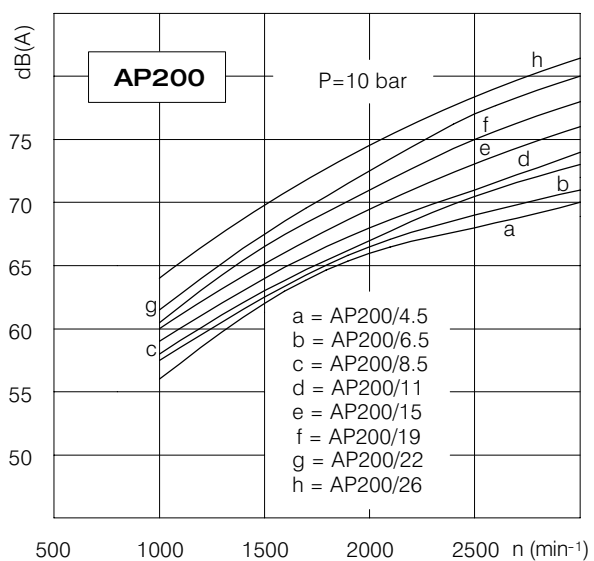
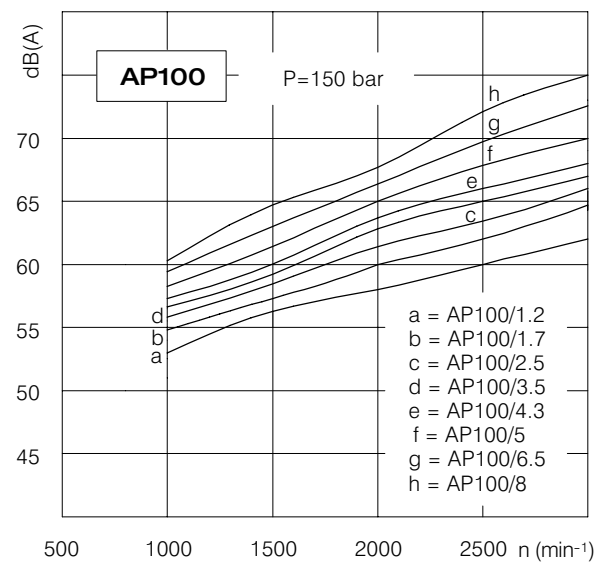
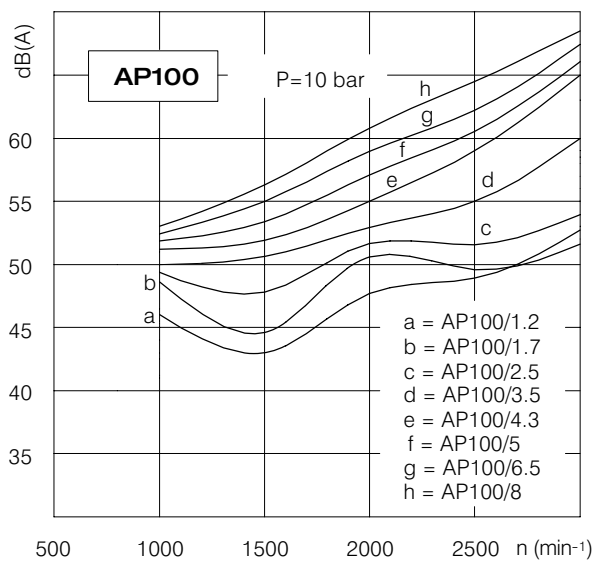
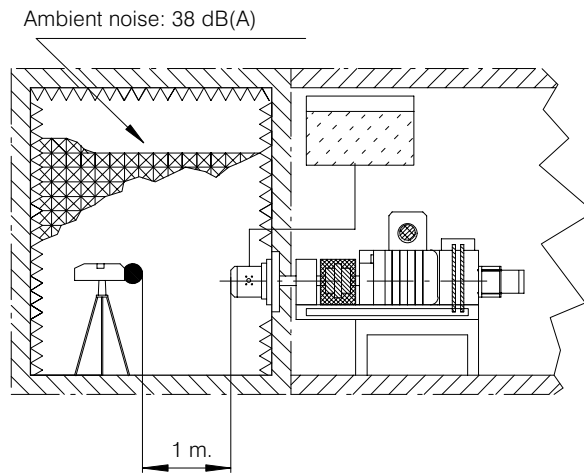
**AP200**



**AP300**



**2.10 Information about the medium level of sound pressure given out.**

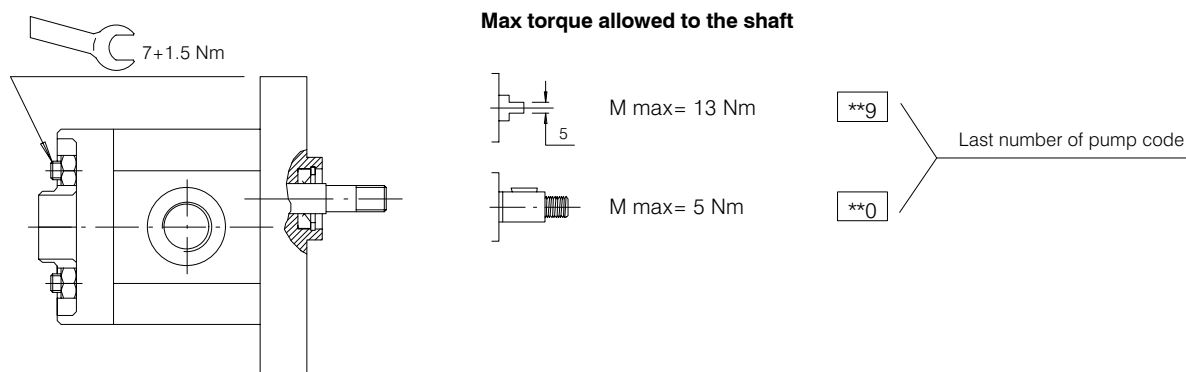




### 3 Gear pumps group AP05

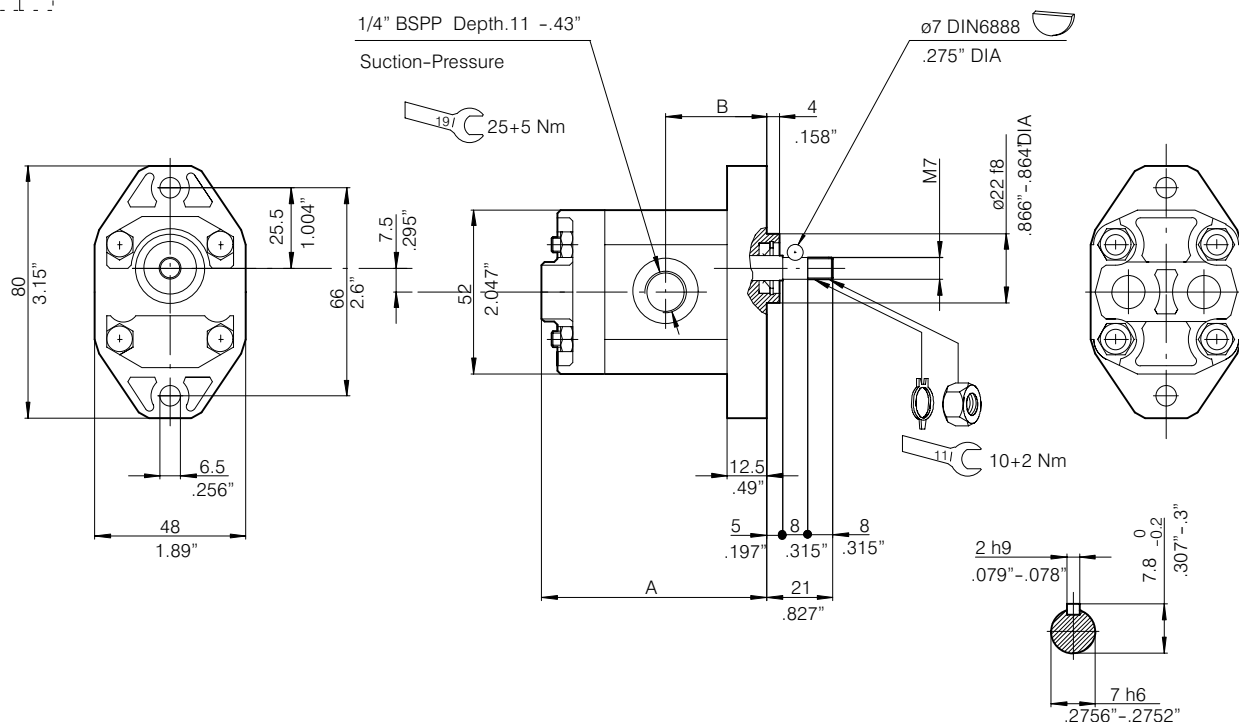
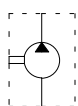


AP05 Type	Displacement		Max. pressure						n min.		n max.	
	cm <sup>3</sup> /rev	Cu.In. P.R.	P1		P2		P3		P ≤ P1	P > P1	P ≤ P1	P > P1
			bar	P.S.I.	bar	P.S.I.	bar	P.S.I.				
<b>AP05/0.25</b>	0.25	.015	170	2400	180	2600	200	2900	800	1000	6000	7000
<b>AP05/0.5</b>	0.5	.030	190	2700	210	3000	230	3300	650	800	6000	7000
<b>AP05/0.75</b>	0.75	.045	190	2700	210	3000	230	3300	650	800	6000	7000
<b>AP05/0.9</b>	0.9	.055	190	2700	210	3000	230	3300	650	800	6000	7000
<b>AP05/1.2</b>	1.2	.073	170	2400	180	2600	200	2900	550	700	5000	6000
<b>AP05/1.6</b>	1.6	.097	170	2400	180	2600	200	2900	550	700	5000	6000
<b>APR05/0.25</b>	0.25	.015	150	2200	160	2300	180	2600	800	1000	6000	7000
<b>APR05/0.5</b>	0.5	.030	170	2400	190	2700	210	3000	650	800	6000	7000
<b>APR05/0.75</b>	0.75	.045	170	2400	190	2700	210	3000	650	800	6000	7000
<b>APR0.5/0.9</b>	0.9	.055	170	2400	190	2700	210	3000	650	800	6000	7000
<b>APR05/1.2</b>	1.2	.073	150	2200	160	2300	180	2600	550	700	5000	6000



**Notes:**

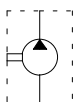
- For uses at the operating limits, see note on page 9/104.
- For codes and dimensions regarding accessories, see section 7.
- For the types of pumps without ordering code, contact our Sales Department.



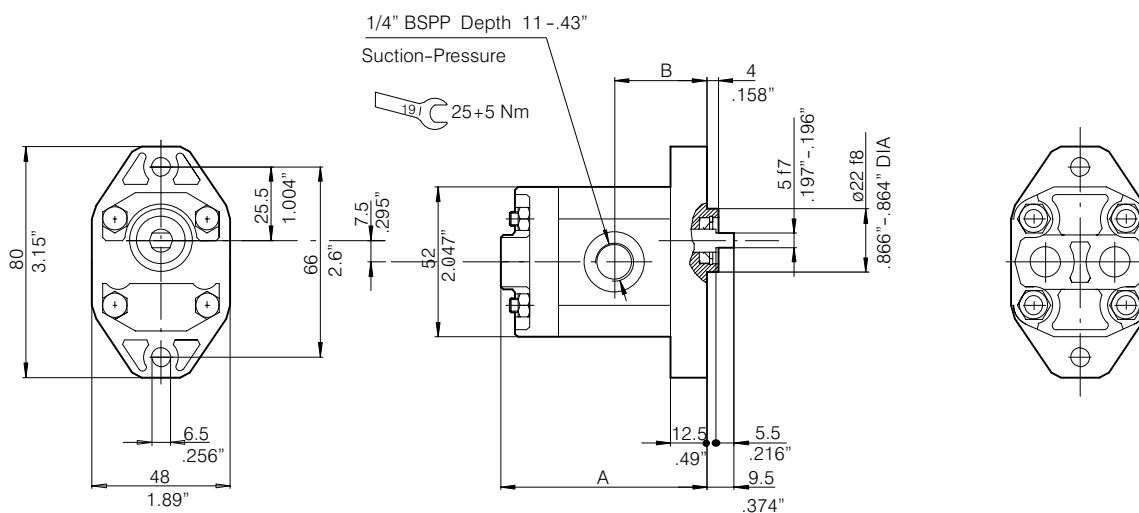
Type	Displacement cm <sup>3</sup> /rev	Dimensions			
		A		B	
		mm	inch.	mm	inch.
<b>AP05/0.25</b>	0.25	64.5	2.54	29	1.41
<b>AP05/0.5</b>	0.5	67	2.64	30.5	1.2
<b>AP05/0.75</b>	0.75	69	2.72	31.5	1.24
<b>AP05/0.9</b>	0.9	70.5	2.77	32	1.26
<b>AP05/1.2</b>	1.2	73	2.87	33.5	1.32

**Accessories**

Type	Order Code	Clockwise rotation: D	Type	Order Code	C.clockwise rotation: S	Flange connectors	Splined couplings
AP05/0.25 D	<b>200.1002.612.04</b>		AP05/0.25 S	<b>200.1002.613.02</b>			GSH-06
AP05/0.5 D	<b>200.1003.612.02</b>		AP05/0.5 S	<b>200.1003.613.02</b>			
AP05/0.75 D	<b>200.1004.612.02</b>		AP05/0.75 S	<b>200.1004.613.02</b>			
AP05/0.9 D	<b>200.1005.612.02</b>		AP05/0.9 S	<b>200.1005.613.02</b>			
AP05/1.2 D	<b>200.1006.612.02</b>		AP05/1.2 S	<b>200.1006.613.02</b>			



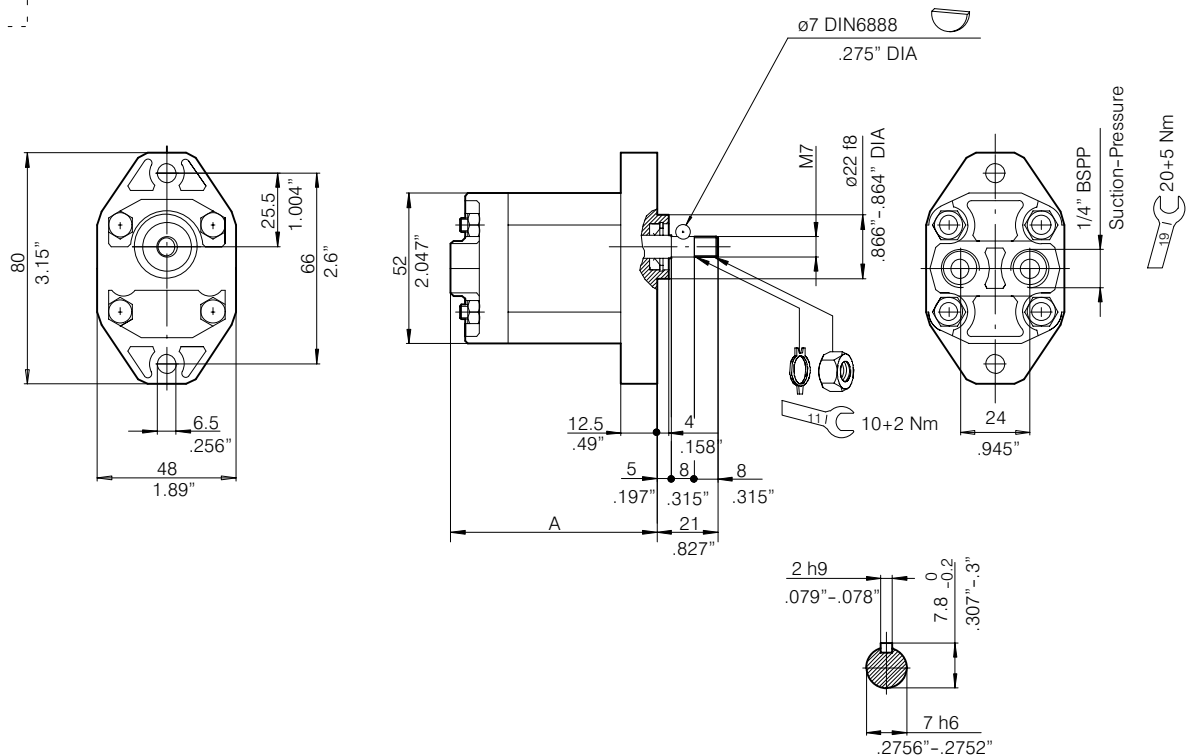
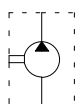
Group **AP05** Code **819**



Type	Displacement cm <sup>3</sup> /rev	Dimensions			
		A		B	
		mm	inch.	mm	inch.
<b>AP05/0.25</b>	0.25	64.5	2.54	29	1.41
<b>AP05/0.5</b>	0.5	67	2.64	30.5	1.2
<b>AP05/0.75</b>	0.75	69	2.72	31.5	1.24
<b>AP05/0.9</b>	0.9	70.5	2.77	32.3	1.26
<b>AP05/1.2</b>	1.2	73	2.87	33.5	1.32
<b>AP05/1.6</b>	1.6	77	3.03	35.5	1.40

Type	Order Code	Clockwise rotation: D	Type	Order Code	C.clockwise rotation: S
AP05/0.25 D	<b>200.1002.642.08</b>		AP05/0.25 S	<b>200.1002.643.04</b>	
AP05/0.5 D	<b>200.1003.642.02</b>		AP05/0.5 S	<b>200.1003.643.02</b>	
AP05/0.75 D	<b>200.1004.642.02</b>		AP05/0.75 S	<b>200.1004.643.02</b>	
AP05/0.9 D	<b>200.1005.642.04</b>		AP05/0.9 S	<b>200.1005.643.04</b>	
AP05/1.2 D	<b>200.1006.642.02</b>		AP05/1.2 S	<b>200.1006.643.02</b>	
AP05/1.6 D	<b>200.1008.642.02</b>		AP05/1.6 S	<b>200.1008.643.01</b>	

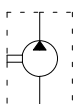
Group **AP05** Code **310**



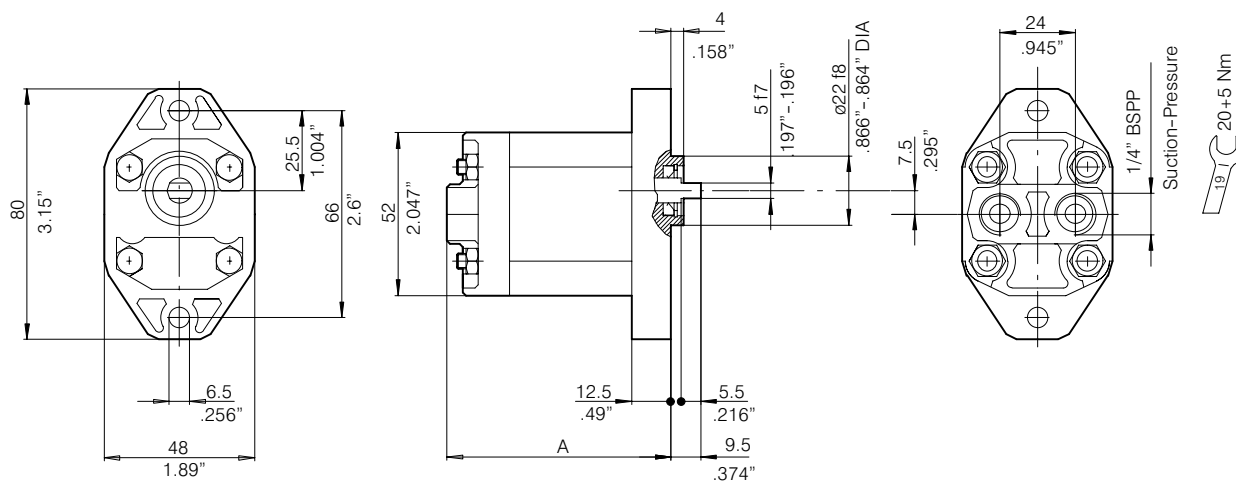
Type	Displacement cm <sup>3</sup> /rev	Dimensions	
		A	
		mm	inch.
<b>AP05/0.25</b>	0.25	64.5	2.54
<b>AP05/0.5</b>	0.5	67	2.64
<b>AP05/0.75</b>	0.75	69	2.72
<b>AP05/0.9</b>	0.9	70.5	2.77
<b>AP05/1.2</b>	1.2	73	2.87

**Accessories**

Type	Order Code	Clockwise rotation: D	Type	Order Code	C.clockwise rotation: S	Flange connectors	Splined couplings
AP05/0.25 D	<b>200.1002.612.01</b>		AP05/0.25 S	<b>200.1002.613.01</b>			GSH-06
AP05/0.5 D	<b>200.1003.612.01</b>		AP05/0.5 S	<b>200.1003.613.01</b>			
AP05/0.75 D	<b>200.1004.612.01</b>		AP05/0.75 S	<b>200.1004.613.01</b>			
AP05/0.9 D	<b>200.1005.612.01</b>		AP05/0.9 S	<b>200.1005.613.01</b>			
AP05/1.2 D	<b>200.1006.612.01</b>		AP05/1.2 S	<b>200.1006.613.01</b>			

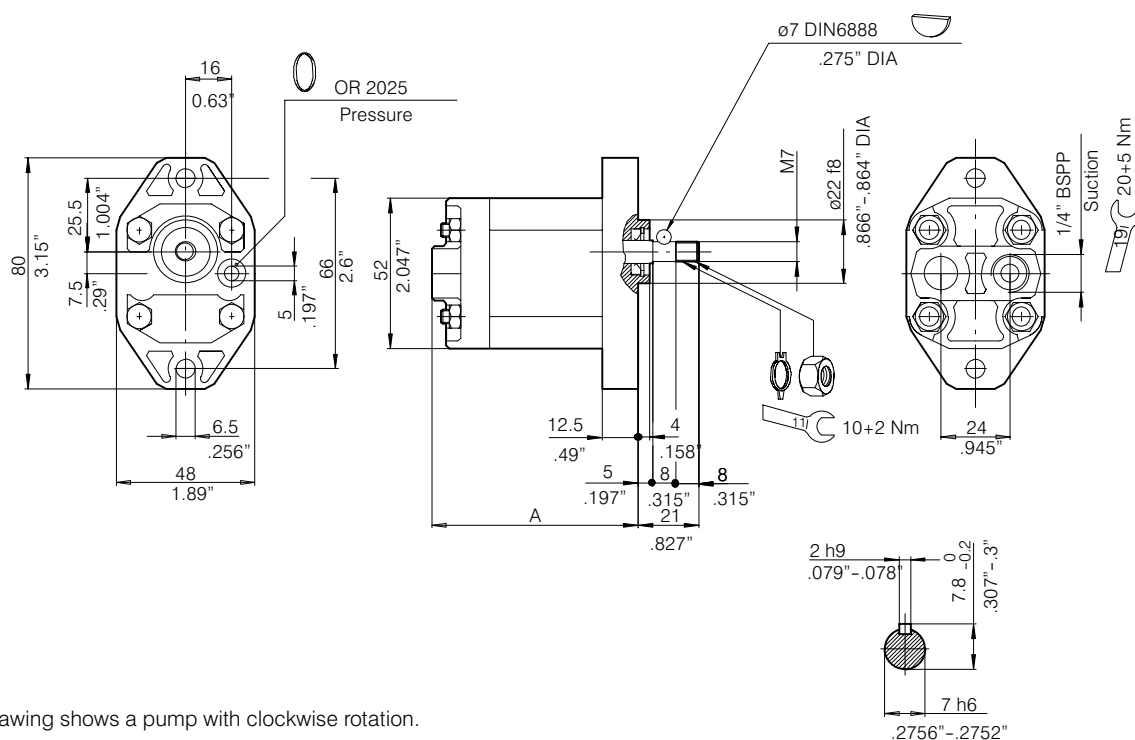
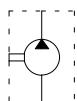


Group **AP05** Code **319**



Type	Displacement cm <sup>3</sup> /rev	Dimensions	
		A	
		mm	inch.
<b>AP05/0.25</b>	0.25	64.5	2.54
<b>AP05/0.5</b>	0.5	67	2.64
<b>AP05/0.75</b>	0.75	69	2.72
<b>AP05/0.9</b>	0.9	70.5	2.77
<b>AP05/1.2</b>	1.2	73	2.87
<b>AP05/1.6</b>	1.6	77	3.03

Type	Order Code	Clockwise rotation: D	Type	Order Code	C.clockwise rotation: S
AP05/0.25 D	<b>200.1002.142.02</b>		AP05/0.25 S	<b>200.1002.143.01</b>	
AP05/0.5 D	<b>200.1003.142.01</b>		AP05/0.5 S	<b>200.1003.143.01</b>	
AP05/0.75 D	<b>200.1004.142.01</b>		AP05/0.75 S	<b>200.1004.143.01</b>	
AP05/0.9 D	<b>200.1005.142.01</b>		AP05/0.9 S	<b>200.1005.143.01</b>	
AP05/1.2 D	<b>200.1006.142.01</b>		AP05/1.2 S	<b>200.1006.143.01</b>	
AP05/1.6 D	<b>200.1008.142.01</b>		AP05/1.6 S	<b>200.1008.143.01</b>	

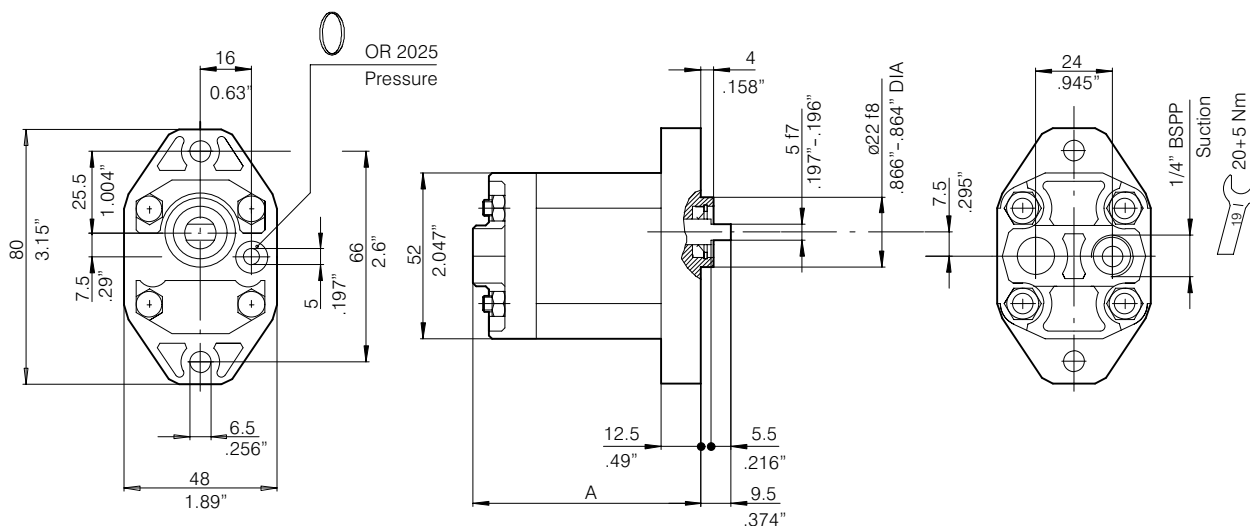
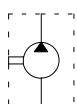


The drawing shows a pump with clockwise rotation.

Type	Displacement cm <sup>3</sup> /rev	Dimensions	
		A	
		mm	inch.
<b>AP05/0.25</b>	0.25	64.5	2.54
<b>AP05/0.5</b>	0.5	67	2.64
<b>AP05/0.75</b>	0.75	69	2.72
<b>AP05/0.9</b>	0.9	70.5	2.77
<b>AP05/1.2</b>	1.2	73	2.87

**Accessories**

Type	Order Code	Clockwise rotation: D	Type	Order Code	C.clockwise rotation: S	Flange connectors	Splined couplings
AP05/0.25 D			AP05/0.25 S	<b>200.1002.613.04</b>			GSH-06
AP05/0.5 D			AP05/0.5 S	<b>200.1003.613.04</b>			
AP05/0.75 D			AP05/0.75 S				
AP05/0.9 D	<b>200.1005.612.04</b>		AP05/0.9 S				
AP05/1.2 D			AP05/1.2 S				



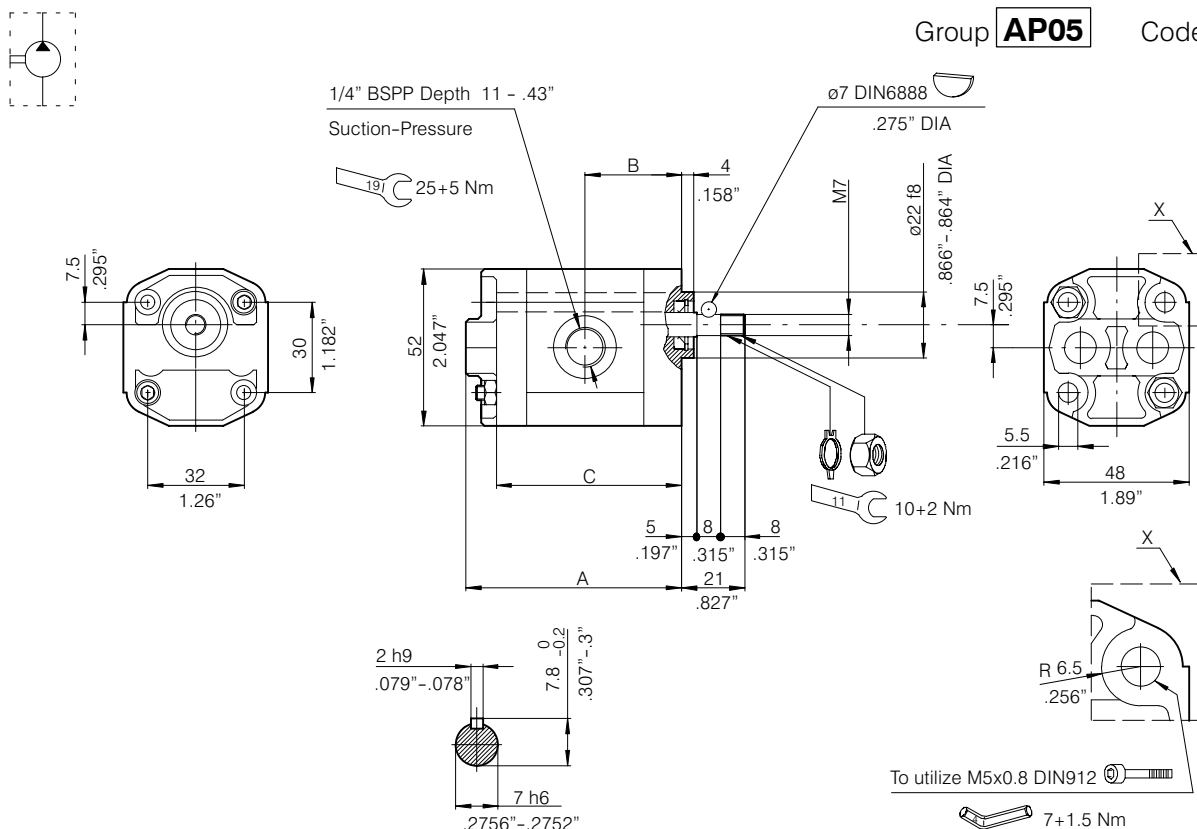
The drawing shows a pump with clockwise rotation.

Type	Displacement cm <sup>3</sup> /rev	Dimensions	
		A	
		mm	inch.
<b>AP05/0.25</b>	0.25	64.5	2.54
<b>AP05/0.5</b>	0.5	67	2.64
<b>AP05/0.75</b>	0.75	69	2.72
<b>AP05/0.9</b>	0.9	70.5	2.77
<b>AP05/1.2</b>	1.2	73	2.87
<b>AP05/1.6</b>	1.6	77	3.03

Type	Order Code	Clockwise rotation: D	Type	Order Code	C.clockwise rotation: S
AP05/0.25 D			AP05/0.25 S		
AP05/0.5 D	<b>200.1003.642.03</b>				
AP05/0.75 D					
AP05/0.9 D					
AP05/1.2 D					
AP05/1.6 D					
			AP05/0.5 S	<b>200.1003.643.04</b>	
			AP05/0.75 S	<b>200.1004.643.03</b>	
			AP05/0.9 S		
			AP05/1.2 S		
			AP05/1.6 S	<b>200.1008.643.02</b>	

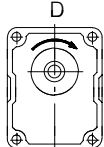
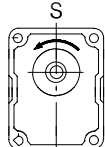


Group **AP05** Code **830**

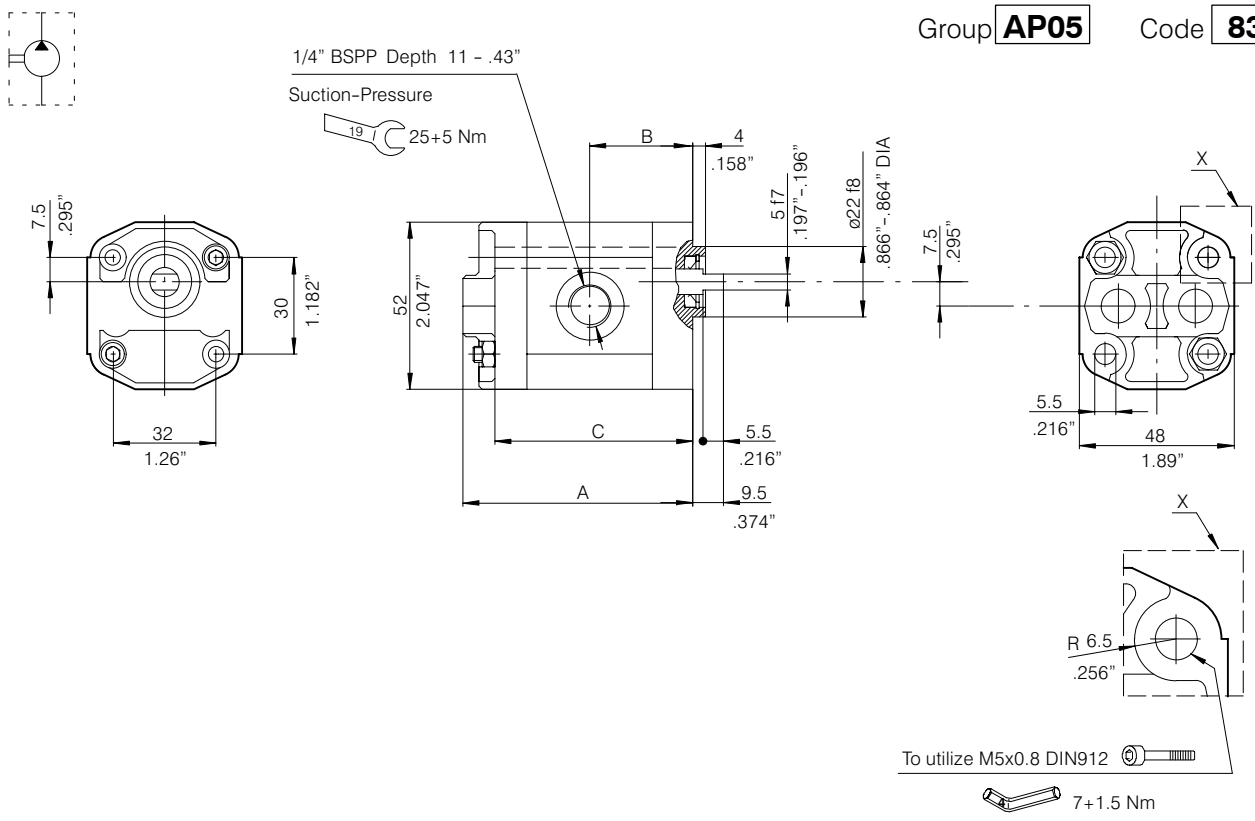


Type	Displacement cm <sup>3</sup> /rev	Dimensions					
		A		B		C	
		mm	inch.	mm	inch.	mm	inch.
<b>AP05/0.25</b>	0.25	64.5	2.54	29	1.41	53.5	2.11
<b>AP05/0.5</b>	0.5	67	2.64	30.5	1.2	56	2.20
<b>AP05/0.75</b>	0.75	69	2.72	31.5	1.24	58	2.28
<b>AP05/0.9</b>	0.9	70.5	2.77	32	1.26	59.5	2.34
<b>AP05/1.2</b>	1.2	73	2.87	33.5	1.32	62	2.44

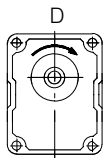
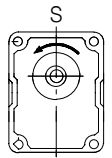
**Accessories**

Type	Order Code	Clockwise rotation: D	Type	Order Code	C.clockwise rotation: S	Flange connectors	Splined couplings
AP05/0.25 D	<b>200.1002.302.01</b>		AP05/0.25 S	<b>200.1002.303.01</b>			GSH-06
AP05/0.5 D			AP05/0.5 S	<b>200.1003.303.01</b>			
AP05/0.75 D			AP05/0.75 S				
AP05/0.9 D			AP05/0.9 S				
AP05/1.2 D			AP05/1.2 S	<b>200.1006.313.01</b>			

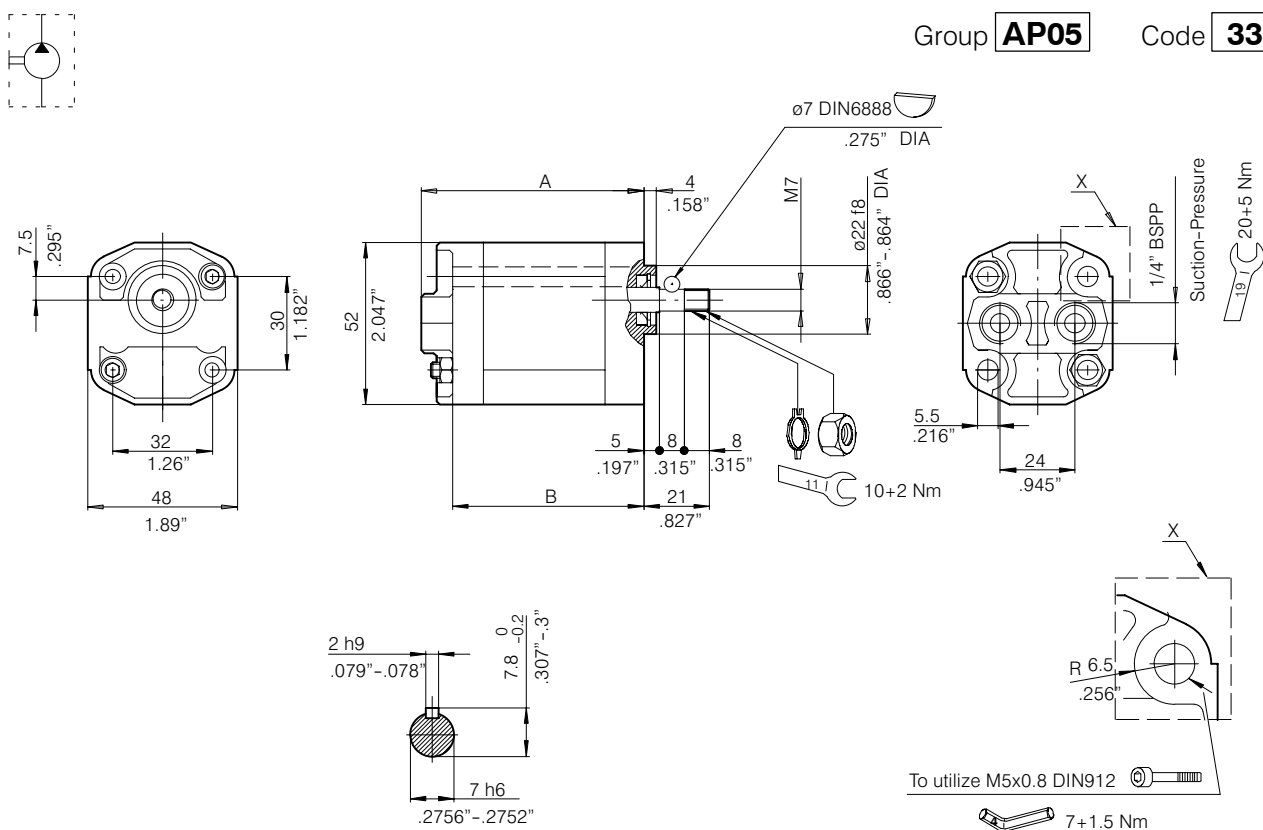
Group **AP05** Code **839**



Type	Displacement cm <sup>3</sup> /rev	Dimensions					
		A		B		C	
		mm.	inch.	mm	inch.	mm	inch.
<b>AP05/0.25</b>	0.25	64.5	2.54	29	1.41	53.5	2.11
<b>AP05/0.5</b>	0.5	67	2.64	30.5	1.2	56	2.20
<b>AP05/0.75</b>	0.75	69	2.72	31.5	1.24	58	2.28
<b>AP05/0.9</b>	0.9	70.5	2.77	32	1.26	59.5	2.34
<b>AP05/1.2</b>	1.2	73	2.87	33.5	1.32	62	2.44
<b>AP05/1.6</b>	1.6	77	3.03	35.5	1.40	66	2.60

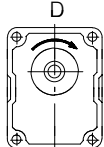
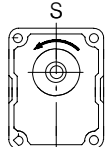
Type	Order Code	Clockwise rotation: D	Type	Order Code	C.clockwise rotation: S
AP05/0.25 D			AP05/0.25 S		
AP05/0.5 D	<b>200.1003.342.01</b>		AP05/0.5 S		
AP05/0.75 D	<b>200.1004.342.01</b>		AP05/0.75 S	<b>200.1004.343.04</b>	
AP05/0.9 D	<b>200.1005.342.01</b>		AP05/0.9 S	<b>200.1005.343.02</b>	
AP05/1.2 D	<b>200.1006.342.04</b>		AP05/1.2 S	<b>200.1006.343.01</b>	
AP05/1.6 D	<b>200.1008.342.01</b>		AP05/1.6 S	<b>200.1008.343.01</b>	

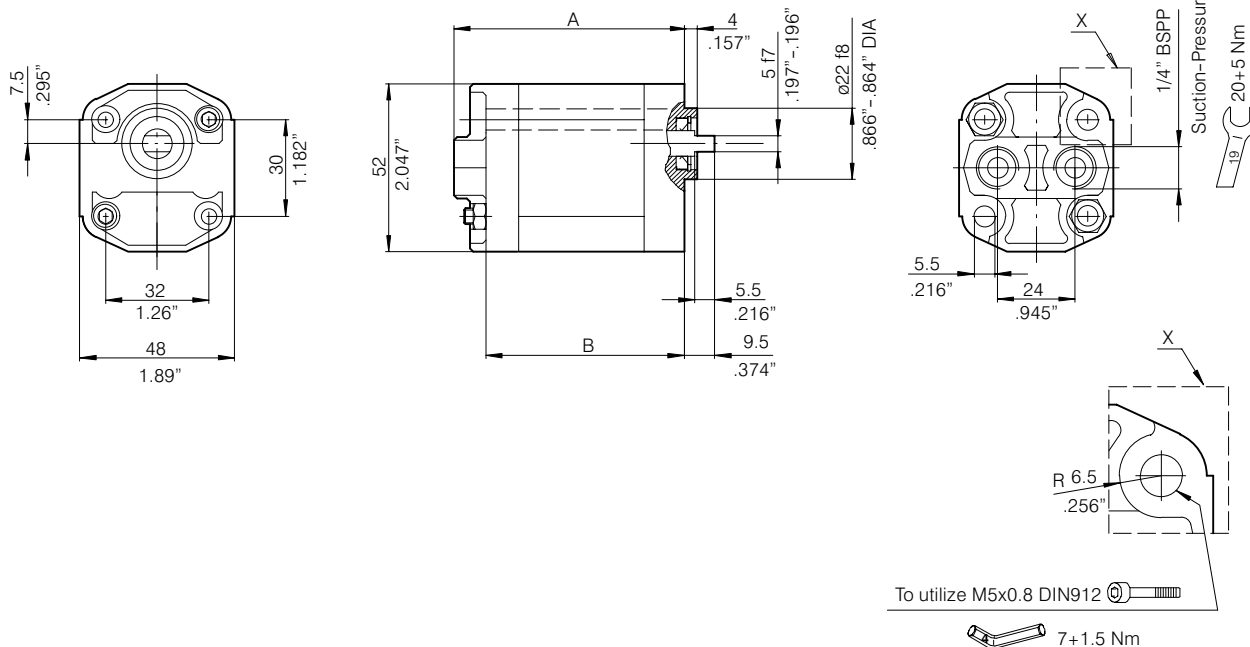
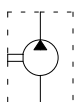
Group **AP05** Code **330**



Type	Displacement cm <sup>3</sup> /rev	Dimensions			
		A		B	
		mm	inch.	mm	inch.
<b>AP05/0.25</b>	0.25	64.5	2.54	53.5	2.11
<b>AP05/0.5</b>	0.5	67	2.64	56	2.20
<b>AP05/0.75</b>	0.75	69	2.72	58	2.28
<b>AP05/0.9</b>	0.9	70.5	2.77	59.5	2.34
<b>AP05/1.2</b>	1.2	73	2.87	62	2.44

**Accessories**

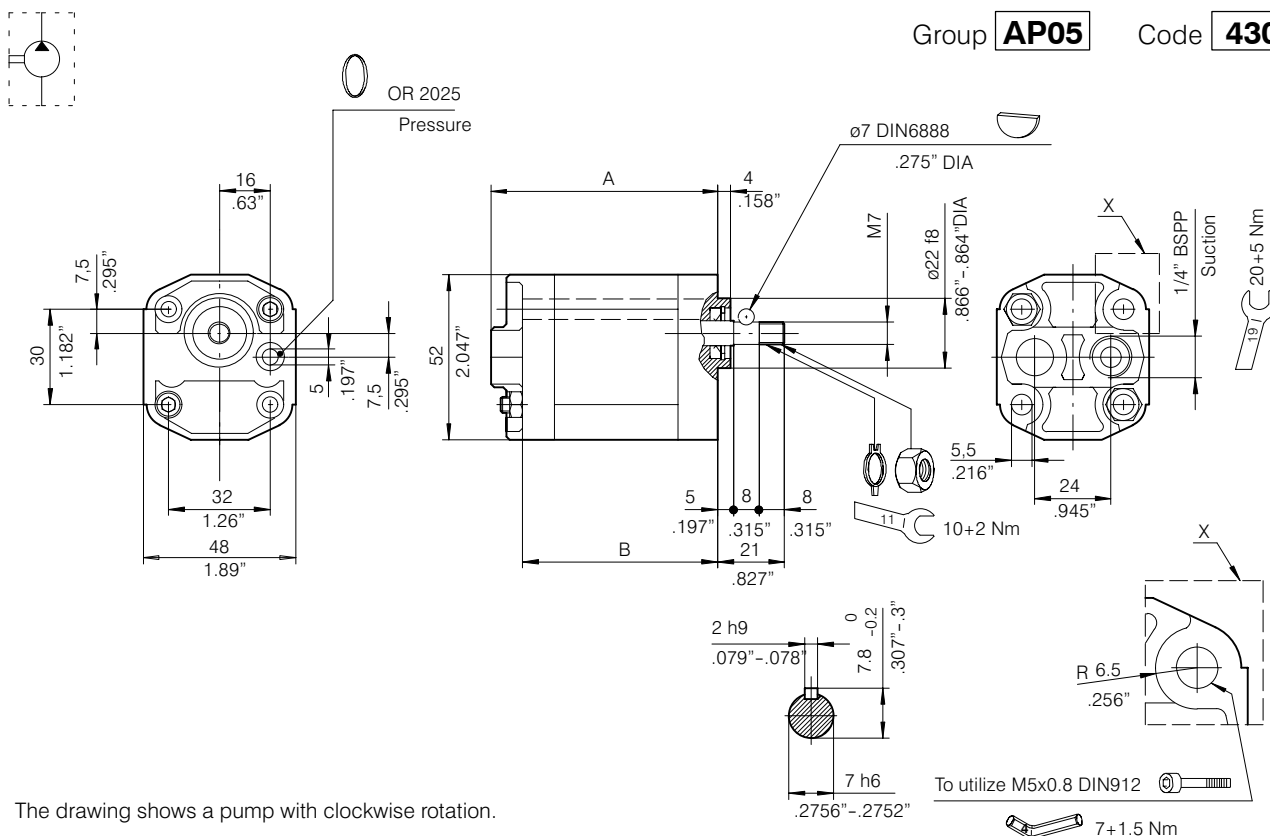
Type	Order Code	Clockwise rotation: D	Type	Order Code	C.clockwise rotation: S	Flange connectors	Splined couplings
AP05/0.25 D			AP05/0.25 S				GSH-06
AP05/0.5 D			AP05/0.5 S				
AP05/0.75 D			AP05/0.75 S				
AP05/0.9 D	<b>200.1005.312.01</b>		AP05/0.9 S				
AP05/1.2 D			AP05/1.2 S				



Type	Displacement cm <sup>3</sup> /rev	Dimensions			
		A		B	
		mm	inch.	mm	inch.
<b>AP05/0.25</b>	0.25	64.5	2.54	53.5	2.11
<b>AP05/0.5</b>	0.5	67	2.64	56	2.20
<b>AP05/0.75</b>	0.75	69	2.72	58	2.28
<b>AP05/0.9</b>	0.9	70.5	2.77	59.5	2.34
<b>AP05/1.2</b>	1.2	73	2.87	62	2.44
<b>AP05/1.6</b>	1.6	77	3.03	66	2.60

Type	Order Code	Clockwise rotation: D	Type	Order Code	C.clockwise rotation: S
AP05/0.25 D	<b>200.1002.342.01</b>		AP05/0.25 S	<b>200.1002.343.03</b>	
AP05/0.5 D	<b>200.1003.342.03</b>		AP05/0.5 S	<b>200.1003.343.03</b>	
AP05/0.75 D	<b>200.1004.342.02</b>		AP05/0.75 S	<b>200.1004.343.02</b>	
AP05/0.9 D	<b>200.1005.342.03</b>		AP05/0.9 S	<b>200.1005.343.03</b>	
AP05/1.2 D	<b>200.1006.342.03</b>		AP05/1.2 S	<b>200.1006.343.03</b>	
AP05/1.6 D	<b>200.1008.342.02</b>		AP05/1.6 S	<b>200.1008.343.02</b>	

Group **AP05** Code **430**

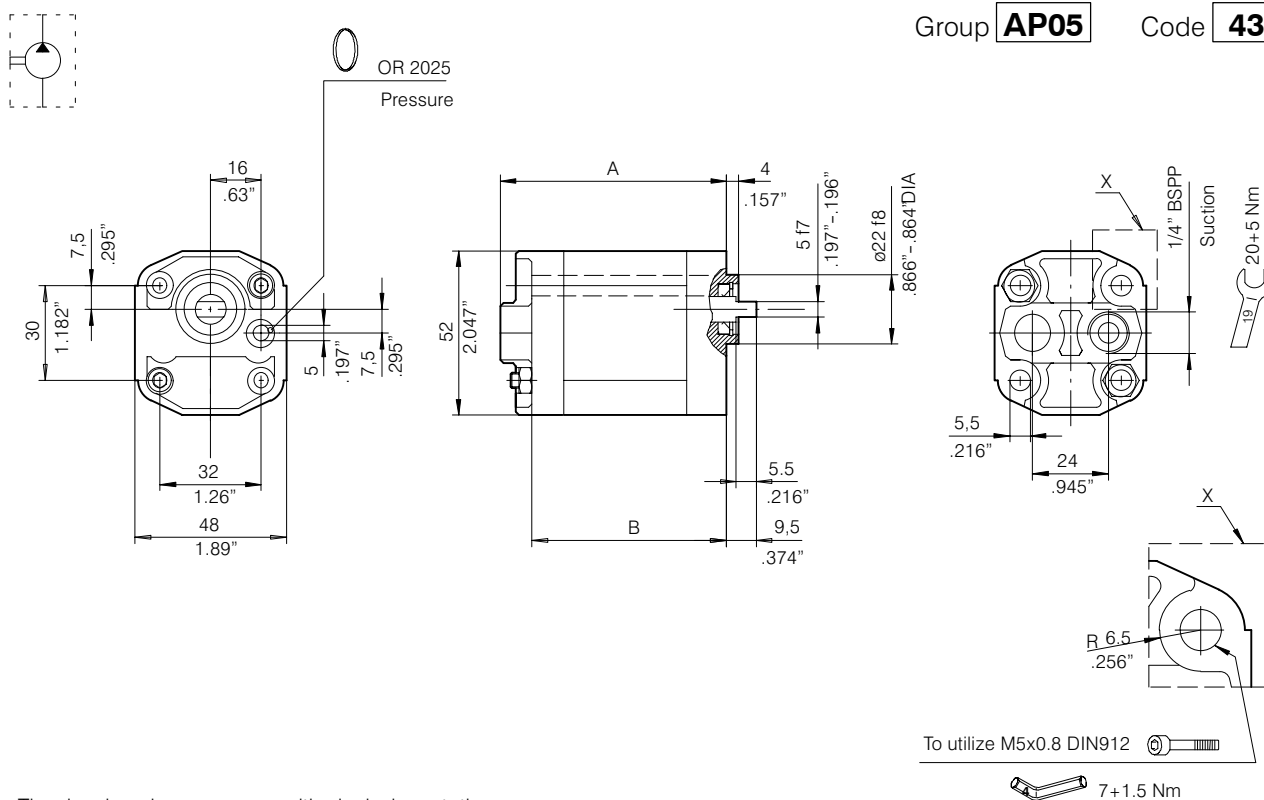


Type	Displacement cm <sup>3</sup> /rev	Dimensions			
		A		B	
		mm	inch.	mm	inch.
<b>AP05/0.25 D</b>	0.25	64.5	2.54	53.5	2.11
<b>AP05/0.5 D</b>	0.5	67	2.64	56	2.20
<b>AP05/0.75 D</b>	0.75	69	2.72	58	2.28
<b>AP05/0.9 D</b>	0.9	70.5	2.77	59.5	2.34
<b>AP05/1.2 D</b>	1.2	73	2.87	62	2.44

**Accessories**

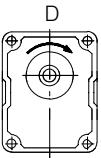
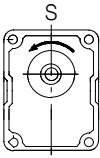
Type	Order Code	Clockwise rotation: D	Type	Order Code	C.clockwise rotation: S	Flange connectors	Splined couplings
AP05/0.25 D			AP05/0.25 S				GSH-06
AP05/0.5 D			AP05/0.5 S				
AP05/0.75 D			AP05/0.75 S				
AP05/0.9 D			AP05/0.9 S				
AP05/1.2 D			AP05/1.2 S				

Group **AP05** Code **439**



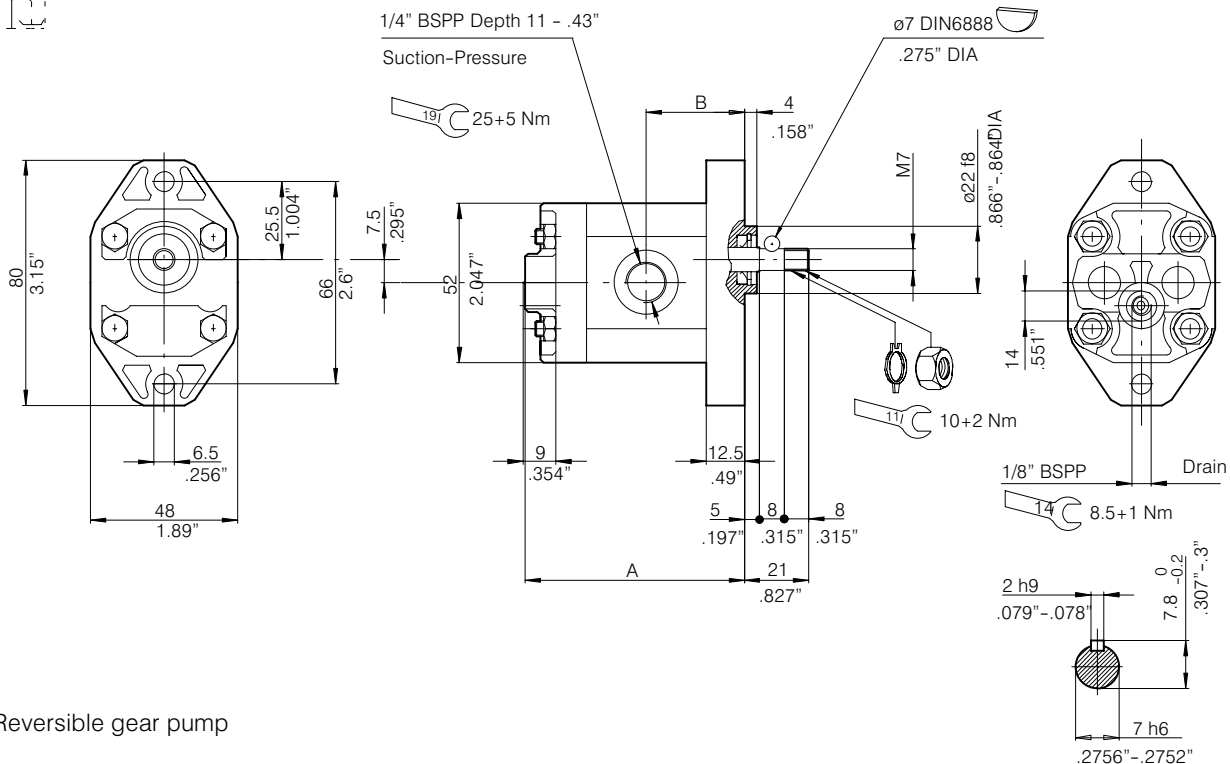
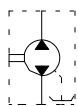
The drawing shows a pump with clockwise rotation.

Type	Displacement cm <sup>3</sup> /rev	Dimensions			
		A		B	
		mm	inch.	mm	inch.
<b>AP05/0.25 D</b>	0.25	64.5	2.54	53.5	2.11
<b>AP05/0.5 D</b>	0.5	67	2.64	56	2.20
<b>AP05/0.75 D</b>	0.75	69	2.72	58	2.28
<b>AP05/0.9 D</b>	0.9	70.5	2.77	59.5	2.34
<b>AP05/1.2 D</b>	1.2	73	2.87	62	2.44
<b>AP05/1.6 D</b>	1.6	77	3.03	66	2.60

Type	Order Code	Clockwise rotation: D	Type	Order Code	C.clockwise rotation: S
AP05/0.25 D	<b>200.1002.342.02</b>		AP05/0.25 S	<b>200.1002.343.02</b>	
AP05/0.5 D	<b>200.1003.342.02</b>		AP05/0.5 S	<b>200.1003.343.02</b>	
AP05/0.75 D			AP05/0.75 S	<b>200.1004.343.03</b>	
AP05/0.9 D	<b>200.1005.342.02</b>		AP05/0.9 S		
AP05/1.2 D	<b>200.1006.342.02</b>		AP05/1.2 S		
AP05/1.6 D			AP05/1.6 S		

Group **APR05**

Code **810**



Reversible gear pump

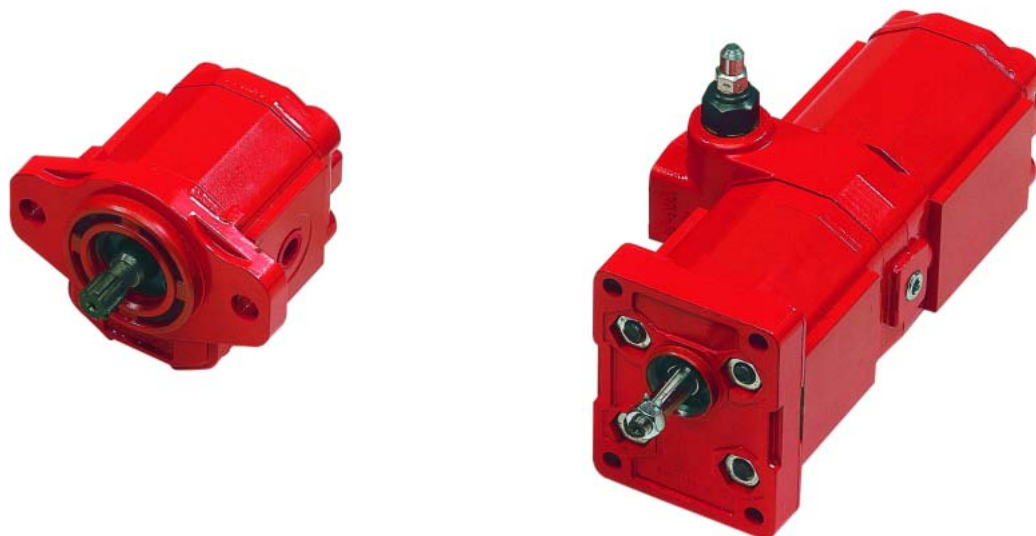
Type	Displacement cm <sup>3</sup> /rev	Dimensions			
		A		B	
		mm	inch.	mm	inch.
<b>APR05/0.25</b>	0.25	64.5	2.54	29	1.41
<b>APR05/0.5</b>	0.5	67	2.64	30.5	1.20
<b>APR05/0.75</b>	0.75	69	2.72	31.5	1.94
<b>APR05/0.9</b>	0.9	70.5	2.77	32.3	1.26
<b>APR05/1.2</b>	1.2	73	2.87	33.5	1.32

**Accessories**

Type	Order Code	Reversible gear pump: R	Flange connectors	Splined couplings
APR05/0.25	<b>200.1002.611.01</b>			GSH-06
APR05/0.5	<b>200.1003.611.01</b>			
APR05/0.75	<b>200.1004.611.01</b>			
APR05/0.9	<b>200.1005.611.01</b>			
APR05/1.2	<b>200.1006.611.01</b>			

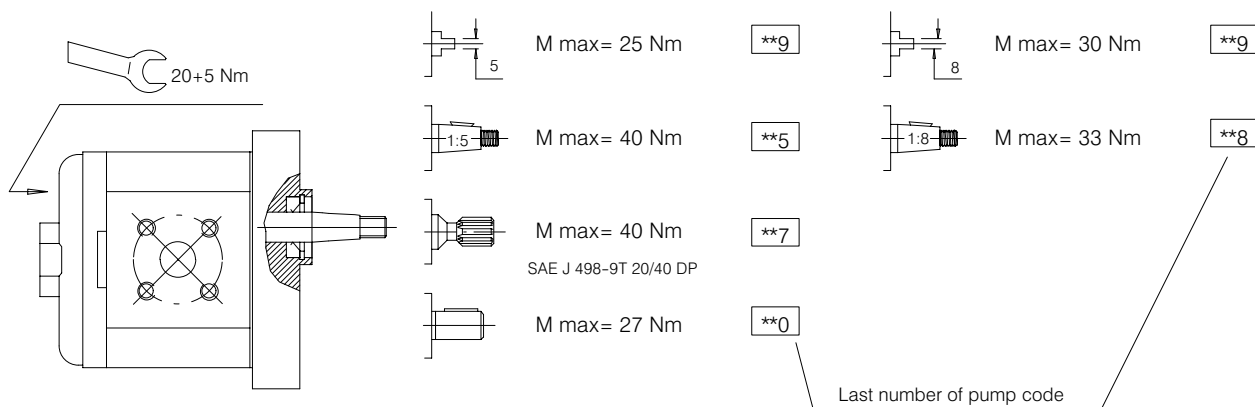


## 4 Gear pumps group AP100



AP100 Type	Displacement		Max. pressure						n min.		n max.	
	cm <sup>3</sup> /rev	Cu.In. P.R.	P1		P2		P3		P ≤ P1	P > P1	P ≤ P1	P > P1
			bar	P.S.I.	bar	P.S.I.	bar	P.S.I.				
AP100/1.2	1.2	.073	210	3000	250	3600	280	4000	800	1000	4500	5000
AP100/1.7	1.7	.103	210	3000	250	3600	280	4000	650	800	4500	5000
AP100/2.5	2.5	.152	210	3000	250	3600	280	4000	650	800	4500	5000
AP100/3.5	3.5	.213	210	3000	230	3300	250	3600	650	800	3500	4000
AP100/4.3	4.3	.262	210	3000	230	3300	250	3600	550	700	3500	4000
AP100/5	5	.305	210	3000	230	3300	250	3600	500	650	3000	3500
AP100/6.5	6.5	.396	190	2700	220	3150	240	3400	500	650	2500	3000
AP100/8	7.8	.476	180	2600	210	3000	230	3300	500	650	2500	3000
AP100/10	10	.610	150	2150	180	2600	200	2900	500	650	2000	2500

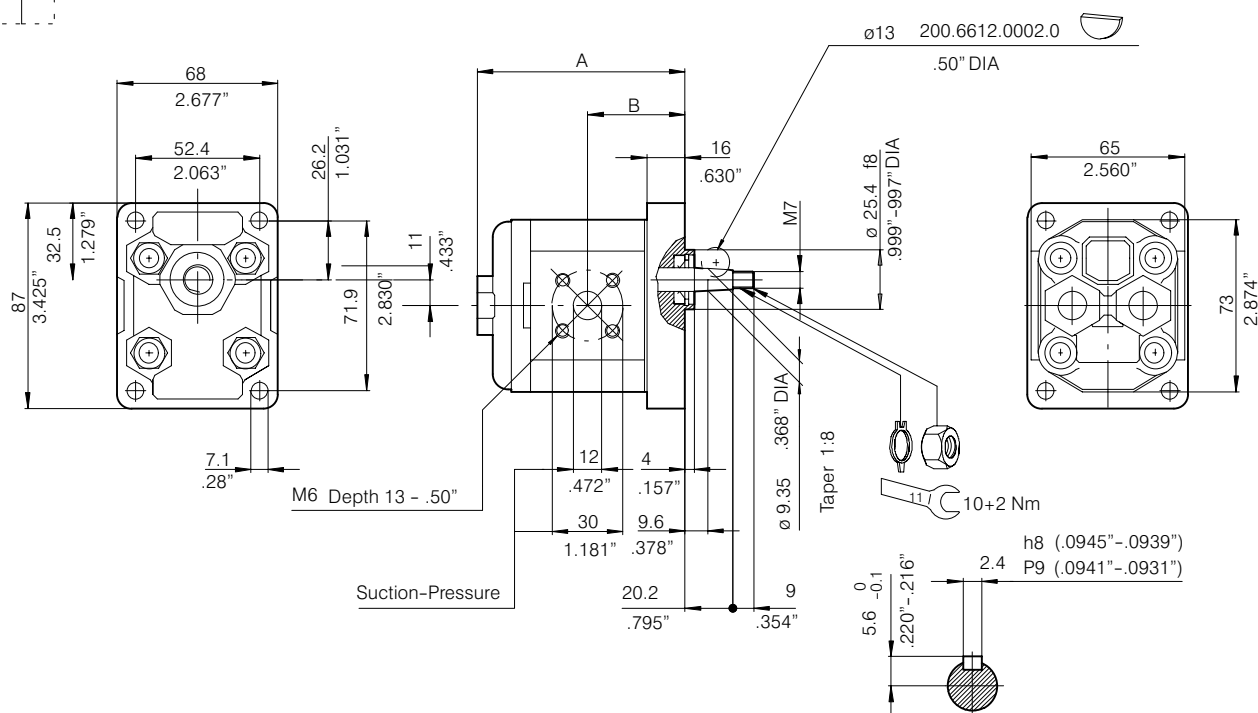
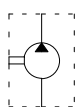
### Max torque allowed to the shaft



#### Notes:

- For uses at the operating limits, see note on page 9/104.
- For codes and dimensions regarding accessories, see section 7.
- For the types of pumps without ordering code, contact our Sales Department.

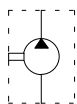
Group **AP100** Code **218**



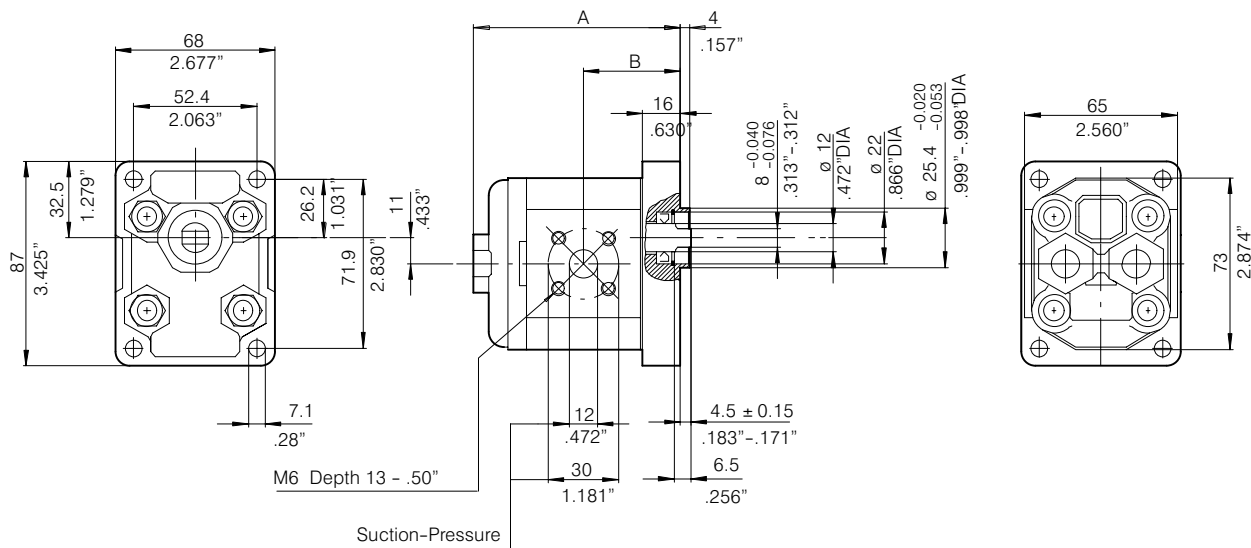
Type	Displacement cm <sup>3</sup> /rev	Dimensions			
		A		B	
		mm	inch.	mm	inch.
<b>AP100/1.2</b>	1.2	82.5	3.25	38.5	1.51
<b>AP100/1.7</b>	1.7	84.5	3.33	39.5	1.55
<b>AP100/2.5</b>	2.5	88	3.46	41	1.61
<b>AP100/3.5</b>	3.5	92	3.62	43.5	1.71
<b>AP100/4.3</b>	4.3	96	3.78	45	1.77
<b>AP100/5</b>	5	98.5	3.88	46.5	1.83
<b>AP100/6.5</b>	6.5	103.5	4.07	49	1.93
<b>AP100/8</b>	7.8	109	4.29	52	2.05

**Accessories**

Type	Order Code	Clockwise rotation: <b>D</b>	Type	Order Code	C.clockwise rotation: <b>S</b>	Flange connectors	Spined couplings
AP100/1.2 D	<b>200.1011.132.04</b>			AP100/1.2 S		<b>200.1011.133.04</b>	
AP100/1.7 D	<b>200.1012.132.03</b>	AP100/1.7 S		<b>200.1012.133.04</b>	RF198	GSH-1-14	
AP100/2.5 D	<b>200.1013.132.03</b>	AP100/2.5 S		<b>200.1013.133.03</b>	RF199		
AP100/3.5 D	<b>200.1014.132.04</b>	AP100/3.5 S		<b>200.1014.133.03</b>			
AP100/4.3 D	<b>200.1015.132.03</b>	AP100/4.3 S		<b>200.1015.133.02</b>			
AP100/5 D	<b>200.1016.132.03</b>	AP100/5 S		<b>200.1016.133.06</b>			
AP100/6.5 D	<b>200.1017.132.03</b>	AP100/6.5 S		<b>200.1017.133.03</b>			
AP100/8 D	<b>200.1018.132.02</b>	AP100/8 S		<b>200.1018.133.02</b>			



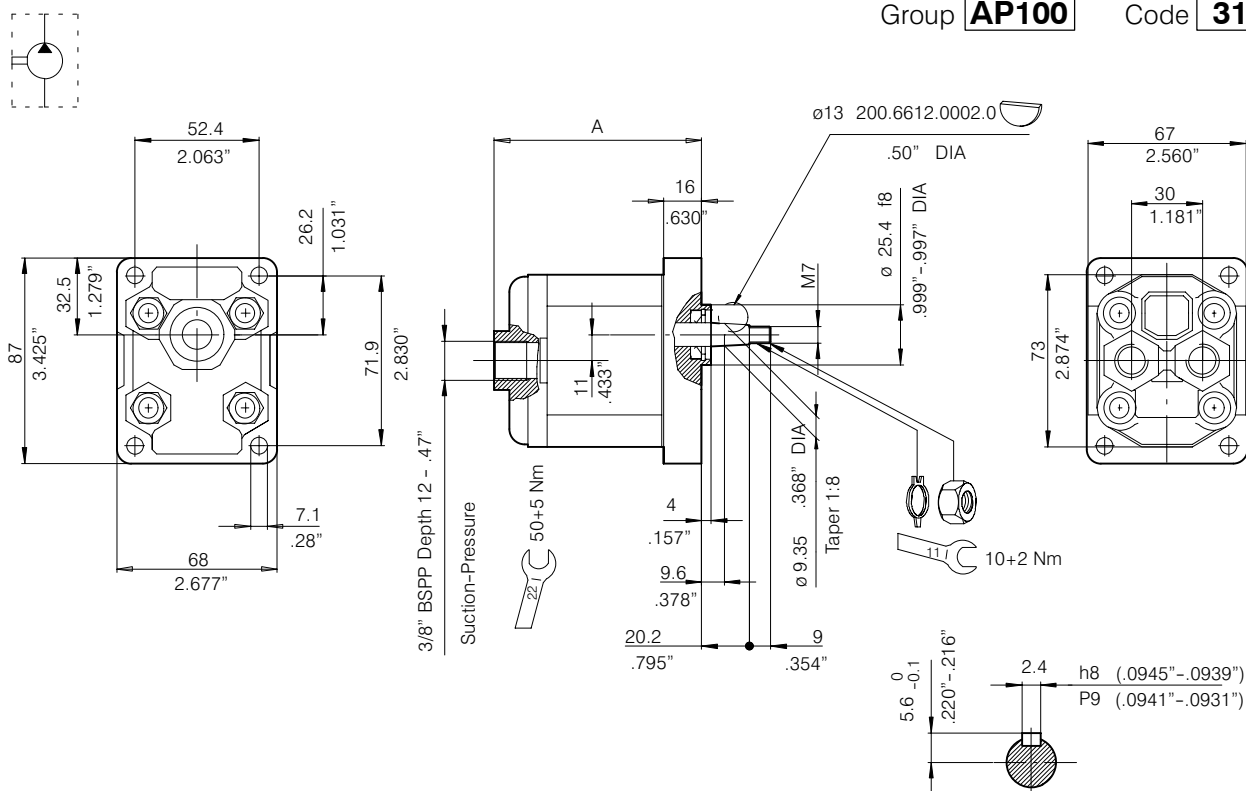
Group **AP100** Code **219**



Type	Displacement cm <sup>3</sup> /rev	Dimensions			
		A		B	
		mm	inch.	mm	inch.
<b>AP100/1.2</b>	1.2	82.5	3.25	38.5	1.51
<b>AP100/1.7</b>	1.7	84.5	3.33	39.5	1.55
<b>AP100/2.5</b>	2.5	88	3.46	41	1.61
<b>AP100/3.5</b>	3.5	92	3.62	43.5	1.71
<b>AP100/4.3</b>	4.3	96	3.78	45	1.77
<b>AP100/5</b>	5	98.5	3.88	46.5	1.83
<b>AP100/6.5</b>	6.5	103.5	4.07	49	1.93
<b>AP100/8</b>	7.8	109	4.29	52	2.05
<b>AP100/10</b>	10	118	4.64	56.5	2.22

**Accessories**

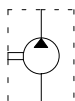
Type	Order Code	Clockwise rotation: D	Type	Order Code	C.clockwise rotation: S	Flange connectors	Splined couplings
AP100/1.2 D			AP100/1.2 S	<b>200.1011.143.06</b>		RF197	
AP100/1.7 D			AP100/1.7 S	<b>200.1012.143.07</b>		RF198	
AP100/2.5 D			AP100/2.5 S	<b>200.1013.143.06</b>		RF199	
AP100/3.5 D			AP100/3.5 S	<b>200.1014.143.06</b>			
AP100/4.3 D			AP100/4.3 S	<b>200.1015.143.06</b>			
AP100/5 D			AP100/5 S	<b>200.1016.143.04</b>			
AP100/6.5 D			AP100/6.5 S	<b>200.1017.143.04</b>			
AP100/8 D			AP100/8 S	<b>200.1018.143.02</b>			
AP100/10 D			AP100/10 S				



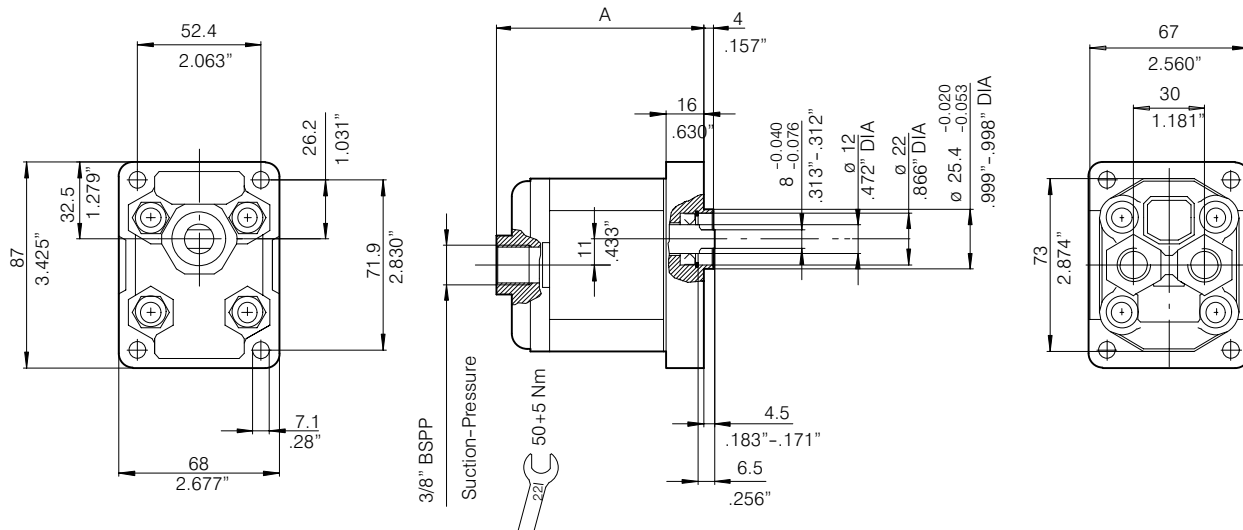
Type	Displacement cm <sup>3</sup> /rev	Dimensions	
		A	
		mm	inch.
<b>AP100/1.2</b>	1.2	82.5	3.25
<b>AP100/1.7</b>	1.7	84.5	3.33
<b>AP100/2.5</b>	2.5	88	3.46
<b>AP100/3.5</b>	3.5	92	3.62
<b>AP100/4.3</b>	4.3	96	3.78
<b>AP100/5</b>	5	98.5	3.88
<b>AP100/6.5</b>	6.5	103.5	4.07
<b>AP100/8</b>	7.8	109	4.29

**Accessories**

Type	Order Code	Clockwise rotation: D	Type	Order Code	C.clockwise rotation: S	Flange connectors	Splined couplings
AP100/1.2 D	<b>200.1011.132.05</b>		AP100/1.2 S	<b>200.1011.133.05</b>			GSH-1-12
AP100/1.7 D	<b>200.1012.132.04</b>		AP100/1.7 S	<b>200.1012.133.05</b>		GSH-1-14	
AP100/2.5 D	<b>200.1013.132.04</b>		AP100/2.5 S	<b>200.1013.133.04</b>			
AP100/3.5 D	<b>200.1014.132.05</b>		AP100/3.5 S	<b>200.1014.133.04</b>			
AP100/4.3 D	<b>200.1015.132.04</b>		AP100/4.3 S	<b>200.1015.133.05</b>			
AP100/5 D	<b>200.1016.132.04</b>		AP100/5 S	<b>200.1016.133.07</b>			
AP100/6.5 D	<b>200.1017.132.04</b>		AP100/6.5 S	<b>200.1017.133.04</b>			
AP100/8 D	<b>200.1018.132.03</b>		AP100/8 S	<b>200.1018.133.03</b>			

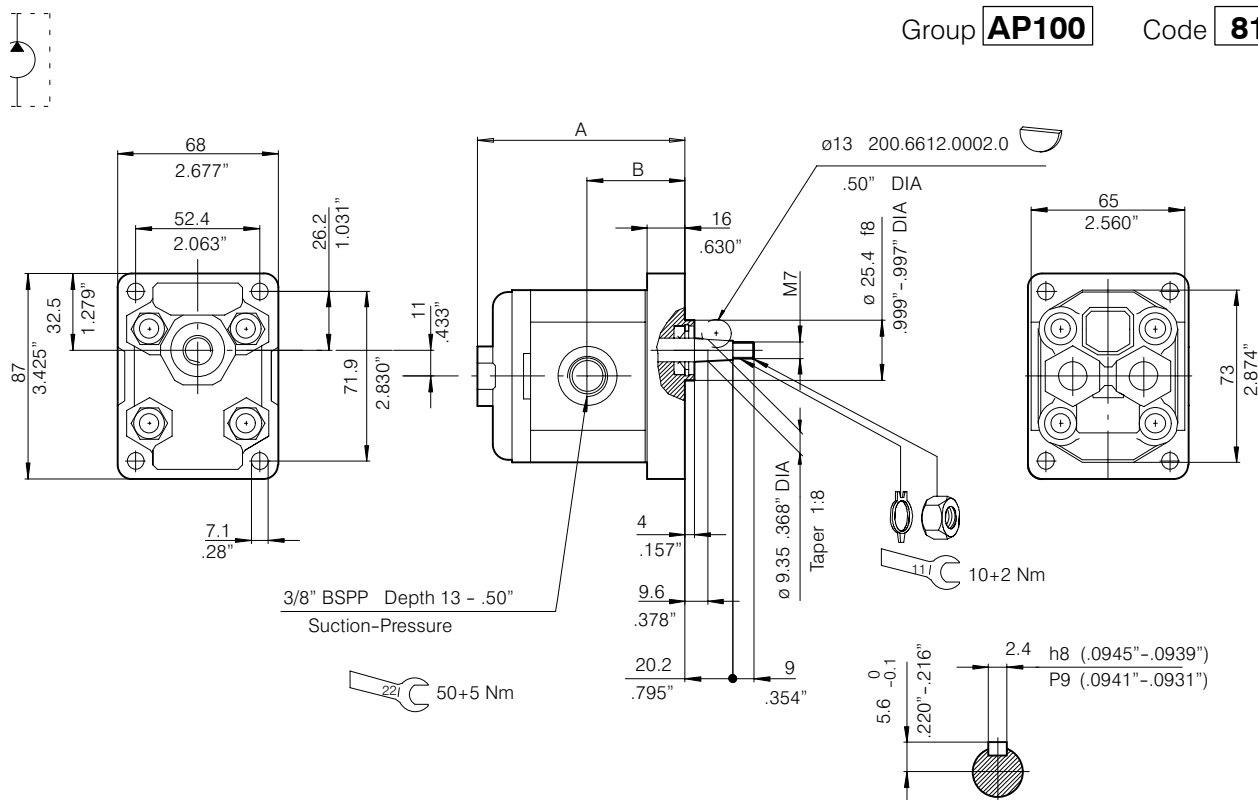


Group **AP100** Code **319**



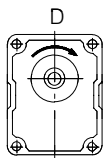
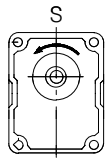
Type	Displacement cm <sup>3</sup> /rev	Dimensions	
		A	
		mm	inch.
<b>AP100/1.2</b>	1.2	82.5	3.25
<b>AP100/1.7</b>	1.7	84.5	3.33
<b>AP100/2.5</b>	2.5	88	3.46
<b>AP100/3.5</b>	3.5	92	3.62
<b>AP100/4.3</b>	4.3	96	3.78
<b>AP100/5</b>	5	98.5	3.88
<b>AP100/6.5</b>	6.5	103.5	4.07
<b>AP100/8</b>	7.8	109	4.29
<b>AP100/10</b>	10	118	4.64

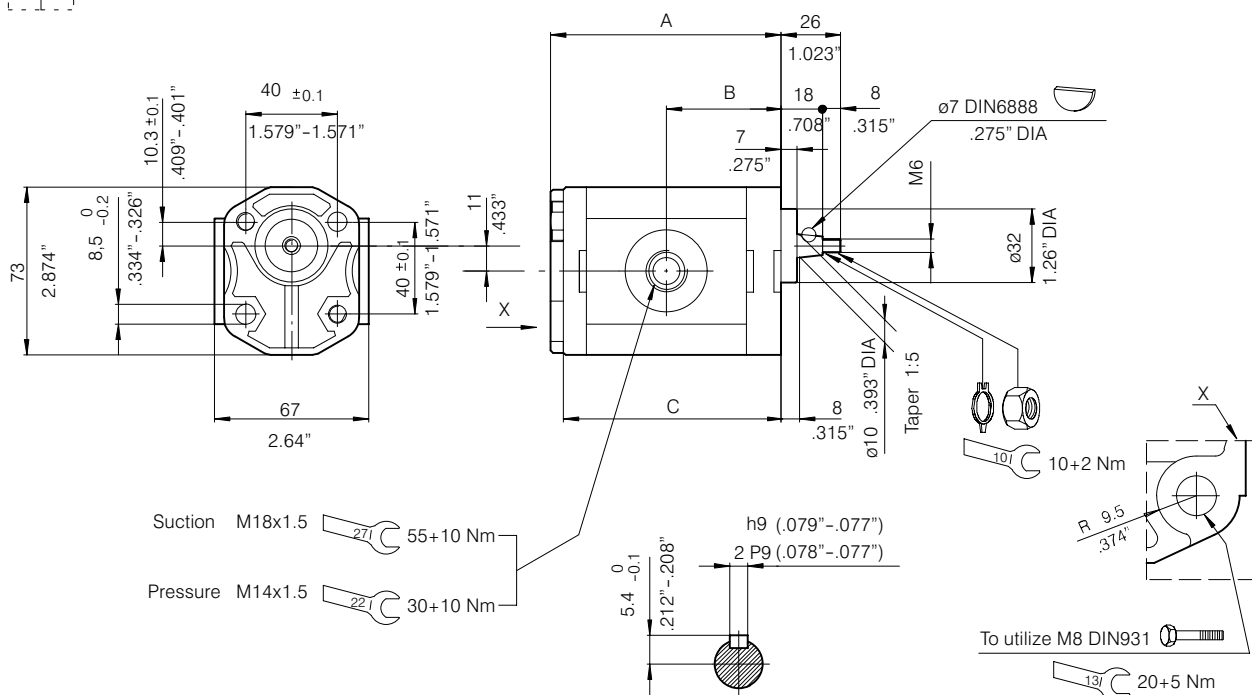
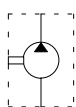
Type	Order Code	Clockwise rotation: D	Type	Order Code	C.clockwise rotation: S
AP100/1.2 D			AP100/1.2 S	<b>200.1011.143.07</b>	
AP100/1.7 D			AP100/1.7 S	<b>200.1012.143.08</b>	
AP100/2.5 D			AP100/2.5 S	<b>200.1013.143.07</b>	
AP100/3.5 D	<b>200.1014.142.01</b>		AP100/3.5 S	<b>200.1014.143.07</b>	
AP100/4.3 D			AP100/4.3 S	<b>200.1015.143.08</b>	
AP100/5 D	<b>200.1016.142.01</b>		AP100/5 S	<b>200.1016.143.05</b>	
AP100/6.5 D	<b>200.1017.142.02</b>		AP100/6.5 S	<b>200.1017.143.05</b>	
AP100/8 D			AP100/8 S	<b>200.1018.143.03</b>	
AP100/10 D			AP100/10 S		



Type	Displacement cm <sup>3</sup> /rev	Dimensions			
		A		B	
		mm	inch.	mm	inch.
<b>AP100/1.2</b>	1.2	82.5	3.25	38.5	1.51
<b>AP100/1.7</b>	1.7	84.5	3.33	39.5	1.55
<b>AP100/2.5</b>	2.5	88	3.46	41	1.61
<b>AP100/3.5</b>	3.5	92	3.62	43.5	1.71
<b>AP100/4.3</b>	4.3	96	3.78	45	1.77
<b>AP100/5</b>	5	98.5	3.88	46.5	1.83
<b>AP100/6.5</b>	6.5	103.5	4.07	49	1.93
<b>AP100/8</b>	7.8	109	4.29	52	2.05

**Accessories**

Type	Order Code	Clockwise rotation: D	Type	Order Code	C.clockwise rotation: S	Flange connectors	Spined couplings
AP100/1.2 D	<b>200.1011.132.07</b>			AP100/1.2 S		<b>200.1011.133.06</b>	
AP100/1.7 D	<b>200.1012.132.05</b>	AP100/1.7 S		<b>200.1012.133.07</b>	GSH-1-14		
AP100/2.5 D	<b>200.1013.132.07</b>	AP100/2.5 S		<b>200.1013.133.05</b>			
AP100/3.5 D	<b>200.1014.132.06</b>	AP100/3.5 S		<b>200.1014.133.06</b>			
AP100/4.3 D	<b>200.1015.132.06</b>	AP100/4.3 S		<b>200.1015.133.04</b>			
AP100/5 D	<b>200.1016.132.05</b>	AP100/5 S		<b>200.1016.133.09</b>			
AP100/6.5 D	<b>200.1017.132.05</b>	AP100/6.5 S		<b>200.1017.133.05</b>			
AP100/8 D	<b>200.1018.132.04</b>	AP100/8 S		<b>200.1018.133.04</b>			

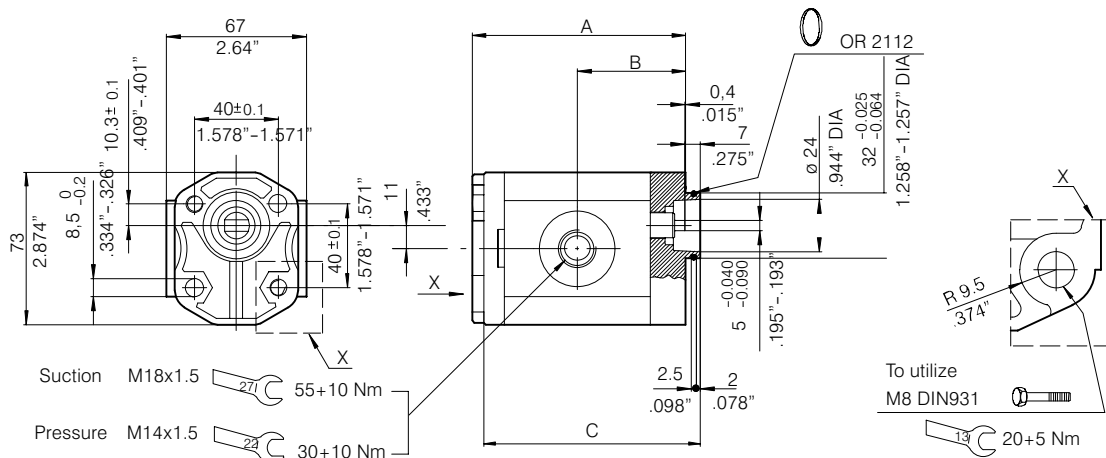
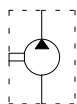


Type	Displacement cm <sup>3</sup> /rev	Dimensions					
		A		B		C	
		mm	inch.	mm	inch.	mm	inch.
<b>AP100/1.2</b>	1.2	73.5	2.89	36.5	1.44	70	2.75
<b>AP100/1.7</b>	1.7	75.5	2.97	37.5	1.48	72	2.83
<b>AP100/2.5</b>	2.5	79	2.99	39	1.53	75.5	2.97
<b>AP100/3.5</b>	3.5	83	3.27	41	1.61	80	3.15
<b>AP100/4.3</b>	4.3	87	3.42	43	1.69	83.5	3.29
<b>AP100/5</b>	5	89.5	3.52	44.5	1.75	86	3.38
<b>AP100/6.5</b>	6.5	94.5	3.72	47	1.85	91	3.58
<b>AP100/8</b>	7.8	100	3.98	50	1.97	97	3.81

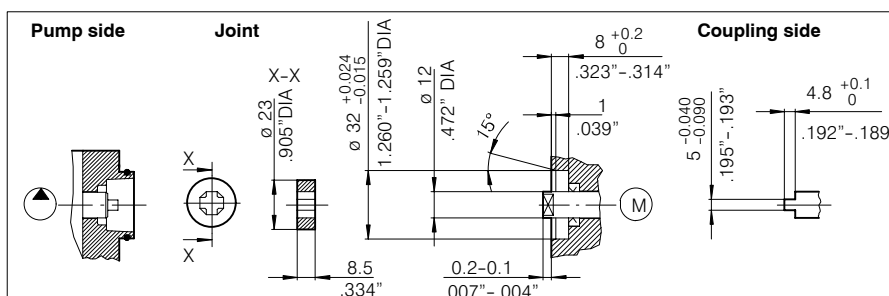
**Accessories**

Type	Order Code	Clockwise rotation: D	Type	Order Code	C.clockwise rotation: S	Flange connectors	Spined couplings
AP100/1.2 D	<b>200.1011.422.02</b>		AP100/1.2 S	<b>200.1011.423.02</b>			GSH-1B-12
AP100/1.7 D	<b>200.1012.422.01</b>		AP100/1.7 S	<b>200.1012.423.01</b>			
AP100/2.5 D	<b>200.1013.422.01</b>		AP100/2.5 S	<b>200.1013.423.01</b>			
AP100/3.5 D	<b>200.1014.422.01</b>		AP100/3.5 S	<b>200.1014.423.01</b>			
AP100/4.3 D	<b>200.1015.422.01</b>		AP100/4.3 S	<b>200.1015.423.01</b>			
AP100/5 D	<b>200.1016.422.01</b>		AP100/5 S	<b>200.1016.423.01</b>			
AP100/6.5 D	<b>200.1017.422.01</b>		AP100/6.5 S	<b>200.1017.423.01</b>			
AP100/8 D	<b>200.1018.422.01</b>		AP100/8 S	<b>200.1018.423.01</b>			

Group **AP100** Code **849**



Max pressure (M max= 25 Nm)			
Pump	P bar (PSI)		
	P1	P2	P3
AP100/6.5	160 (2300)	180 (2600)	200 (2900)
AP100/8	130 (1900)	150 (2100)	170 (2400)



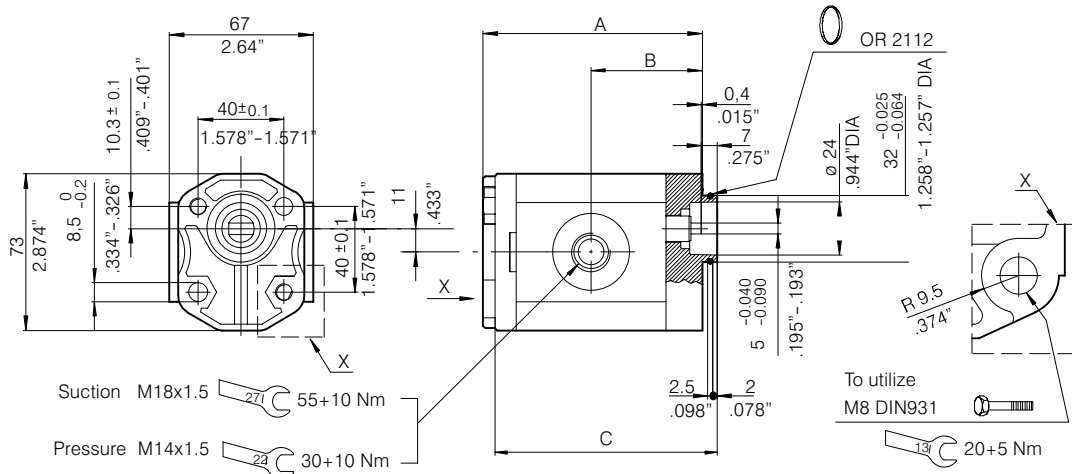
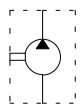
Type	Displacement cm <sup>3</sup> /rev	Dimensions					
		A		B		C	
		mm	inch.	mm	inch.	mm	inch.
<b>AP100/1.2</b>	1.2	82.5	3.25	38.5	1.51	70	2.75
<b>AP100/1.7</b>	1.7	84.5	3.33	39.5	1.55	72	2.83
<b>AP100/2.5</b>	2.5	88	3.46	41	1.61	75.5	2.97
<b>AP100/3.5</b>	3.5	92	3.62	43.5	1.71	80	3.15
<b>AP100/4.3</b>	4.3	96	3.78	45	1.77	83.5	3.29
<b>AP100/5</b>	5	98.5	3.88	46.5	1.83	86	3.38
<b>AP100/6.5</b>	6.5	103.5	4.07	49	1.93	91	3.58
<b>AP100/8</b>	7.8	109	4.29	52	2.05	97	3.81

Type	Order Code	Clockwise rotation: D	Type	Order Code	C.clockwise rotation: S
AP100/1.2 D	<b>200.1011.442.01</b>			AP100/1.2 S	
AP100/1.7 D	<b>200.1012.442.02</b>	AP100/1.7 S		<b>200.1012.443.03</b>	
AP100/2.5 D	<b>200.1013.442.03</b>	AP100/2.5 S		<b>200.1013.443.03</b>	
AP100/3.5 D	<b>200.1014.442.01</b>	AP100/3.5 S		<b>200.1014.443.03</b>	
AP100/4.3 D	<b>200.1015.442.01</b>	AP100/4.3 S		<b>200.1015.443.03</b>	
AP100/5 D	<b>200.1016.442.01</b>	AP100/5 S		<b>200.1016.443.01</b>	
AP100/6.5 D	<b>200.1017.442.01</b>	AP100/6.5 S		<b>200.1017.443.02</b>	
AP100/8 D	<b>200.1018.442.01</b>	AP100/8 S		<b>200.1018.443.04</b>	

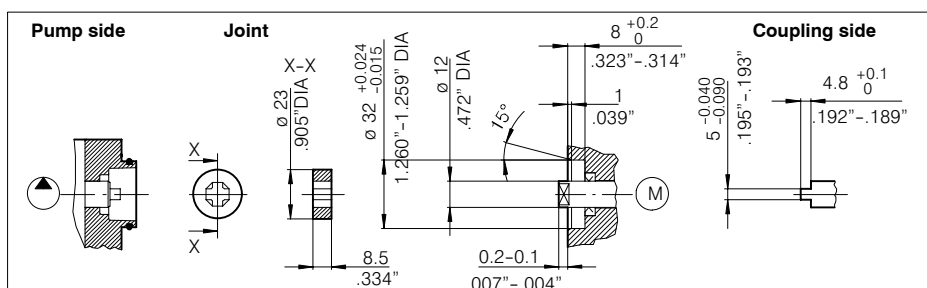
N.B.: With respect to the standards, the maximum pressures of some versions of this pump are reduced in relation to the max. torque allowed to the shaft.



Group **AP100** Code **849P**



Max pressure (M max= 25 Nm)			
Pump	bar (PSI)		
	P1	P2	P3
AP100/6.5	160 (2300)	180 (2600)	200 (2900)
AP100/8	130 (1900)	150 (2100)	170 (2400)

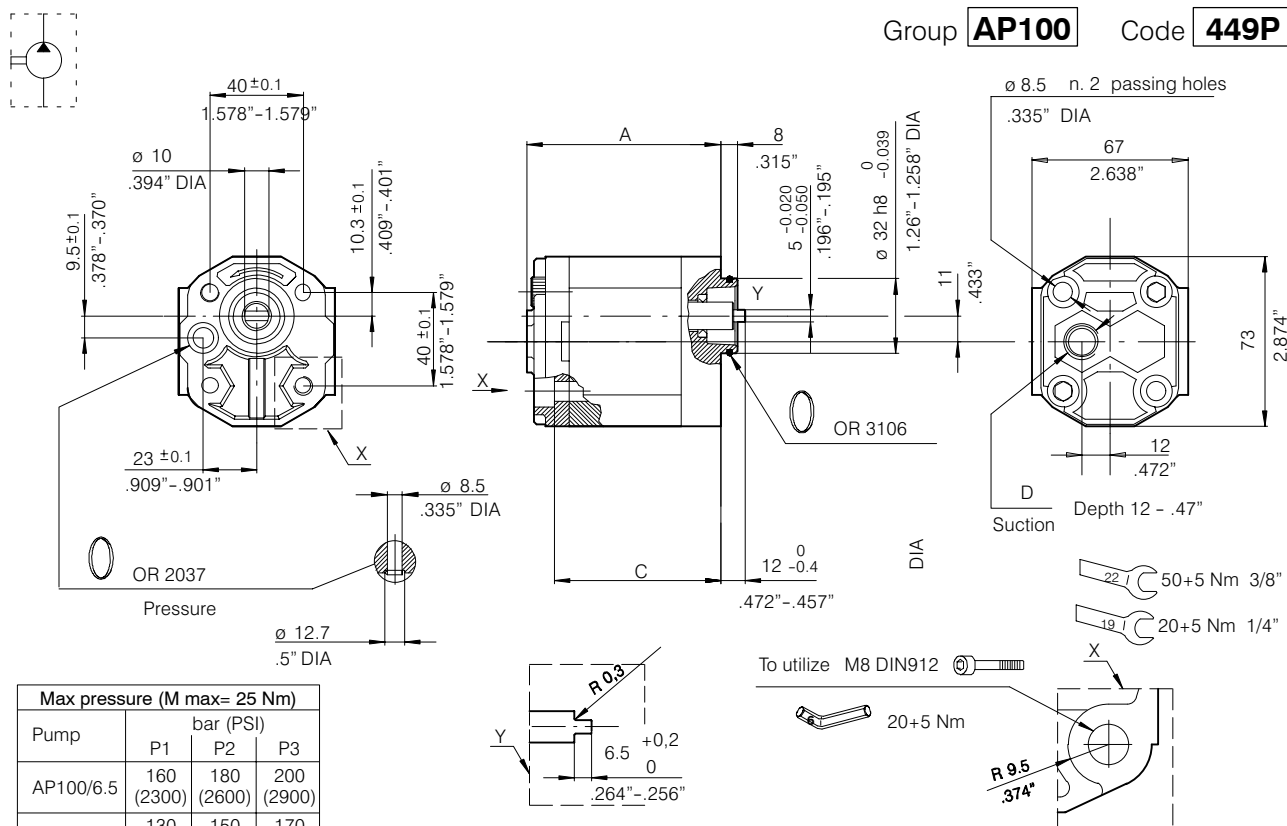


Type	Displacement cm <sup>3</sup> /rev	Dimensions					
		A		B		C	
		mm	inch.	mm	inch.	mm	inch.
<b>AP100/1.2</b>	1.2	82.5	3.25	38.5	1.51	70	2.75
<b>AP100/1.7</b>	1.7	84.5	3.33	39.5	1.55	72	2.83
<b>AP100/2.5</b>	2.5	88	3.46	41	1.61	75.5	2.97
<b>AP100/3.5</b>	3.5	92	3.62	43.5	1.71	80	3.15
<b>AP100/4.3</b>	4.3	96	3.78	45	1.77	83.5	3.29
<b>AP100/5</b>	5	98.5	3.88	46.5	1.83	86	3.38
<b>AP100/6.5</b>	6.5	103.5	4.07	49	1.93	91	3.58
<b>AP100/8</b>	7.8	109	4.29	52	2.05	97	3.81

Type	Order Code	Clockwise rotation: D	Type	Order Code	C.clockwise rotation: S
AP100/1.2 D	<b>200.1011.442.02</b>		AP100/1.2 S	<b>200.1011.443.04</b>	
AP100/1.7 D	<b>200.1012.442.03</b>	AP100/1.7 S	<b>200.1012.443.04</b>		
AP100/2.5 D	<b>200.1013.442.04</b>	AP100/2.5 S	<b>200.1013.443.04</b>		
AP100/3.5 D	<b>200.1014.442.02</b>	AP100/3.5 S	<b>200.1014.443.04</b>		
AP100/4.3 D	<b>200.1015.442.02</b>	AP100/4.3 S	<b>200.1015.443.04</b>		
AP100/5 D	<b>200.1016.442.02</b>	AP100/5 S	<b>200.1016.443.02</b>		
AP100/6.5 D	<b>200.1017.442.02</b>	AP100/6.5 S	<b>200.1017.443.03</b>		
AP100/8 D	<b>200.1018.442.02</b>	AP100/8 S	<b>200.1018.443.02</b>		

N.B.: With respect to the standards, the maximum pressures of some versions of this pump are reduced in relation to the max. torque allowed to the shaft.

Group **AP100** Code **449P**

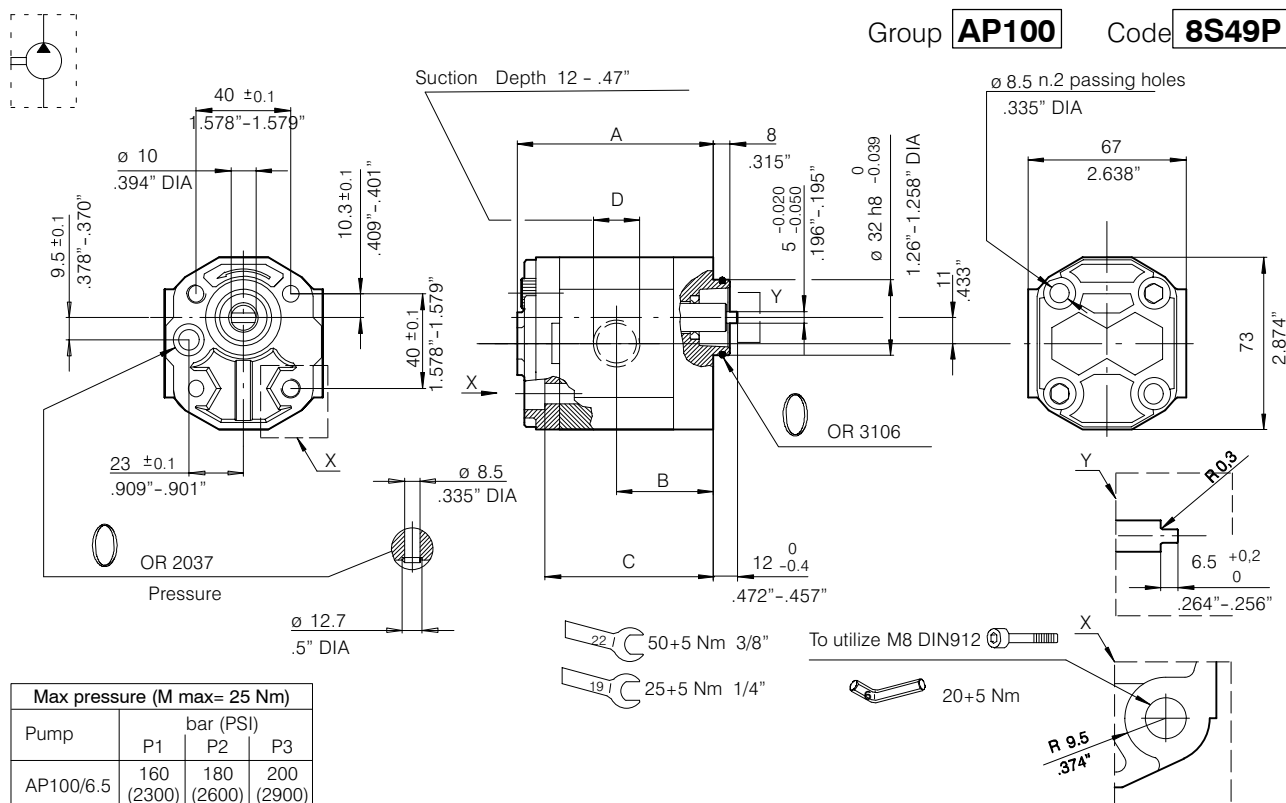


Type	Displacement cm <sup>3</sup> /rev	Dimensions				Suction
		A		C		D
		mm	inch.	mm	inch.	BSP
<b>AP100/1.2 D</b>	1.2	75.5	2.97	70	2.75	1/4"
<b>AP100/1.7 D</b>	1.7	77.5	3.05	72	2.83	1/4"
<b>AP100/2.5 D</b>	2.5	81	3.19	75.5	2.97	1/4"
<b>AP100/3.5 D</b>	3.5	85	3.35	80	3.15	1/4"
<b>AP100/4.3 D</b>	4.3	89	3.50	83.5	3.29	1/4"
<b>AP100/5 D</b>	5	91.5	3.60	86	3.38	3/8"
<b>AP100/6.5 D</b>	6.5	96.5	3.80	91	3.58	3/8"
<b>AP100/8 D</b>	7.8	102	4.01	97	3.81	3/8"

Type	Order Code	Clockwise rotation: D	Type	Order Code	C.clockwise rotation: S
AP100/1.2 D	<b>200.1011.442.04</b>		AP100/1.2 S	<b>200.1011.443.02</b>	
AP100/1.7 D			AP100/1.7 S	<b>200.1012.443.02</b>	
AP100/2.5 D	<b>200.1013.442.06</b>		AP100/2.5 S	<b>200.1013.443.02</b>	
AP100/3.5 D	<b>200.1014.442.04</b>		AP100/3.5 S	<b>200.1014.443.02</b>	
AP100/4.3 D			AP100/4.3 S	<b>200.1015.443.02</b>	
AP100/5 D			AP100/5 S	<b>200.1016.443.03</b>	
AP100/6.5 D			AP100/6.5 S	<b>200.1017.443.01</b>	
AP100/8 D			AP100/8 S	<b>200.1018.443.01</b>	

N.B.: With respect to the standards, the maximum pressures of some versions of this pump are reduced in relation to the max. torque allowed to the shaft.

Group **AP100** Code **8S49P**



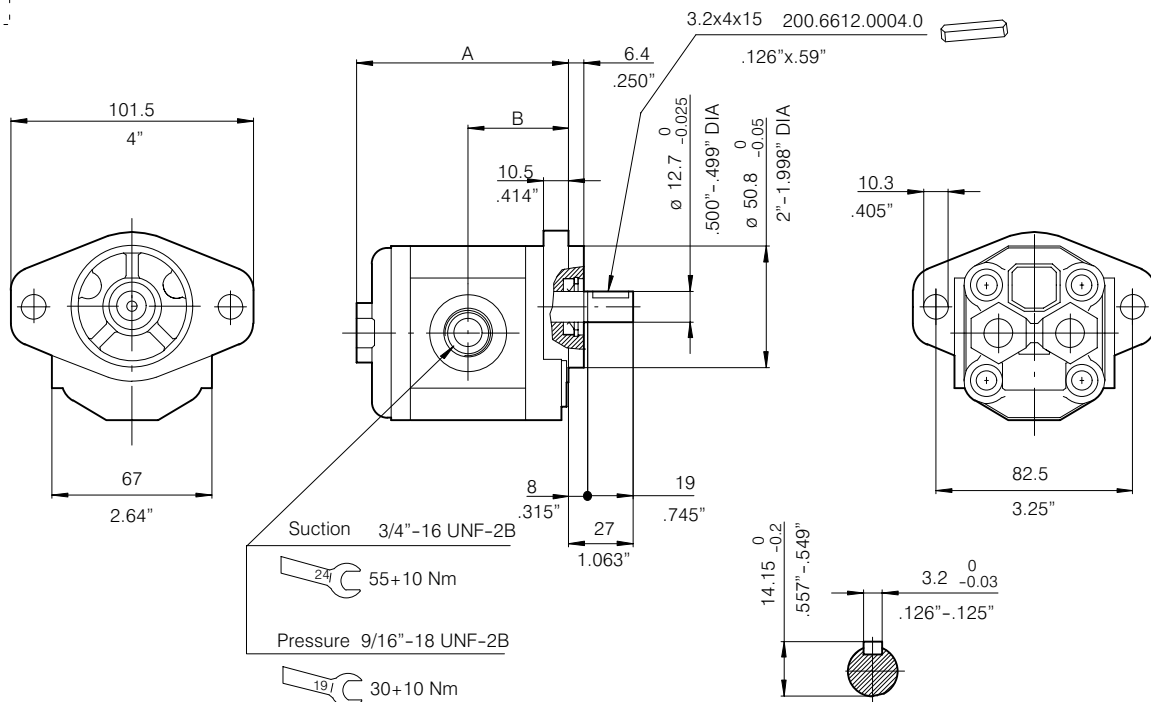
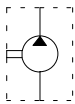
Max pressure (M max= 25 Nm)			
Pump	bar (PSI)		
	P1	P2	P3
AP100/6.5	160 (2300)	180 (2600)	200 (2900)
AP100/8	130 (1900)	150 (2100)	170 (2400)

The drawing shows a pump with counterclockwise rotation.

Type	Displacement cm <sup>3</sup> /rev	Dimensions						Suction D
		A		B		C		
		mm	inch.	mm	inch.	mm	inch.	
<b>AP100/1.2</b>	1.2	75.5	2.97	38.5	1.51	70	2.75	1/4"
<b>AP100/1.7</b>	1.7	77.5	3.05	39.5	1.55	72	2.83	1/4"
<b>AP100/2.5</b>	2.5	81	3.19	41	1.61	75.5	2.97	1/4"
<b>AP100/3.5</b>	3.5	85	3.35	43.5	1.71	80	3.15	1/4"
<b>AP100/4.3</b>	4.3	89	3.50	45	1.77	83.5	3.29	1/4"
<b>AP100/5</b>	5	91.5	3.60	46.5	1.83	86	3.38	3/8"
<b>AP100/6.5</b>	6.5	96.5	3.80	49	1.93	91	3.58	3/8"
<b>AP100/8</b>	7.8	102	4.01	52	2.05	97	3.81	3/8"

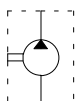
Type	Order Code	Clockwise rotation: D	Type	Order Code	C.clockwise rotation: S
AP100/1.2 D			AP100/1.2 S		
AP100/1.7 D			AP100/1.7 S		
AP100/2.5 D			AP100/2.5 S	<b>200.1013.443.06</b>	
AP100/3.5 D			AP100/3.5 S		
AP100/4.3 D			AP100/4.3 S		
AP100/5 D			AP100/5 S		
AP100/6.5 D			AP100/6.5 S	<b>200.1017.443.04</b>	
AP100/8 D			AP100/8 S		
AP100/10 D			AP100/10 S		

N.B.: With respect to the standards, the maximum pressures of some versions of this pump are reduced in relation to the max. torque allowed to the shaft.

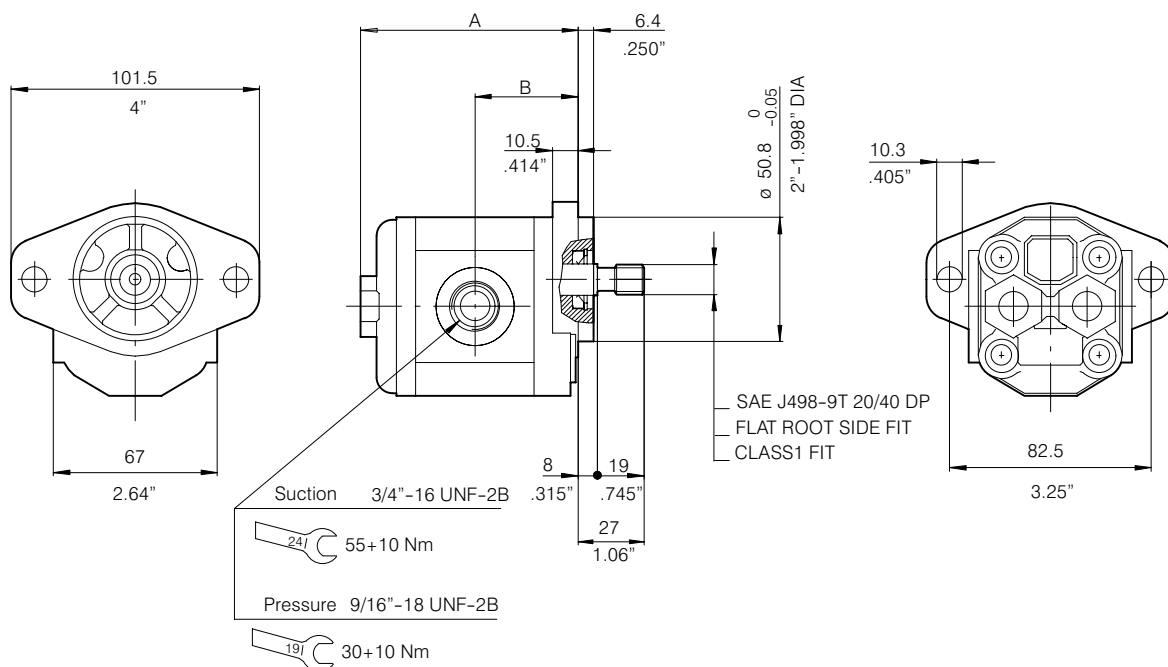


Type	Displacement cm <sup>3</sup> /rev	Dimensions			
		A		B	
		mm	inch.	mm	inch.
<b>AP100/1.2</b>	1.2	83.5	3.29	39.5	1.56
<b>AP100/1.7</b>	1.7	85.5	3.37	40.5	1.60
<b>AP100/2.5</b>	2.5	89	3.50	42	1.65
<b>AP100/3.5</b>	3.5	93	3.66	44.5	1.75
<b>AP100/4.3</b>	4.3	97	3.82	46	1.81
<b>AP100/5</b>	5	99.5	3.92	47.5	1.87
<b>AP100/6.5</b>	6.5	104.5	4.11	50	1.97
<b>AP100/8</b>	8	110	4.33	53	2.09

Type	Order Code	Clockwise rotation: D	Type	Order Code	C.clockwise rotation: S
AP100/1.2 D	<b>200.1011.802.01</b>		AP100/1.2 S	<b>200.1011.803.01</b>	
AP100/1.7 D	<b>200.1012.802.01</b>		AP100/1.7 S	<b>200.1012.803.01</b>	
AP100/2.5 D	<b>200.1013.802.01</b>		AP100/2.5 S	<b>200.1013.803.01</b>	
AP100/3.5 D	<b>200.1014.802.05</b>		AP100/3.5 S	<b>200.1014.803.01</b>	
AP100/4.3 D	<b>200.1015.802.01</b>		AP100/4.3 S	<b>200.1015.803.03</b>	
AP100/5 D	<b>200.1016.802.01</b>		AP100/5 S	<b>200.1016.803.01</b>	
AP100/6.5 D	<b>200.1017.802.01</b>		AP100/6.5 S	<b>200.1017.803.01</b>	
AP100/8 D	<b>200.1018.802.01</b>		AP100/8 S	<b>200.1018.803.01</b>	

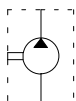


Group **AP100** Code **887S**



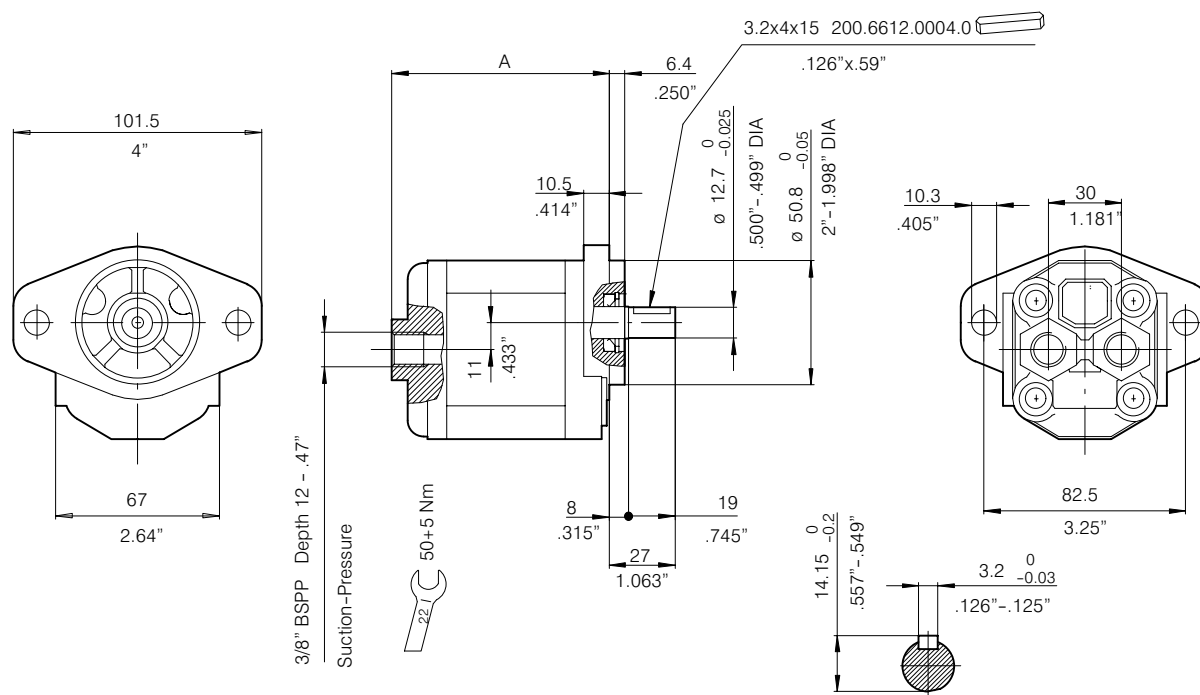
Type	Displacement cm <sup>3</sup> /rev	Dimensions			
		A		B	
		mm	inch.	mm	inch.
<b>AP100/1.2</b>	1.2	83.5	3.29	39.5	1.56
<b>AP100/1.7</b>	1.7	85.5	3.37	40.5	1.60
<b>AP100/2.5</b>	2.5	89	3.50	42	1.65
<b>AP100/3.5</b>	3.5	93	3.66	44.5	1.75
<b>AP100/4.3</b>	4.3	97	3.82	46	1.81
<b>AP100/5</b>	5	99.5	3.92	47.5	1.87
<b>AP100/6.5</b>	6.5	104.5	4.11	50	1.97
<b>AP100/8</b>	7.8	110	4.33	53	2.09

Type	Order Code	Clockwise rotation: D	Type	Order Code	C. clockwise rotation: S
AP100/1.2 D	<b>200.1011.862.01</b>		AP100/1.2 S	<b>200.1011.863.01</b>	
AP100/1.7 D	<b>200.1012.862.01</b>		AP100/1.7 S	<b>200.1012.863.01</b>	
AP100/2.5 D	<b>200.1013.862.01</b>		AP100/2.5 S	<b>200.1013.863.01</b>	
AP100/3.5 D	<b>200.1014.862.01</b>		AP100/3.5 S	<b>200.1014.863.01</b>	
AP100/4.3 D	<b>200.1015.862.01</b>		AP100/4.3 S	<b>200.1015.863.01</b>	
AP100/5 D	<b>200.1016.862.01</b>		AP100/5 S	<b>200.1016.863.01</b>	
AP100/6.5 D	<b>200.1017.862.01</b>		AP100/6.5 S	<b>200.1017.863.02</b>	
AP100/8 D	<b>200.1018.862.01</b>		AP100/8 S	<b>200.1018.863.01</b>	



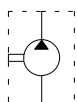
Group **AP100**

Code **380**

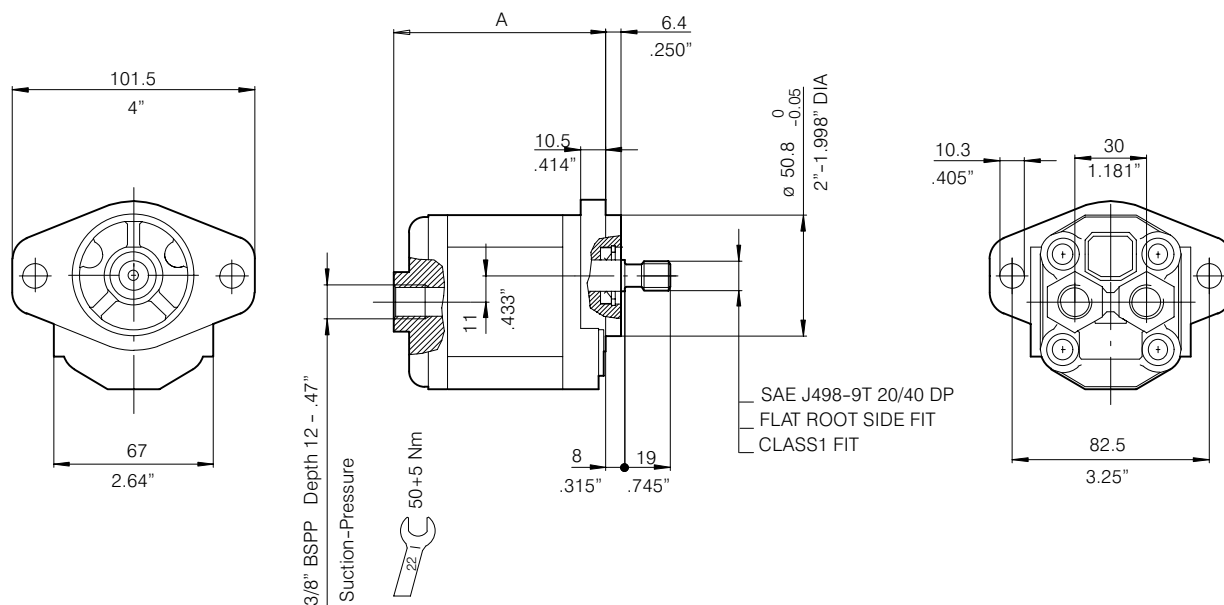


Type	Displacement cm <sup>3</sup> /rev	Dimensions	
		A	
		mm	inch.
<b>AP100/1.2</b>	1.2	83.5	3.29
<b>AP100/1.7</b>	1.7	85.5	3.37
<b>AP100/2.5</b>	2.5	89	3.50
<b>AP100/3.5</b>	3.5	93	3.66
<b>AP100/4.3</b>	4.3	97	3.82
<b>AP100/5</b>	5	99.5	3.92
<b>AP100/6.5</b>	6.5	104.5	4.11
<b>AP100/8</b>	7.8	110	4.33

Type	Order Code	Clockwise rotation: D	Type	Order Code	C.clockwise rotation: S
AP100/1.2 D			AP100/1.2 S		
AP100/1.7 D			AP100/1.7 S		
AP100/2.5 D			AP100/2.5 S		
AP100/3.5 D	<b>200.1014.802.07</b>		AP100/3.5 S		
AP100/4.3 D			AP100/4.3 S		
AP100/5 D	<b>200.1016.802.05</b>		AP100/5 S		
AP100/6.5 D	<b>200.1017.802.05</b>		AP100/6.5 S		
AP100/8 D	<b>200.1018.802.05</b>		AP100/8 S		

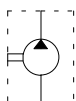


Group **AP100** Code **387S**

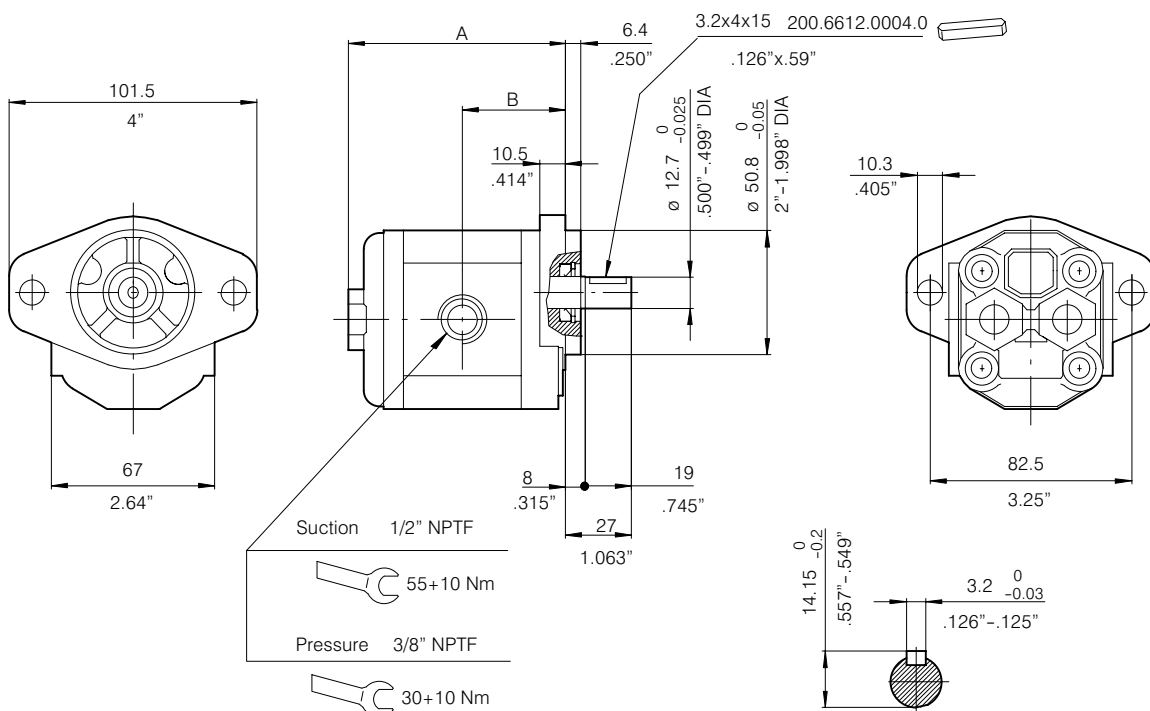


Type	Displacement cm <sup>3</sup> /rev	Dimensions	
		A	
		mm	inch.
<b>AP100/1.2 D</b>	1.2	83.5	3.29
<b>AP100/1.7 D</b>	1.7	85.5	3.37
<b>AP100/2.5 D</b>	2.5	89	3.50
<b>AP100/3.5 D</b>	3.5	93	3.66
<b>AP100/4.3 D</b>	4.3	97	3.82
<b>AP100/5 D</b>	5	99.5	3.92
<b>AP100/6.5 D</b>	6.5	104.5	4.11
<b>AP100/8 D</b>	8	110	4.33

Type	Order Code	Clockwise rotation: D	Type	Order Code	C.clockwise rotation: S
AP100/1.2 D			AP100/1.2 S		
AP100/1.7 D			AP100/1.7 S		
AP100/2.5 D			AP100/2.5 S		
AP100/3.5 D			AP100/3.5 S		
AP100/4.3 D			AP100/4.3 S		
AP100/5 D			AP100/5 S		
AP100/6.5 D			AP100/6.5 S		
AP100/8 D			AP100/8 S		



Group **AP100** Code **880 NPTF**

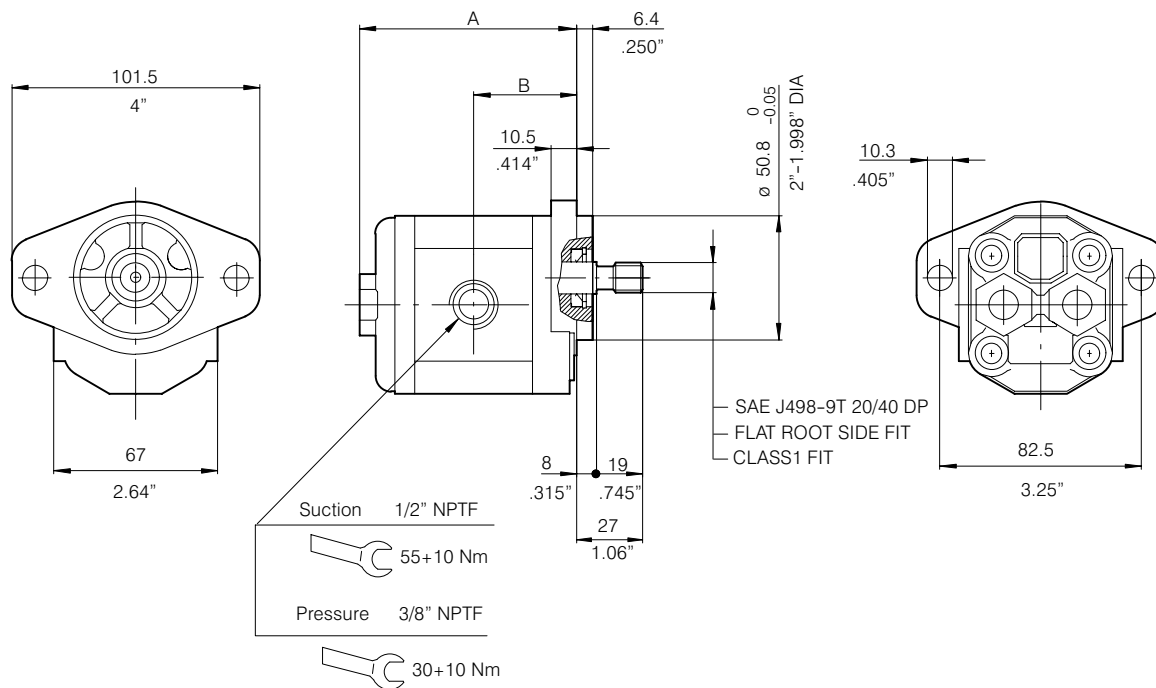
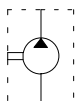


Type	Displacement cm <sup>3</sup> /rev	Dimensions			
		A		B	
		mm	inch.	mm	inch.
<b>AP100/1.2</b>	1.2	83.5	3.29	39.5	1.56
<b>AP100/1.7</b>	1.7	85.5	3.37	40.5	1.60
<b>AP100/2.5</b>	2.5	89	3.50	42	1.65
<b>AP100/3.5</b>	3.5	93	3.66	44.5	1.75
<b>AP100/4.3</b>	4.3	97	3.82	46	1.81
<b>AP100/5</b>	5	99.5	3.92	47.5	1.87
<b>AP100/6.5</b>	6.5	104.5	4.11	50	1.97
<b>AP100/8</b>	8	110	4.33	53	2.09

Type	Order Code	Clockwise rotation: D	Type	Order Code	C.clockwise rotation: S
AP100/1.2 D	<b>200.1011.802.02</b>		AP100/1.2 S	<b>200.1011.803.02</b>	
AP100/1.7 D	<b>200.1012.802.02</b>		AP100/1.7 S	<b>200.1012.803.02</b>	
AP100/2.5 D	<b>200.1013.802.02</b>		AP100/2.5 S	<b>200.1013.803.02</b>	
AP100/3.5 D	<b>200.1014.802.02</b>		AP100/3.5 S	<b>200.1014.803.02</b>	
AP100/4.3 D	<b>200.1015.802.02</b>		AP100/4.3 S	<b>200.1015.803.01</b>	
AP100/5 D	<b>200.1016.802.02</b>		AP100/5 S	<b>200.1016.803.02</b>	
AP100/6.5 D	<b>200.1017.802.02</b>		AP100/6.5 S	<b>200.1017.803.02</b>	
AP100/8 D	<b>200.1018.802.02</b>		AP100/8 S	<b>200.1018.803.02</b>	



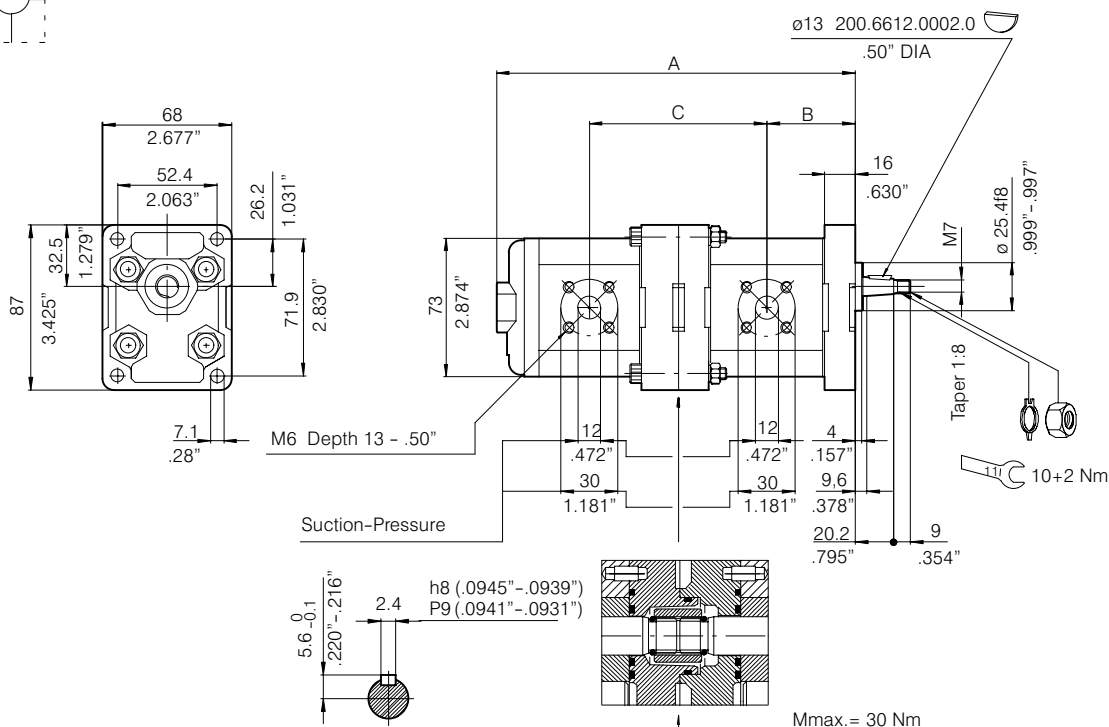
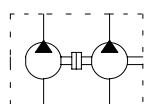
Group **AP100** Code **887S NPTF**



Type	Displacement cm <sup>3</sup> /rev	Dimensions			
		A		B	
		mm	inch.	mm	inch.
<b>AP100/1.2</b>	1.2	83.5	3.29	39.5	1.56
<b>AP100/1.7</b>	1.7	85.5	3.37	40.5	1.60
<b>AP100/2.5</b>	2.5	89	3.50	42	1.65
<b>AP100/3.5</b>	3.5	93	3.66	44.5	1.75
<b>AP100/4.3</b>	4.3	97	3.82	46	1.81
<b>AP100/5</b>	5	99.5	3.92	47.5	1.87
<b>AP100/6.5</b>	6.5	104.5	4.11	50	1.97
<b>AP100/8</b>	7.8	110	4.33	53	2.09

Type	Order Code	Clockwise rotation: D	Type	Order Code	C.clockwise rotation: S
AP100/1.2 D			AP100/1.2 S		
AP100/1.7 D			AP100/1.7 S		
AP100/2.5 D			AP100/2.5 S		
AP100/3.5 D			AP100/3.5 S		
AP100/4.3 D			AP100/4.3 S		
AP100/5 D			AP100/5 S		
AP100/6.5 D			AP100/6.5 S		
AP100/8 D			AP100/8 S		

Group **AP100** Code **2218**



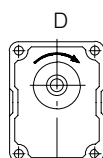
Displacement cm <sup>3</sup> /rev	A		B		C	
	mm	inch.	mm	inch.	mm	inch.
1.2+1.2	163	6.42	38.5	1.51	80.5	3.17
1.7+1.2	165	6.5	39.5	1.55	81.5	3.2
1.7+1.7	167	6.57			82.5	3.24
2.5+1.2	168.5	6.63	41	1.61	83.5	3.28
2.5+1.7	170.5	6.71			84.5	3.33
2.5+2.5	174	6.85			86	3.38
3.5+1.2	173	6.8	43.5	1.71	85.5	3.36
3.5+1.7	175	6.88			86.5	3.40
3.5+2.5	178	7.0			88	3.46
3.5+3.5	182.5	7.18			90	3.54
4.3+1.2	176.5	6.95	45	1.77	87	3.42
4.3+1.7	178.5	7.03			88	3.46
4.3+2.5	182	7.16	45	1.77	90	3.54
4.3+3.5	186	7.32			92	3.62
4.3+4.3	189.5	7.46			94	3.7
5+1.2	179	7.04	46.5	1.83	88.5	3.48
5+1.7	181	7.12			89.5	3.52
5+2.5	184.5	7.26			91.5	3.61
5+3.5	189	7.45			93.5	3.68
5+4.3	192.5	7.57			95	3.74
5+5	195	7.67	49	1.93	96.5	3.80
6.5+1.2	184	7.24			91	3.58
6.5+1.7	186	7.32			92	3.62
6.5+2.5	189.5	7.46			94	3.7

Displacement cm <sup>3</sup> /rev	A		B		C	
	mm	inch.	mm	inch.	mm	inch.
6.5+3.5	194	7.63	49	1.93	96	3.77
6.5+4.3	197.5	7.77			98	3.85
6.5+5	200	7.87			99	3.89
6.5+6.5	205	8.07			101.5	4
8+1.2	190	7.48	52	2.05	94	3.7
8+1.7	192	7.56			95	3.74
8+2.5	195	7.67			96.5	3.80
8+3.5	199.5	7.85			99	3.89
8+4.3	203	8.0			100.5	3.95
8+5	206	8.11			102	4.01
8+6.5	211	8.3			104.5	4.11
8+8	216.5	8.52			107	4.21

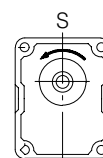
**Accessories**

Flange connectors	Splined couplings
RF197	GSH-1-12
RF198	GSH-1-14
RF199	

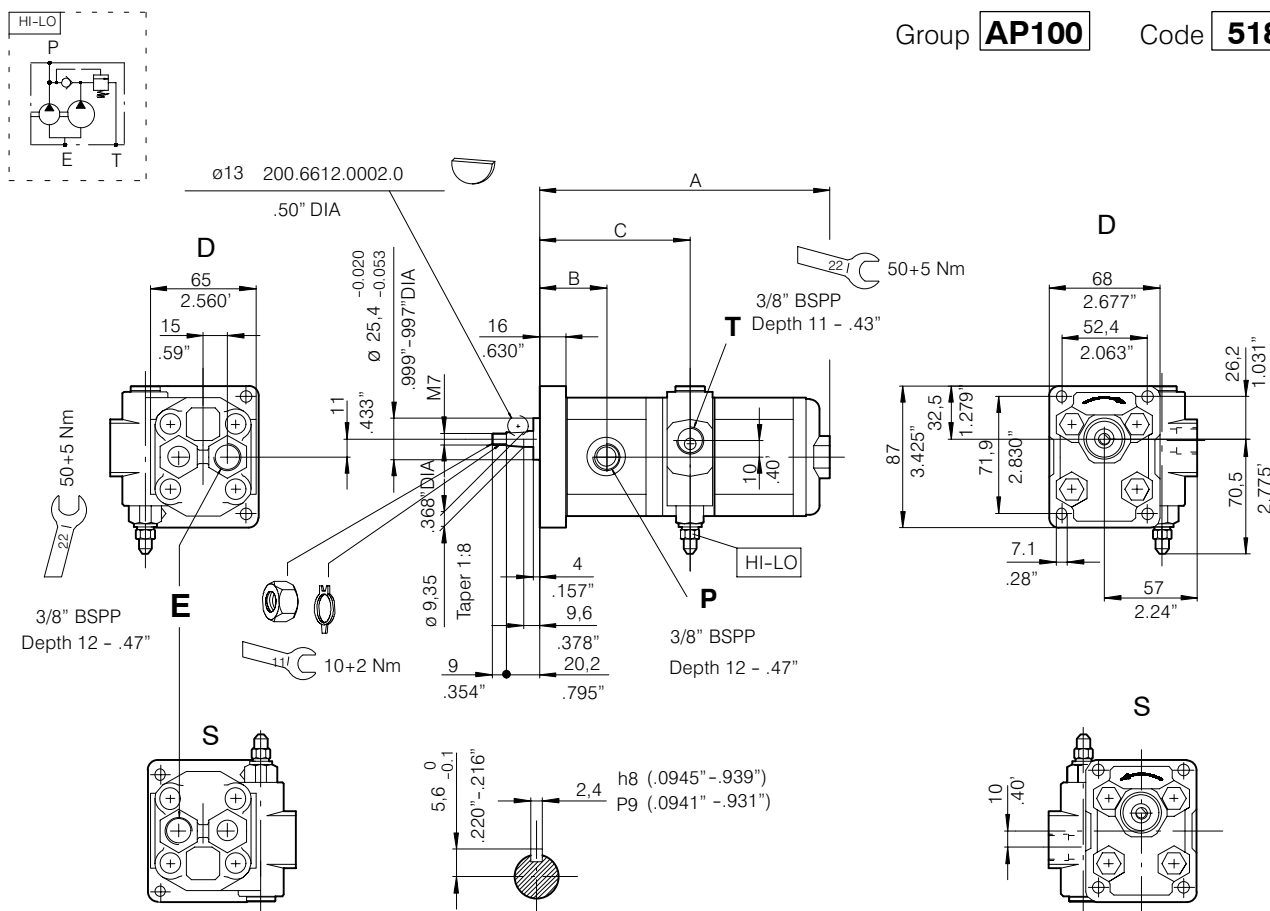
Example of product code



**AP100/3.5+1.7 D 2218**  
(Clockwise rotation: D)



**AP100/8+4.3 S 2218**  
(C.clockwise rotation: S)



		1st Pump														
		AP100/1.2			AP100/1.7			AP100/2.5			AP100/3.5			AP100/4.3		
		A	B	C	A	B	C	A	B	C	A	B	C	A	B	C
<b>2nd Pump</b>	<b>AP100/1.2</b>	168 6.62														
	<b>AP100/1.7</b>	170 6.70			172 6.77											
	<b>AP100/2.5</b>	173 6.81			175 6.89			178 7.01								
	<b>AP100/3.5</b>	177 6.97	38.5 1.52	87 3.42	179 7.05	39.5	89 3.50	183 7.20			187 7.36					
	<b>AP100/4.3</b>	181 7.13			183 7.20			186 7.32	41.5 1.63	92.5 3.64	191 7.52	43.5 1.71	97 3.82	194 7.64		
	<b>AP100/5</b>	184 7.25			186 7.32			189 7.44			194 7.64			197 7.76	45 1.77	100.5 3.95
	<b>AP100/6.5</b>	189 7.45			191 7.52			194 7.64			199 7.83			202 7.95		

Standard setting values for HI-LO valve: 03= 30 bar (pressures 15 ÷ 55 bar) - 06= 60 bar (pressures 55 ÷ 90 bar)

Composition of product code

**AP100/\*\*-100/\*\*- 03 D 518**  
**06 S**

**1st pump 2nd pump**

**AP100/2.5-100/6.5-05-D-518**



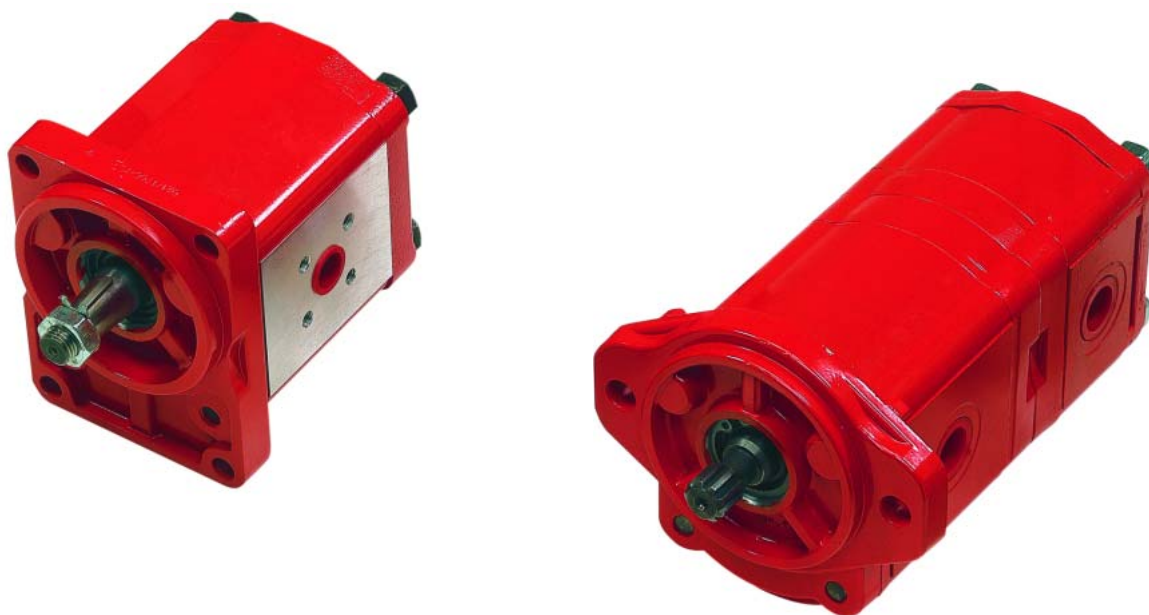
Clockwise rotation: D

**AP100/1.7-100/3.5-03-S-518**



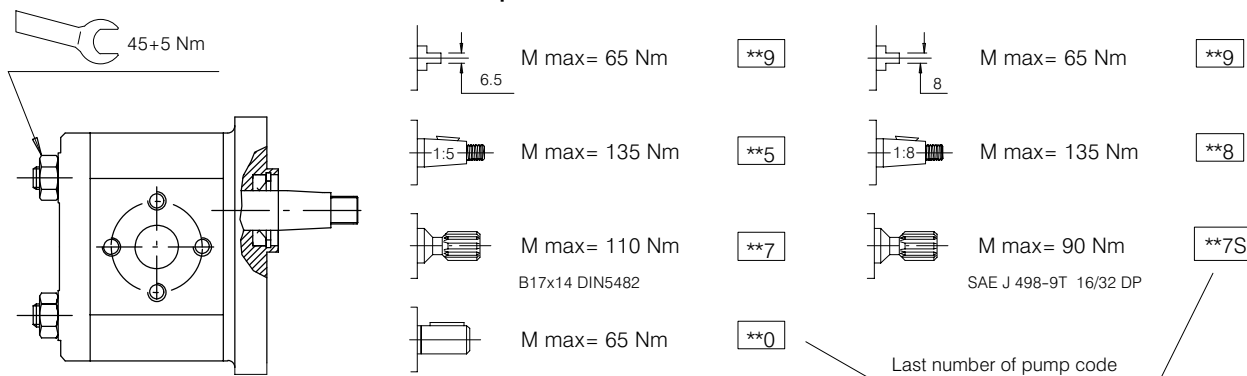
Counterclockwise rotation: S

## 5 Gear pumps group AP200



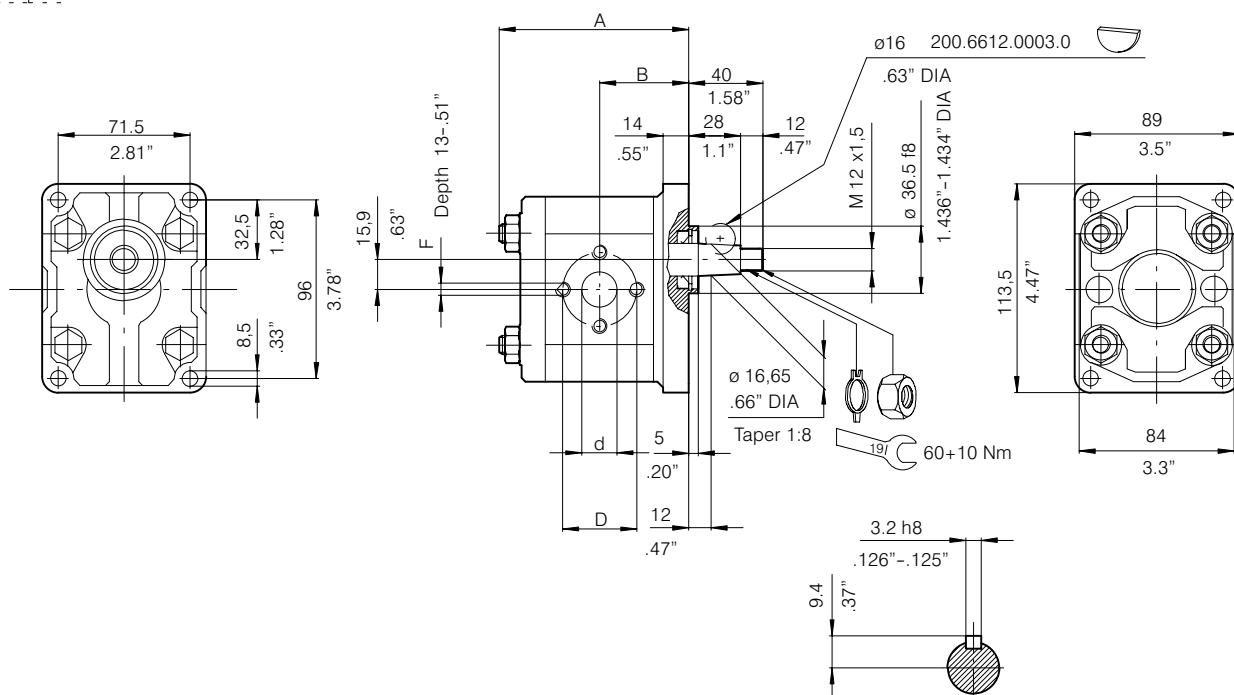
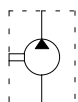
AP200 Type	Displacement		Max. pressure						n min.		n max.	
	cm <sup>3</sup> /rev	Cu.In. P.R.	P1		P2		P3		P ≤ P1	P > P1	P ≤ P1	P > P1
			bar	P.S.I.	bar	P.S.I.	bar	P.S.I.				
AP200/4.5	4.3	.262	220	3150	250	3600	280	4000	800	1000	3500	4000
AP200/6.5	6.3	.384	220	3150	250	3600	280	4000	800	1000	3500	4000
AP200/8.5	8.3	.506	220	3150	250	3600	280	4000	800	1000	3500	4000
AP200/11	11.0	.671	210	3000	230	3300	250	3600	700	900	3500	4000
AP200/15	15.0	.915	210	3000	230	3300	250	3600	650	800	3500	4000
AP200/19	18.9	1.159	210	3000	230	3300	250	3600	650	800	3000	3500
AP200/22	21.9	1.342	200	2900	220	3150	240	3400	600	750	3000	3500
AP200/26	25.9	1.586	190	2700	210	3000	230	3300	600	750	2500	3000

### Max torque allowed to the shaft



#### Notes:

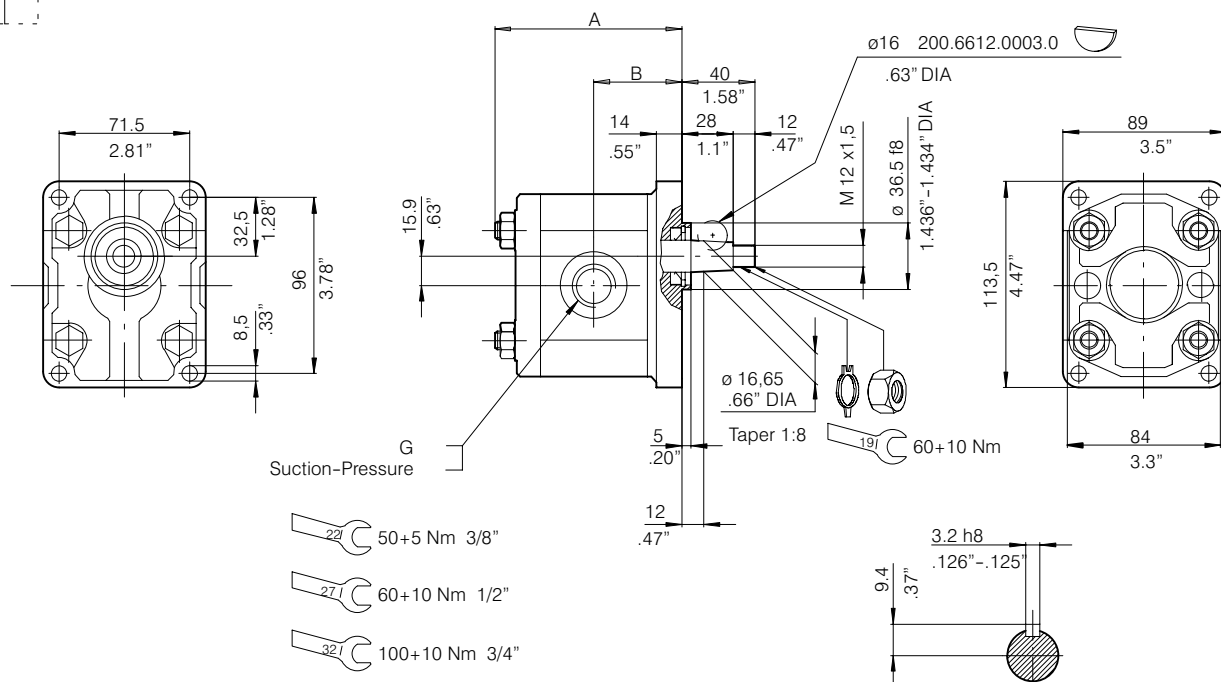
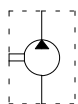
- For uses at the operating limits, see note on page 9/104.
- For codes and dimensions regarding accessories, see section 7.
- For the types of pumps without ordering code, contact our Sales Department.



Type	Displacement cm <sup>3</sup> /rev	Dimensions				Suction					Pressure				
		A		B		d		D		F	d		D		F
		mm	inch	mm	inch	mm	inch	mm	inch	mm	mm	inch	mm	inch	mm
<b>AP200/4.5</b>	4.3	88	3.46	40.3	1.59	13.5	.53	30	1.18	M6X1	13.5	.53	30	1.18	M6X1
<b>AP200/6.5</b>	6.3														
<b>AP200/8.5</b>	8.3														
<b>AP200/11</b>	10.95	104	4.09	48.3	1.90	19	.75	40	1.58	M8X1.25	19	.75	40	1.58	M8X1.25
<b>AP200/15</b>	14.95														
<b>AP200/19</b>	18.9	118	4.64	56.5	2.22	19	.75	40	1.58	M8X1.25	19	.75	40	1.58	M8X1.25
<b>AP200/22</b>	21.9														
<b>AP200/26</b>	25.9														

**Accessories**

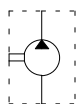
Type	Order Code	Clockwise rotation: D	Type	Order Code	C.clockwise rotation: S	Flange connectors	Splined couplings
AP200/4.5 D	<b>200.1021.132.02</b>		AP200/4.5 S	<b>200.1021.133.02</b>		RF223	GSH-2-14
AP200/6.5 D	<b>200.1022.132.02</b>		AP200/6.5 S	<b>200.1022.133.05</b>		RF224	GSH-2-15
AP200/8.5 D	<b>200.1023.132.02</b>		AP200/8.5 S	<b>200.1023.133.02</b>		RF225	GSH-2-18
AP200/11 D	<b>200.1024.132.02</b>		AP200/11 S	<b>200.1024.133.02</b>		RF238	
AP200/15 D	<b>200.1025.132.02</b>		AP200/15 S	<b>200.1025.133.02</b>		RF246	
AP200/19 D	<b>200.1026.132.02</b>		AP200/19 S	<b>200.1026.133.02</b>		RF251	
AP200/22 D	<b>200.1027.132.02</b>		AP200/22 S	<b>200.1027.133.02</b>			
AP200/26 D	<b>200.1028.132.02</b>		AP200/26 S	<b>200.1028.133.02</b>			



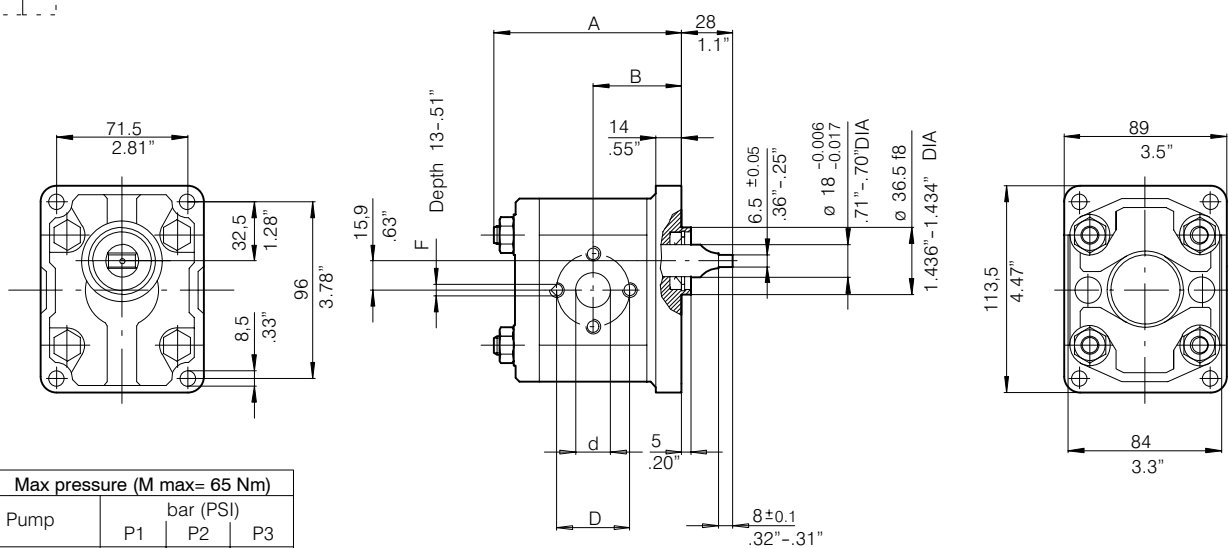
Type	Displacement cm <sup>3</sup> /rev	Dimensions				Suction	Pressure
		A		B		G	G
		mm	inch.	mm	inch.	BSPP	BSPP
<b>AP200/4.5</b>	4.3	88	3.46	40.3	1.59	3/8"	3/8"
<b>AP200/6.5</b>	6.3						
<b>AP200/8.5</b>	8.3						
<b>AP200/11</b>	10.95	104	4.09	48.3	1.90	1/2"	1/2"
<b>AP200/15</b>	14.95						
<b>AP200/19</b>	18.9	114	4.50	54.3	2.14	3/4"	1/2"
<b>AP200/22</b>	21.9	118	4.64	56.5	2.22		
<b>AP200/26</b>	25.9						

**Accessories**

Type	Order Code	Clockwise rotation: D	Type	Order Code	C.clockwise rotation: S	Flange connectors	Splined couplings
AP200/4.5 D	<b>200.1021.132.04</b>		AP200/4.5 S	<b>200.1021.133.03</b>			GSH-2-14
AP200/6.5 D	<b>200.1022.132.03</b>		AP200/6.5 S	<b>200.1022.133.04</b>		GSH-2-15	
AP200/8.5 D	<b>200.1023.132.04</b>		AP200/8.5 S	<b>200.1023.133.03</b>		GSH-2-18	
AP200/11 D	<b>200.1024.132.04</b>		AP200/11 S	<b>200.1024.133.05</b>			
AP200/15 D	<b>200.1025.132.07</b>		AP200/15 S	<b>200.1025.133.05</b>			
AP200/19 D	<b>200.1026.132.05</b>		AP200/19 S	<b>200.1026.133.04</b>			
AP200/22 D	<b>200.1027.132.05</b>		AP200/22 S	<b>200.1027.133.03</b>			
AP200/26 D	<b>200.1028.132.03</b>		AP200/26 S	<b>200.1028.133.04</b>			



Group **AP200** Code **219A**



Max pressure (M max= 65 Nm)			
Pump	bar (PSI)		
	P1	P2	P3
AP200/15	180 (2600)	210 (3000)	230 (3300)
AP200/19	140 (2000)	165 (2400)	185 (2650)
AP200/22	120 (1700)	145 (2050)	165 (2350)
AP200/26	100 (1450)	120 (1750)	140 (2000)

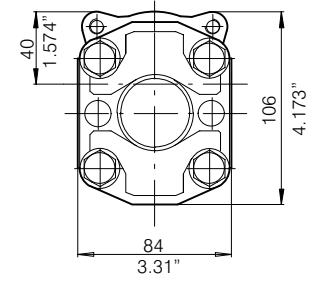
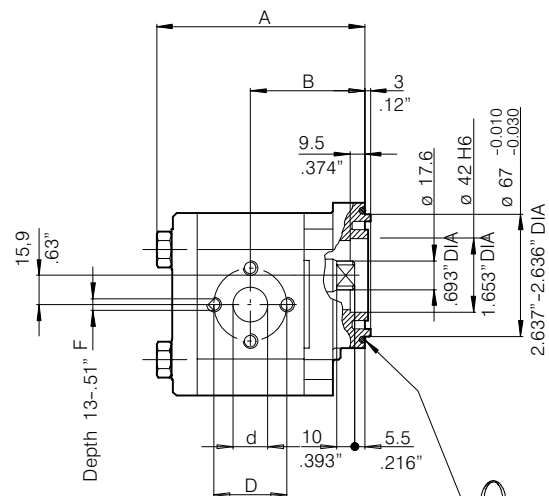
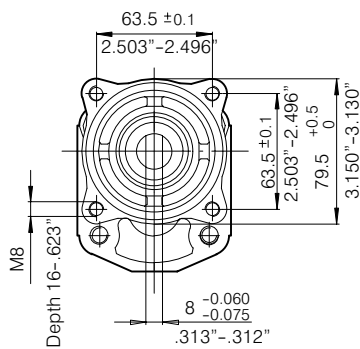
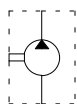
Type	Displacement cm <sup>3</sup> /rev	Dimensions				Suction					Pressure				
		A		B		d		D		F	d		D		F
		mm	inch	mm	inch	mm	inch	mm	inch	mm	mm	inch	mm	inch	mm
<b>AP200/4.5</b>	4.3														
<b>AP200/6.5</b>	6.3	88	3.46	40.3	1.59	13.5	.53	30	1.18	M6X1	13.5	.53	30	1.18	M6X1
<b>AP200/8.5</b>	8.3														
<b>AP200/11</b>	10.95	104	4.09	48.3	1.90										
<b>AP200/15</b>	14.95										19	.75	40	1.58	M8X1.25
<b>AP200/19</b>	18.9	114	4.50	54.3	2.14	19	.75	40	1.58	M8X1.25					
<b>AP200/22</b>	21.9										19	.75	40	1.58	M8X1.25
<b>AP200/26</b>	25.9	118	4.64	56.5	2.22										

### Accessories

Type	Order Code	Clockwise rotation: D	Type	Order Code	C.clockwise rotation: S	Flange connectors	Splined couplings
AP200/4.5 D			AP200/4.5 S			RF223	
AP200/6.5 D			AP200/6.5 S			RF224	
AP200/8.5 D			AP200/8.5 S			RF225	
AP200/11 D			AP200/11 S			RF238	
AP200/15 D			AP200/15 S			RF246	
AP200/19 D	<b>200.1026.142.02</b>		AP200/19 S			RF251	
AP200/22 D			AP200/22 S				
AP200/26 D			AP200/26 S				

N.B.: With respect to the standards, the maximum pressures of some versions of this pump are reduced in relation to the max. torque allowed to the shaft.

Group **AP200** Code **279**



OR 68.0X3.0 - 70Sh

Max pressure (M max= 65 Nm)			
Pump	bar (PSI)		
	P1	P2	P3
AP200/15	180 (2600)	210 (3000)	230 (3300)
AP200/19	140 (2000)	165 (2400)	185 (2650)
AP200/22	120 (1700)	145 (2050)	165 (2350)
AP200/26	100 (1450)	120 (1750)	140 (2000)

Type	Displacement cm <sup>3</sup> /rev	Dimensions				Suction					Pressure				
		A		B		d		D		F	d		D		F
		mm	inch	mm	inch	mm	inch	mm	inch	mm	mm	inch	mm	inch	mm
<b>AP200/4.5</b>	4.3	98	3.86	55	2.17	13.5	.53	30	1.18	M6X1	13.5	.53	30	1.18	M6X1
<b>AP200/6.5</b>	6.3														
<b>AP200/8.5</b>	8.3														
<b>AP200/11</b>	10.95	114	4.5	63	2.48	19	.75	40	1.58	M8X1.25	19	.75	40	1.58	M8X1.25
<b>AP200/15</b>	14.95														
<b>AP200/19</b>	18.9														
<b>AP200/22</b>	21.9	131	5.15	71	2.79	19	.75	40	1.58	M8X1.25	19	.75	40	1.58	M8X1.25
<b>AP200/26</b>	25.9														

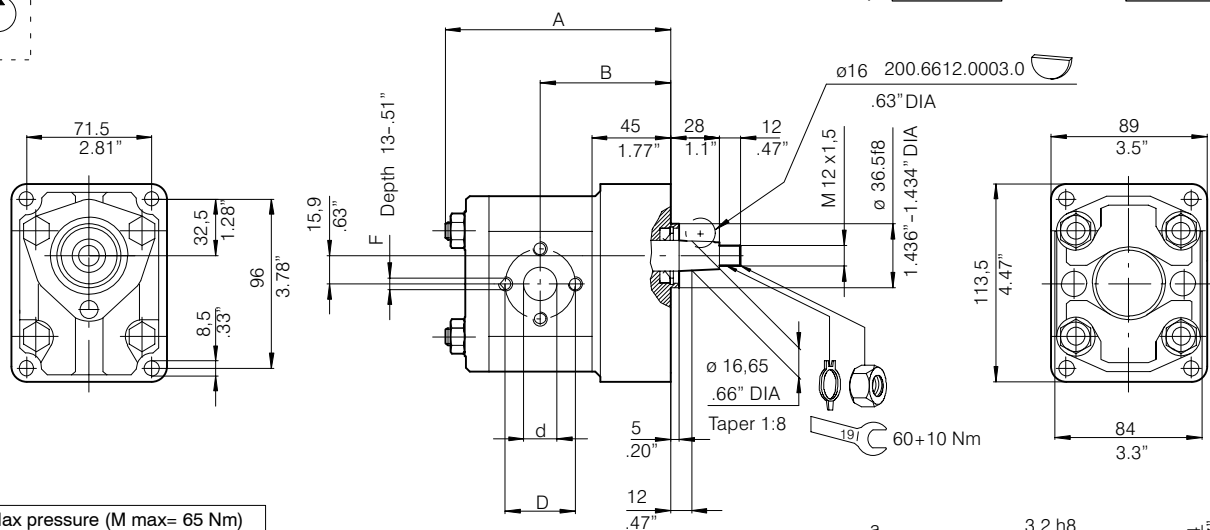
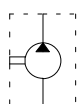
**Accessories**

Type	Order Code	Clockwise rotation: D	Type	Order Code	C.clockwise rotation: S	Flange connectors	Splined couplings
AP200/4.5 D	<b>200.1021.942.01</b>		AP200/4.5 S			RF223	
AP200/6.5 D	<b>200.1022.942.01</b>		AP200/6.5 S			RF224	
AP200/8.5 D	<b>200.1023.942.01</b>		AP200/8.5 S	<b>200.1023.943.02</b>		RF225	
AP200/11 D	<b>200.1024.942.01</b>		AP200/11 S			RF238	
AP200/15 D	<b>200.1025.942.03</b>		AP200/15 S			RF246	
AP200/19 D	<b>200.1026.942.01</b>		AP200/19 S			RF251	
AP200/22 D	<b>200.1027.942.01</b>		AP200/22 S				
AP200/26 D	<b>200.1028.942.01</b>		AP200/26 S				

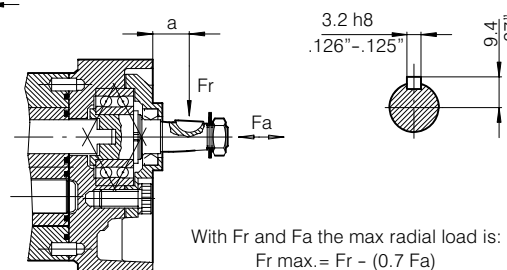
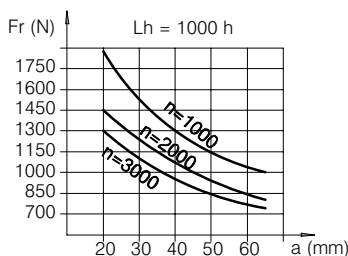
N.B.: With respect to the standards, the maximum pressures of some versions of this pump are reduced in relation to the max. torque allowed to the shaft.



Group **AP200** Code **201K8**



Max pressure (M max= 65 Nm)			
Pump	bar (PSI)		
	P1	P2	P3
AP200/15	180 (2600)	210 (3000)	230 (3300)
AP200/19	140 (2000)	165 (2400)	185 (2650)
AP200/22	120 (1700)	145 (2050)	165 (2350)
AP200/26	100 (1450)	120 (1750)	140 (2000)



With Fr and Fa the max radial load is:  
 $Fr_{max} = Fr - (0.7 Fa)$

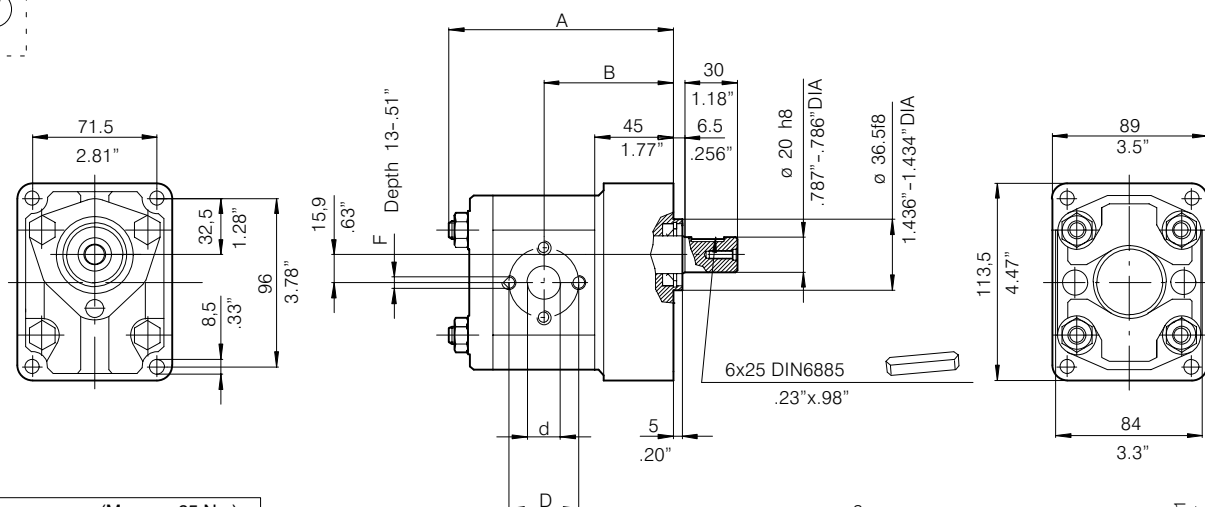
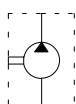
Type	Displacement cm <sup>3</sup> /rev	Dimensions				Suction					Pressure				
		A		B		d		D		F	d		D		F
		mm	inch	mm	inch	mm	inch	mm	inch	mm	mm	inch	mm	inch	mm
<b>AP200/4.5</b>	4.3														
<b>AP200/6.5</b>	6.3	113	4.4	66.3	2.61	13.5	.53	30	1.18	M6X1	13.5	.53	30	1.18	M6X1
<b>AP200/8.5</b>	8.3														
<b>AP200/11</b>	10.95	129	5	74.3	2.92										
<b>AP200/15</b>	14.95														
<b>AP200/19</b>	18.9	143	5.6	80.3	3.16	19	.75	40	1.58	M8X1.25	19	.75	40	1.58	M8X1.25
<b>AP200/22</b>	21.9														
<b>AP200/26</b>	25.9	148	5.8	82.5	3.25										

**Accessories**

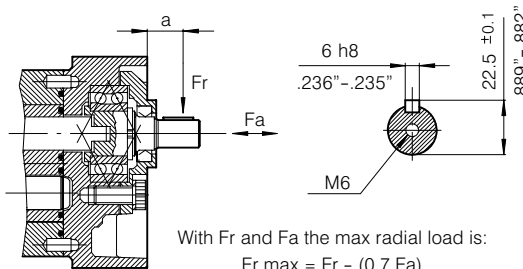
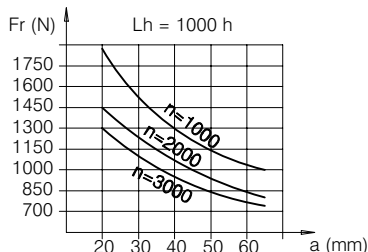
Type	Order Code	Clockwise rotation: D	Type	Order Code	C.clockwise rotation: S	Flange connectors	Spined couplings
AP200/4.5 D	<b>200.1021.132.06</b>		AP200/4.5 S	<b>200.1021.133.01</b>		RF223	GSH-2-14
AP200/6.5 D	<b>200.1022.132.01</b>		AP200/6.5 S	<b>200.1022.133.01</b>		RF224	GSH-2-15
AP200/8.5 D	<b>200.1023.132.01</b>		AP200/8.5 S	<b>200.1023.133.01</b>		RF225	GSH-2-18
AP200/11 D	<b>200.1024.132.01</b>		AP200/11 S	<b>200.1024.133.01</b>		RF238	
AP200/15 D	<b>200.1025.132.01</b>		AP200/15 S	<b>200.1025.133.01</b>		RF246	
AP200/19 D	<b>200.1026.132.01</b>		AP200/19 S	<b>200.1026.133.01</b>		RF251	
AP200/22 D	<b>200.1027.132.01</b>		AP200/22 S	<b>200.1027.133.01</b>			
AP200/26 D	<b>200.1028.132.01</b>		AP200/26 S	<b>200.1028.133.01</b>			

N.B.: With respect to the standards, the maximum pressures of some versions of this pump are reduced in relation to the max. torque allowed to the shaft.

Group **AP200** Code **201K0**



Max pressure (M max= 65 Nm)			
Pump	bar (PSI)		
	P1	P2	P3
AP200/15	180 (2600)	210 (3000)	230 (3300)
AP200/19	140 (2000)	165 (2400)	185 (2650)
AP200/22	120 (1700)	145 (2050)	165 (2350)
AP200/26	100 (1450)	120 (1750)	140 (2000)



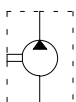
With  $F_r$  and  $F_a$  the max radial load is:  
 $F_r \text{ max.} = F_r - (0.7 F_a)$

Type	Displacement cm <sup>3</sup> /rev	Dimensions				Suction					Pressure				
		A		B		d		D		F	d		D		F
		mm	inch	mm	inch	mm	inch	mm	inch	mm	mm	inch	mm	inch	mm
<b>AP200/4.5</b>	4.3														
<b>AP200/6.5</b>	6.3	113	4.4	66.3	2.61	13.5	.53	30	1.18	M6X1	13.5	.53	30	1.18	M6X1
<b>AP200/8.5</b>	8.3														
<b>AP200/11</b>	10.95	129	5	74.3	2.92										
<b>AP200/15</b>	14.95														
<b>AP200/19</b>	18.9	143	5.6	80.3	3.16	19	.75	40	1.58	M8X1.25	19	.75	40	1.58	M8X1.25
<b>AP200/22</b>	21.9														
<b>AP200/26</b>	25.9	148	5.8	82.5	3.25										

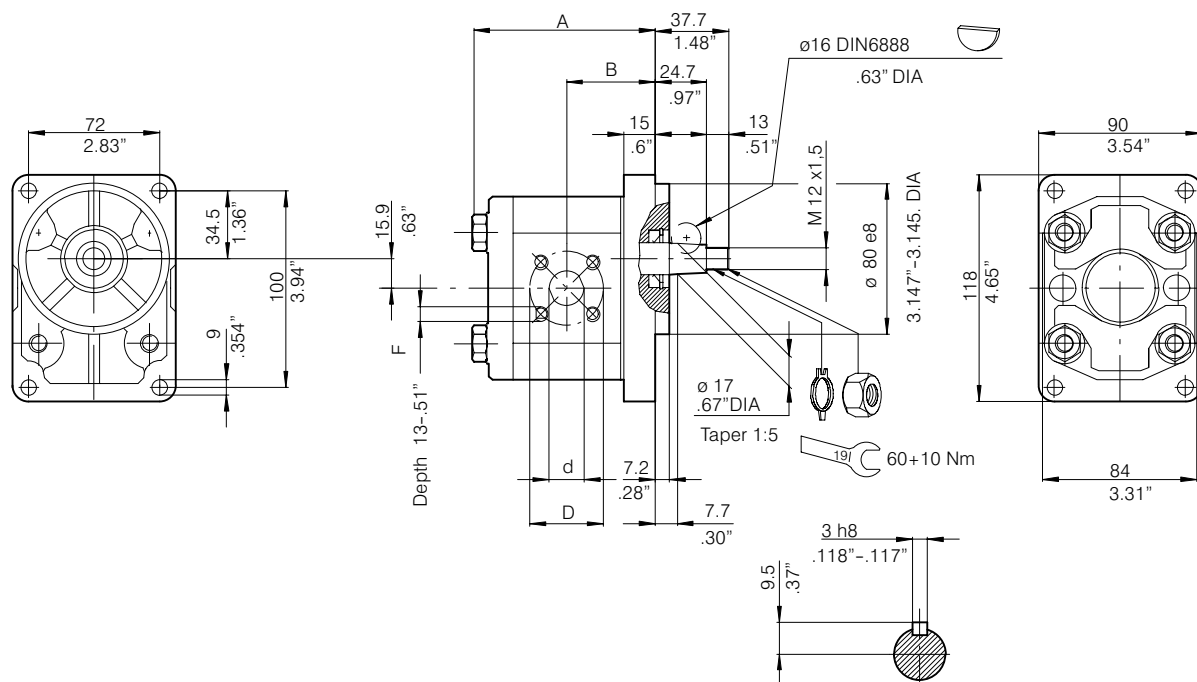
**Accessories**

Type	Order Code	Clockwise rotation: D	Type	Order Code	C.clockwise rotation: S	Flange connectors	Spined couplings
AP200/4.5 D	<b>200.1021.102.01</b>			AP200/4.5 S		<b>200.1021.103.01</b>	
AP200/6.5 D	<b>200.1022.102.01</b>	AP200/6.5 S		<b>200.1022.103.01</b>	RF224		
AP200/8.5 D	<b>200.1023.102.01</b>	AP200/8.5 S		<b>200.1023.103.01</b>	RF225		
AP200/11 D	<b>200.1024.102.01</b>	AP200/11 S		<b>200.1024.103.01</b>	RF238		
AP200/15 D	<b>200.1025.102.01</b>	AP200/15 S		<b>200.1025.103.01</b>	RF246		
AP200/19 D	<b>200.1026.102.01</b>	AP200/19 S		<b>200.1026.103.01</b>	RF251		
AP200/22 D	<b>200.1027.102.01</b>	AP200/22 S		<b>200.1027.103.01</b>			
AP200/26 D	<b>200.1028.102.01</b>	AP200/26 S		<b>200.1028.103.01</b>			

N.B.: With respect to the standards, the maximum pressures of some versions of this pump are reduced in relation to the max. torque allowed to the shaft.



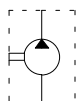
Group **AP200** Code **225**



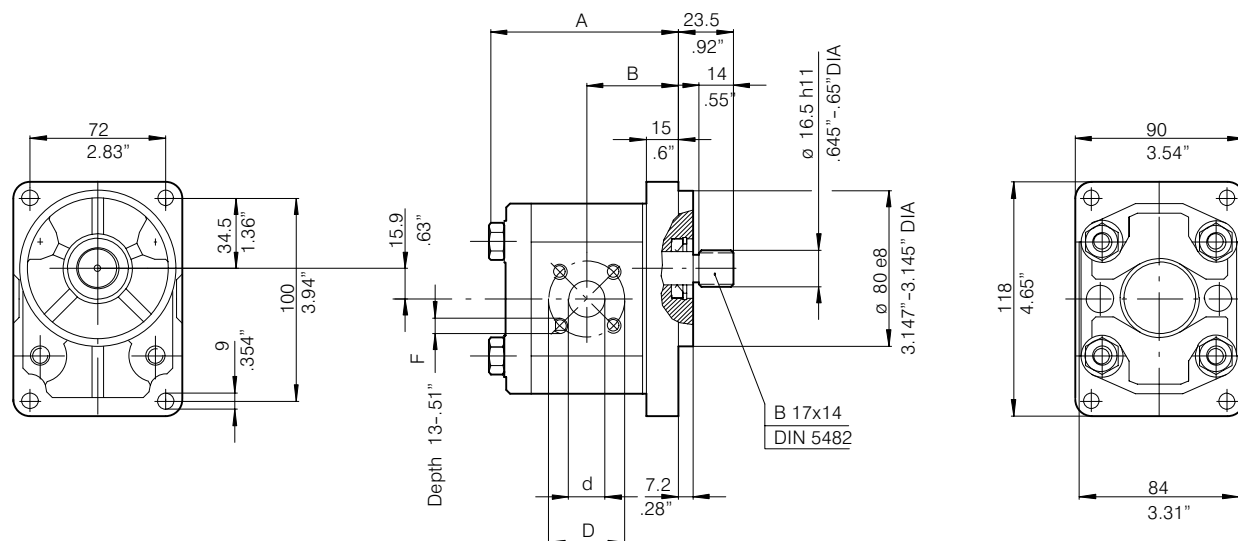
Type	Displacement cm <sup>3</sup> /rev	Dimensions				Suction					Pressure				
		A		B		d		D		F	d		D		F
		mm	inch	mm	inch	mm	inch	mm	inch	mm	mm	inch	mm	inch	mm
<b>AP200/4.5</b>	4.3														
<b>AP200/6.5</b>	6.3	85	3.35	41.3	1.63	15	.59								
<b>AP200/8.5</b>	8.3														
<b>AP200/11</b>	10.95	101	4	49.3	1.94	20	.79	40	1.58	M6X1	15	.59	35	1.38	M6X1
<b>AP200/15</b>	14.95														
<b>AP200/19</b>	18.9														
<b>AP200/22</b>	21.9														

**Accessories**

Type	Order Code	Clockwise rotation: D	Type	Order Code	C.clockwise rotation: S	Flange connectors	Splined couplings
AP200/4.5 D	<b>200.1021.222.03</b>		AP200/4.5 S	<b>200.1021.223.03</b>		RF221	GSH-2B-14
AP200/6.5 D	<b>200.1022.222.03</b>		AP200/6.5 S	<b>200.1022.223.03</b>		RF262	GSH-2B-15
AP200/8.5 D	<b>200.1023.222.03</b>		AP200/8.5 S	<b>200.1023.223.03</b>		RF216	GSH-2B-18
AP200/11 D	<b>200.1024.222.02</b>		AP200/11 S	<b>200.1024.223.02</b>		RF252	
AP200/15 D	<b>200.1025.222.03</b>		AP200/15 S	<b>200.1025.223.01</b>		RF217	
AP200/19 D	<b>200.1026.222.03</b>		AP200/19 S	<b>200.1026.223.03</b>		RF220	
AP200/22 D	<b>200.1027.222.03</b>		AP200/22 S	<b>200.1027.223.01</b>			



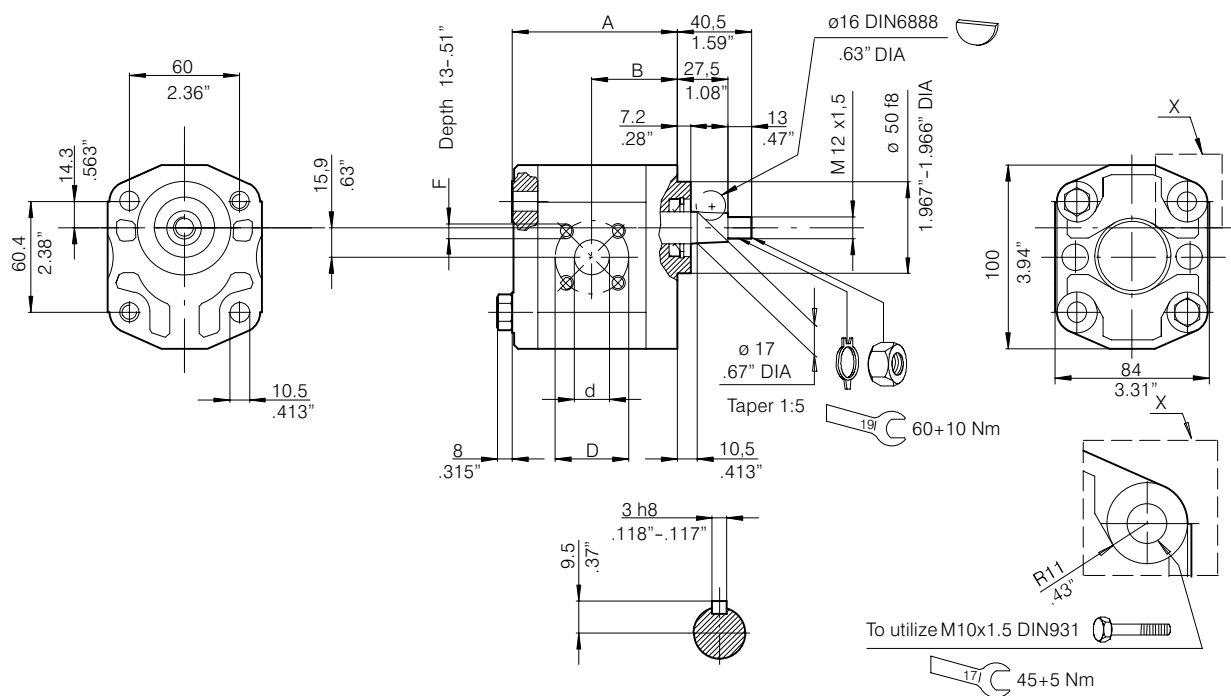
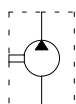
Group **AP200** Code **227**



Type	Displacement cm <sup>3</sup> /rev	Dimensions				Suction					Pressure				
		A		B		d		D		F	d		D		F
		mm	inch	mm	inch	mm	inch	mm	inch	mm	mm	inch	mm	inch	mm
<b>AP200/4.5</b>	4.3														
<b>AP200/6.5</b>	6.3	85	3.35	41.3	1.63	15	.59								
<b>AP200/8.5</b>	8.3														
<b>AP200/11</b>	10.95	101	4	49.3	1.94			40	1.58	M6X1	15	.59	35	1.38	M6X1
<b>AP200/15</b>	14.95														
<b>AP200/19</b>	18.9	113	4.44	55.3	2.18	20	.79								
<b>AP200/22</b>	21.9	117	4.60	57.5	2.26										
<b>AP200/26</b>	25.9														

**Accessories**

Type	Order Code	Clockwise rotation: D	Type	Order Code	C.clockwise rotation: S	Flange connectors	Splined couplings
AP200/4.5 D	<b>200.1021.252.01</b>		AP200/4.5 S	<b>200.1021.253.01</b>		RF221	
AP200/6.5 D	<b>200.1022.252.01</b>		AP200/6.5 S	<b>200.1022.253.01</b>		RF262	
AP200/8.5 D	<b>200.1023.252.01</b>		AP200/8.5 S	<b>200.1023.253.01</b>		RF216	
AP200/11 D	<b>200.1024.252.01</b>		AP200/11 S	<b>200.1024.253.01</b>		RF252	
AP200/15 D	<b>200.1025.252.01</b>		AP200/15 S	<b>200.1025.253.01</b>		RF217	
AP200/19 D	<b>200.1026.252.01</b>		AP200/19 S	<b>200.1026.253.01</b>		RF220	
AP200/22 D	<b>200.1027.252.01</b>		AP200/22 S	<b>200.1027.253.01</b>			
AP200/26 D	<b>200.1028.252.01</b>		AP200/26 S	<b>200.1028.253.01</b>			

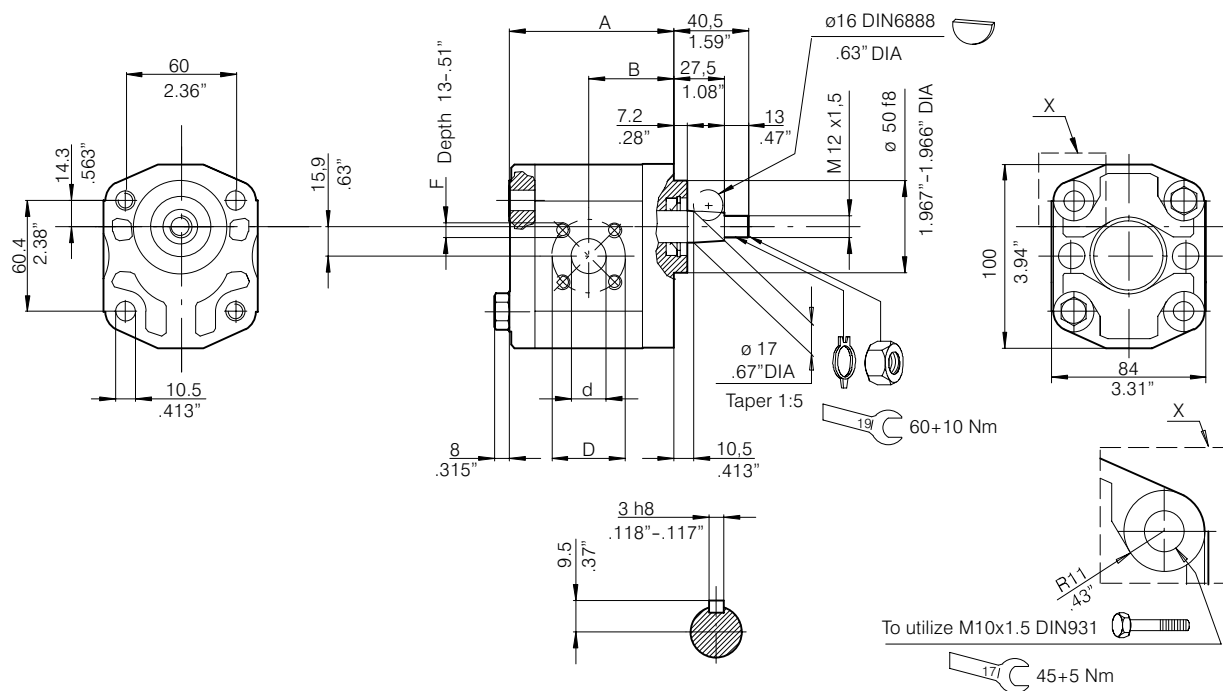
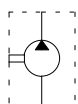


Type	Displacement cm <sup>3</sup> /rev	Dimensions				Suction					Pressure				
		A		B		d		D		F	d		D		F
		mm	inch	mm	inch	mm	inch	mm	inch	mm	mm	inch	mm	inch	mm
<b>AP200/4.5</b>	4.3	74	2.9	40	1.57	15	.59	40	1.58	M6X1	15	.59	35	1.38	M6X1
<b>AP200/6.5</b>	6.3														
<b>AP200/8.5</b>	8.3														
<b>AP200/11</b>	10.95	90	3.55	46.5	1.83	20	.79	40	1.58	M6X1	15	.59	35	1.38	M6X1
<b>AP200/15</b>	14.95														
<b>AP200/19</b>	18.9														
<b>AP200/22</b>	21.9	106	4.17	54.5	2.15										

**Accessories**

Type	Order Code	Clockwise rotation: D	Type	Order Code	C.clockwise rotation: S	Flange connectors	Splined couplings
AP200/4.5 D	<b>200.1021.322.01</b>		AP200/4.5 S	<b>200.1021.323.01</b>		RF221	GSH-2B-14
AP200/6.5 D	<b>200.1022.322.01</b>		AP200/6.5 S	<b>200.1022.323.01</b>		RF262	GSH-2B-15
AP200/8.5 D	<b>200.1023.322.01</b>		AP200/8.5 S	<b>200.1023.323.01</b>		RF216	GSH-2B-18
AP200/11 D	<b>200.1024.322.01</b>		AP200/11 S	<b>200.1024.323.02</b>		RF252	
AP200/15 D	<b>200.1025.322.02</b>		AP200/15 S	<b>200.1025.353.01</b>		RF217	
AP200/19 D	<b>200.1026.322.01</b>		AP200/19 S	<b>200.1026.323.01</b>		RF220	
AP200/22 D	<b>200.1027.322.01</b>		AP200/22 S	<b>200.1027.323.01</b>			

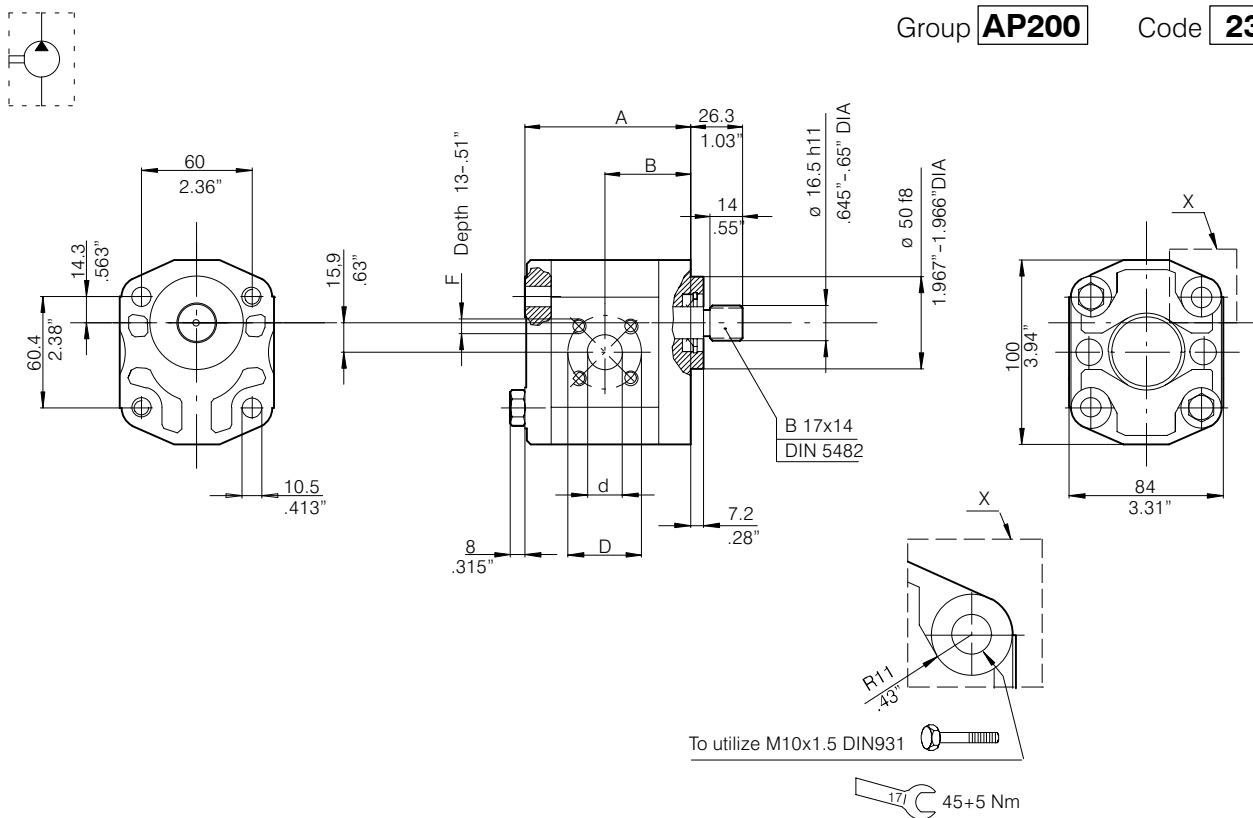
Group **AP200** Code **245**



Type	Displacement cm <sup>3</sup> /rev	Dimensions				Suction					Pressure				
		A		B		d		D		F	d		D		F
		mm	inch	mm	inch	mm	inch	mm	inch	mm	mm	inch	mm	inch	mm
<b>AP200/4.5</b>	4.3	74	2.9	40	1.57	15	.59	40	1.58	M6X1	15	.59	35	1.38	M6X1
<b>AP200/6.5</b>	6.3														
<b>AP200/8.5</b>	8.3														
<b>AP200/11</b>	10.95	90	3.55	46.5	1.83	20	.79	40	1.58	M6X1	15	.59	35	1.38	M6X1
<b>AP200/15</b>	14.95														
<b>AP200/19</b>	18.9	102	4	52.3	2.06										
<b>AP200/22</b>	21.9	106	4.17	54.5	2.15										

**Accessories**

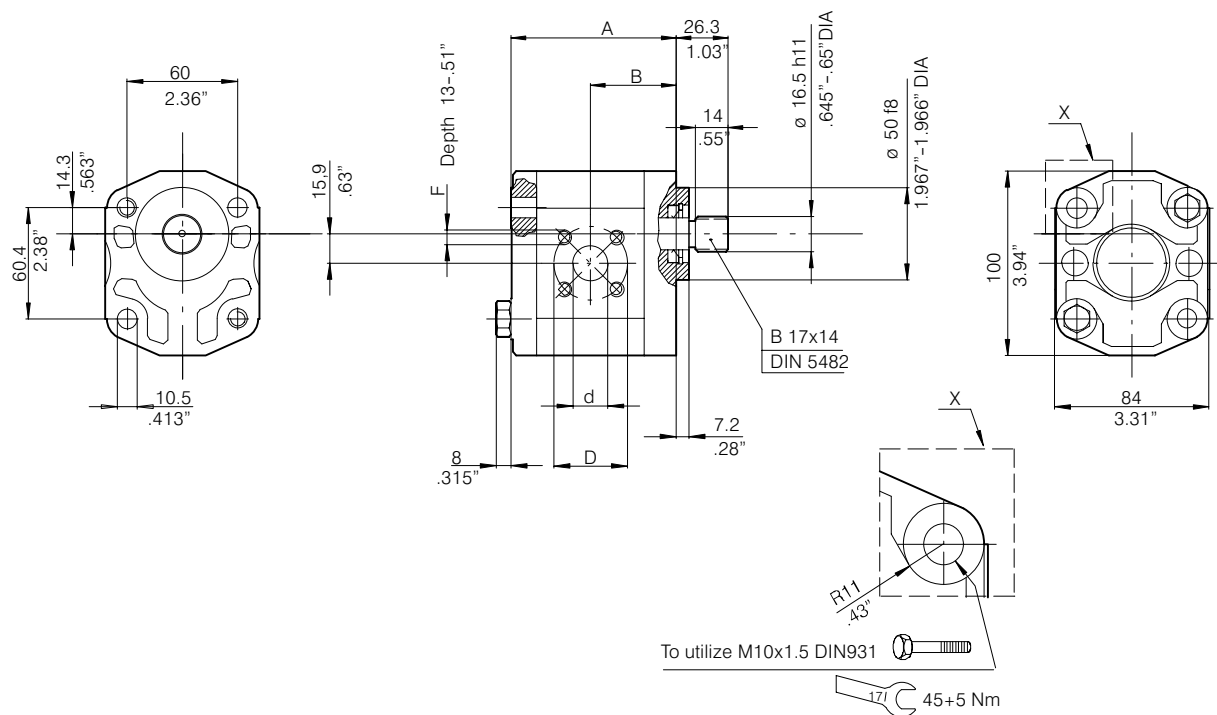
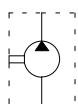
Type	Order Code	Clockwise rotation: D	Type	Order Code	C.clockwise rotation: S	Flange connectors	Splined couplings
AP200/4.5 D	<b>200.1021.422.02</b>		AP200/4.5 S	<b>200.1021.423.02</b>		RF221	GSH-2B-14
AP200/6.5 D	<b>200.1022.422.02</b>		AP200/6.5 S	<b>200.1022.423.02</b>		RF262	GSH-2B-15
AP200/8.5 D	<b>200.1023.422.02</b>		AP200/8.5 S	<b>200.1023.423.02</b>		RF216	GSH-2B-18
AP200/11 D	<b>200.1024.422.01</b>		AP200/11 S	<b>200.1024.423.01</b>		RF252	
AP200/15 D	<b>200.1025.422.03</b>		AP200/15 S	<b>200.1025.423.01</b>		RF217	
AP200/19 D	<b>200.1026.422.02</b>		AP200/19 S	<b>200.1026.423.02</b>		RF220	
AP200/22 D	<b>200.1027.422.02</b>		AP200/22 S	<b>200.1027.423.01</b>			



Type	Displacement cm <sup>3</sup> /rev	Dimensions				Suction					Pressure				
		A		B		d		D		F	d		D		F
		mm	inch	mm	inch	mm	inch	mm	inch	mm	mm	inch	mm	inch	mm
<b>AP200/4.5</b>	4.3	74	2.9	40	1.57	15	.59	40	1.58	M6X1	15	.59	35	1.38	M6X1
<b>AP200/6.5</b>	6.3														
<b>AP200/8.5</b>	8.3														
<b>AP200/11</b>	10.95	90	3.55	46.5	1.83	20	.79	40	1.58	M6X1	15	.59	35	1.38	M6X1
<b>AP200/15</b>	14.95														
<b>AP200/19</b>	18.9	102	4	52.3	2.06	20	.79	40	1.58	M6X1	15	.59	35	1.38	M6X1
<b>AP200/22</b>	21.9	106	4.17	54.5	2.15										

**Accessories**

Type	Order Code	Clockwise rotation: D	Type	Order Code	C.clockwise rotation: S	Flange connectors	Splined couplings
AP200/4.5 D			AP200/4.5 S			RF221	GSH-2B-14
AP200/6.5 D			AP200/6.5 S			RF262	GSH-2B-15
AP200/8.5 D	<b>200.1023.352.01</b>		AP200/8.5 S			RF216	GSH-2B-18
AP200/11 D	<b>200.1024.352.02</b>		AP200/11 S			RF252	
AP200/15 D			AP200/15 S			RF217	
AP200/19 D			AP200/19 S			RF220	
AP200/22 D	<b>200.1027.352.01</b>		AP200/22 S				



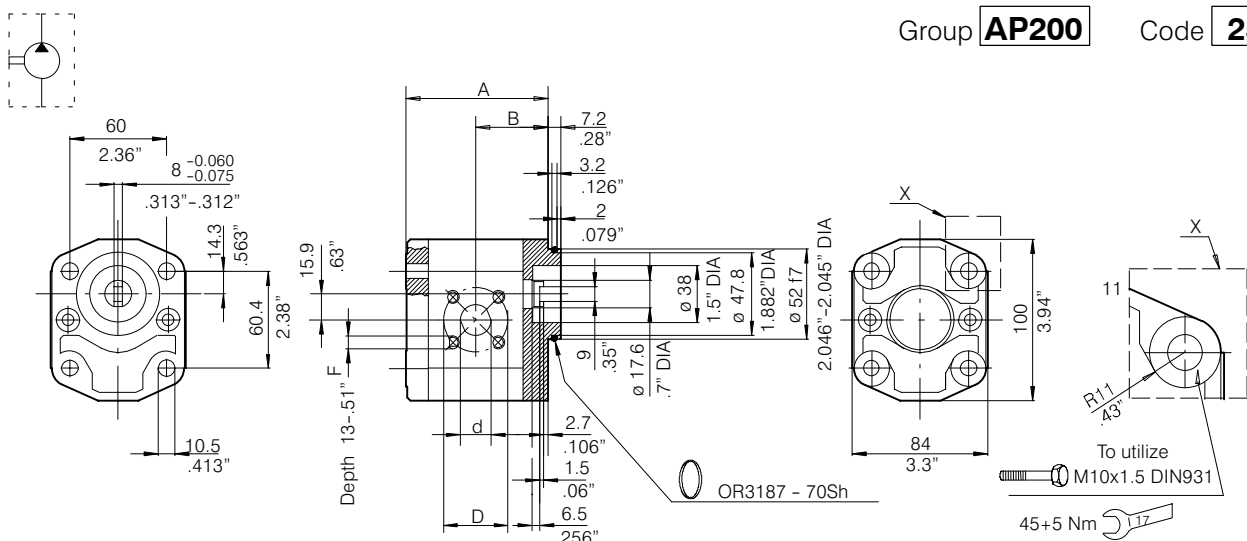
Type	Displacement cm <sup>3</sup> /rev	Dimensions				Suction					Pressure				
		A		B		d		D		F	d		D		F
		mm	inch	mm	inch	mm	inch	mm	inch	mm	mm	inch	mm	inch	mm
<b>AP200/4.5</b>	4.3	74	2.9	40	1.57	15	.59	40	1.58	M6X1	15	.59	35	1.38	M6X1
<b>AP200/6.5</b>	6.3														
<b>AP200/8.5</b>	8.3														
<b>AP200/11</b>	10.95	90	3.55	46.5	1.83	20	.79	40	1.58	M6X1	15	.59	35	1.38	M6X1
<b>AP200/15</b>	14.95														
<b>AP200/19</b>	18.9														
<b>AP200/22</b>	21.9	106	4.17	54.5	2.15										

**Accessories**

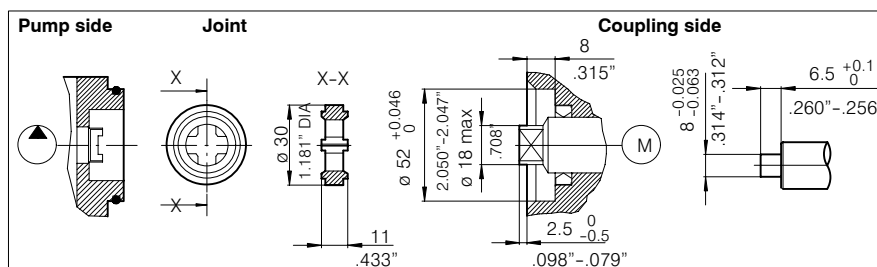
Type	Order Code	Clockwise rotation: D	Type	Order Code	C.clockwise rotation: S	Flange connectors	Spined couplings
AP200/4.5 D			AP200/4.5 S			RF221	GSH-2B-14
AP200/6.5 D			AP200/6.5 S			RF262	GSH-2B-15
AP200/8.5 D	<b>200.1023.452.01</b>		AP200/8.5 S			RF216	GSH-2B-18
AP200/11 D	<b>200.1024.452.01</b>		AP200/11 S	<b>200.1024.453.01</b>		RF252	
AP200/15 D			AP200/15 S			RF217	
AP200/19 D	<b>200.1026.452.01</b>		AP200/19 S	<b>200.1026.453.01</b>		RF220	
AP200/22 D	<b>200.1027.452.01</b>		AP200/22 S				



Group **AP200** Code **259**



Max pressure (M max= 65 Nm)			
Pump	bar (PSI)		
	P1	P2	P3
AP200/15	180 (2600)	210 (3000)	230 (3300)
AP200/19	140 (2000)	165 (2400)	185 (2650)
AP200/22	120 (1700)	145 (2050)	165 (2350)
AP200/26	100 (1450)	120 (1750)	140 (2000)



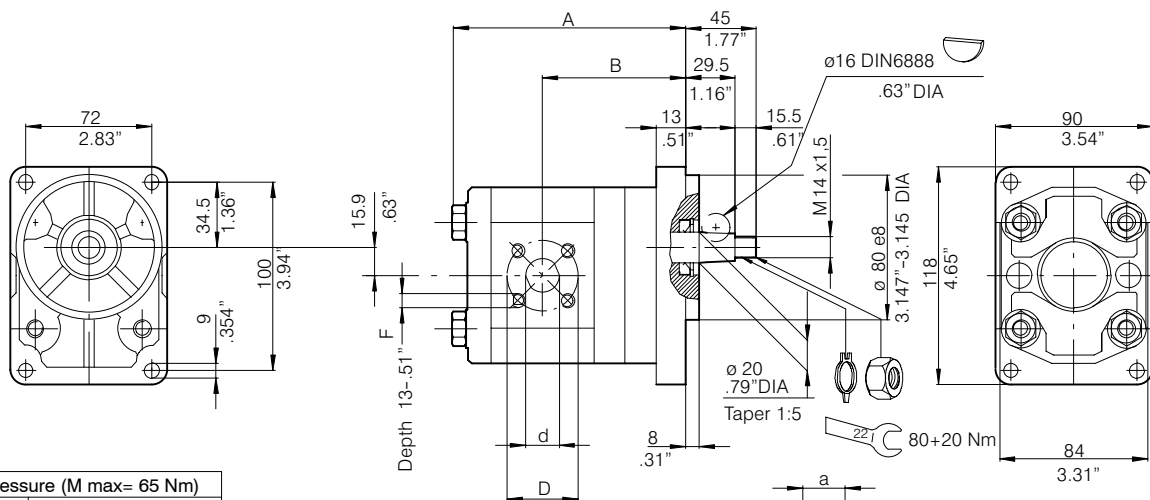
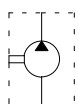
Type	Displacement cm <sup>3</sup> /rev	Dimensions				Suction				Pressure					
		A		B		d		D		d		D		F	
		mm	inch	mm	inch	mm	inch	mm	inch	mm	inch	mm	inch	mm	
<b>AP200/4.5</b>	4.3														
<b>AP200/6.5</b>	6.3	74	2.9	38.5	1.51	15	.59								
<b>AP200/8.5</b>	8.3														
<b>AP200/11</b>	10.95	90	3.54	46.5	1.83			40	1.58	M6X1	15	.59	35	1.38	M6X1
<b>AP200/15</b>	14.95					20	.79								
<b>AP200/19</b>	18.9	102	4	52.5	2.06										
<b>AP200/22</b>	21.9	106	4.2	54.8	2.16										

### Accessories

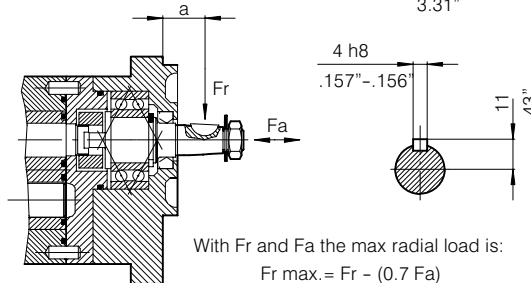
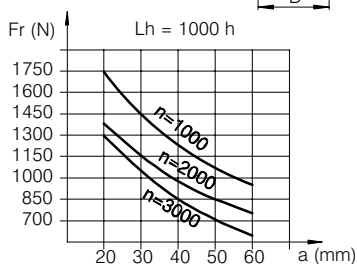
Type	Order Code	Clockwise rotation: D	Type	Order Code	C.clockwise rotation: S	Flange connectors	Spined couplings
AP200/4.5 D	<b>200.1021.542.01</b>			AP200/4.5 S		<b>200.1021.543.02</b>	
AP200/6.5 D	<b>200.1022.542.01</b>	AP200/6.5 S		<b>200.1022.543.01</b>	RF262		
AP200/8.5 D	<b>200.1023.542.01</b>	AP200/8.5 S		<b>200.1023.543.01</b>	RF216		
AP200/11 D	<b>200.1024.542.01</b>	AP200/11 S		<b>200.1024.543.01</b>	RF252		
AP200/15 D	<b>200.1025.542.02</b>	AP200/15 S		<b>200.1025.543.01</b>	RF217		
AP200/19 D	<b>200.1026.542.01</b>	AP200/19 S		<b>200.1026.543.01</b>	RF220		
AP200/22 D	<b>200.1027.542.01</b>	AP200/22 S		<b>200.1027.543.01</b>			

N.B.: With respect to the standards, the maximum pressures of some versions of this pump are reduced in relation to the max. torque allowed to the shaft.

Group **AP200** Code **225KM5**



Pump	Max pressure (M max= 65 Nm)		
	P1	P2	P3
AP200/15	180 (2600)	210 (3000)	230 (3300)
AP200/19	140 (2000)	165 (2400)	185 (2650)
AP200/22	120 (1700)	145 (2050)	165 (2350)
AP200/26	100 (1450)	120 (1750)	140 (2000)

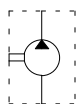


Type	Displacement cm <sup>3</sup> /rev	Dimensions				Suction				Pressure					
		A		B		d		D		d		D		F	
		mm	inch	mm	inch	mm	inch	mm	inch	mm	inch	mm	inch	mm	
<b>AP200/4.5</b>	4.3														
<b>AP200/6.5</b>	6.3	116	4.56	72.5	2.85	15	.59								
<b>AP200/8.5</b>	8.3														
<b>AP200/11</b>	10.95	132	5.20	80.5	3.17			40	1.58	M6X1	15	.59	35	1.38	M6X1
<b>AP200/15</b>	14.95														
<b>AP200/19</b>	18.9	144	5.67	86.5	3.4	20	.79								
<b>AP200/22</b>	21.9														
<b>AP200/26</b>	25.9	148	5.82	88.8	3.5										

**Accessories**

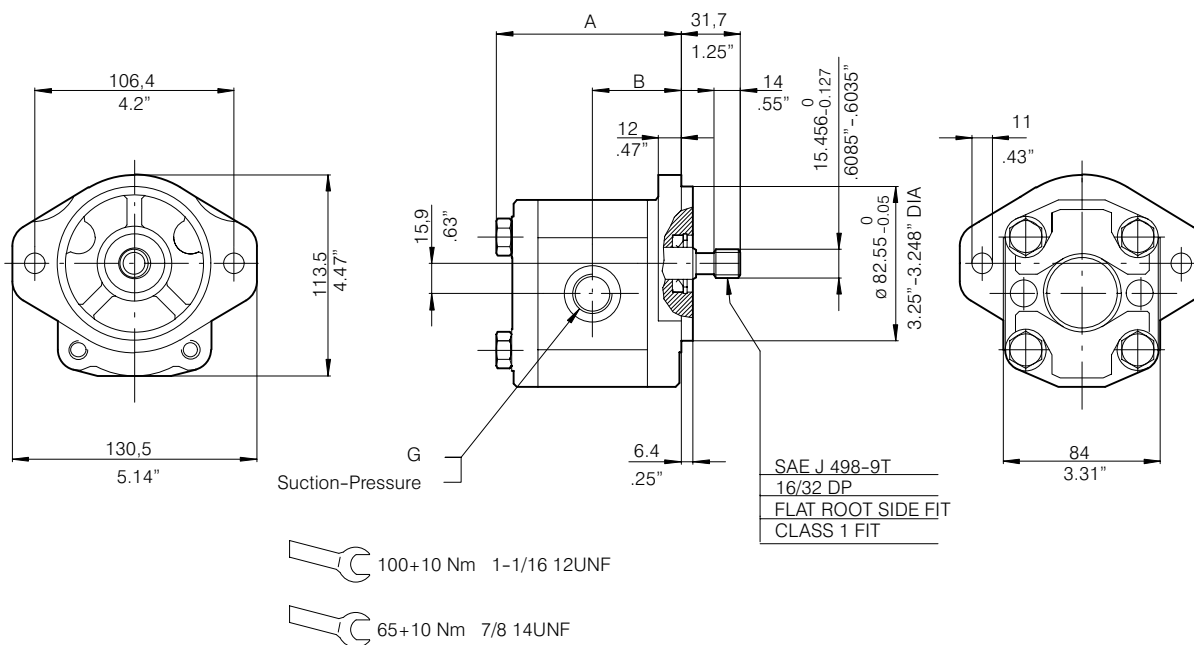
Type	Order Code	Clockwise rotation: D	Type	Order Code	C.clockwise rotation: S	Flange connectors	Splined couplings
AP200/4.5 D			AP200/4.5 S			RF221	
AP200/6.5 D			AP200/6.5 S			RF262	
AP200/8.5 D	<b>200.1023.222.09</b>		AP200/8.5 S			RF216	
AP200/11 D	<b>200.1024.222.03</b>		AP200/11 S	<b>200.1024.223.04</b>		RF252	
AP200/15 D	<b>200.1025.222.04</b>		AP200/15 S	<b>200.1025.223.02</b>		RF217	
AP200/19 D			AP200/19 S	<b>200.1026.223.02</b>		RF220	
AP200/22 D	<b>200.1027.222.04</b>		AP200/22 S				
AP200/26 D			AP200/26 S				

N.B.: With respect to the standards, the maximum pressures of some versions of this pump are reduced in relation to the max. torque allowed to the shaft.



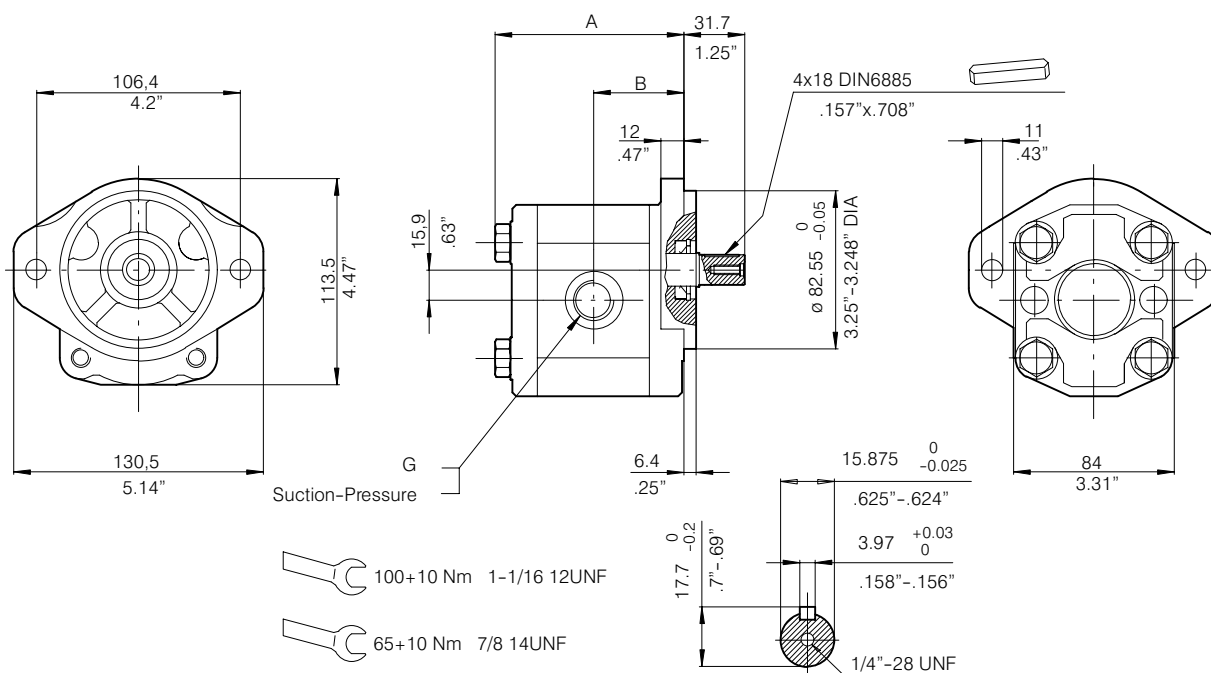
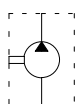
Group **AP200**

Code **887S**



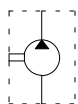
Type	Displacement cm <sup>3</sup> /rev	Dimensions				Suction	Pressure
		A		B		G	G
		mm	inch	mm	inch	12UNF	14UNF
<b>AP200/4.5</b>	4.3	82.5	3.23	39.5	1.55	1-1/16	7/8
<b>AP200/6.5</b>	6.3						
<b>AP200/8.5</b>	8.3						
<b>AP200/11</b>	10.95	98.5	3.9	47.5	1.87		
<b>AP200/15</b>	14.95						
<b>AP200/19</b>	18.9						
<b>AP200/22</b>	21.9	115	4.53	55.5	2.18		
<b>AP200/26</b>	25.9						

Type	Order Code	Clockwise rotation: D	Type	Order Code	C.clockwise rotation: S
AP200/4.5 D	<b>200.1021.862.02</b>		AP200/4.5 S	<b>200.1021.863.02</b>	
AP200/6.5 D	<b>200.1022.862.02</b>				
AP200/8.5 D	<b>200.1023.862.02</b>				
AP200/11 D	<b>200.1024.862.01</b>				
AP200/15 D	<b>200.1025.862.04</b>				
AP200/19 D	<b>200.1026.862.02</b>				
AP200/22 D	<b>200.1027.862.02</b>				
AP200/26 D	<b>200.1028.862.02</b>				
			AP200/4.5 S	<b>200.1022.863.02</b>	
			AP200/6.5 S	<b>200.1023.863.02</b>	
			AP200/8.5 S	<b>200.1024.863.03</b>	
			AP200/11 S	<b>200.1025.863.04</b>	
			AP200/15 S	<b>200.1026.863.02</b>	
			AP200/19 S	<b>200.1027.863.02</b>	
			AP200/22 S	<b>200.1028.863.02</b>	
			AP200/26 S		

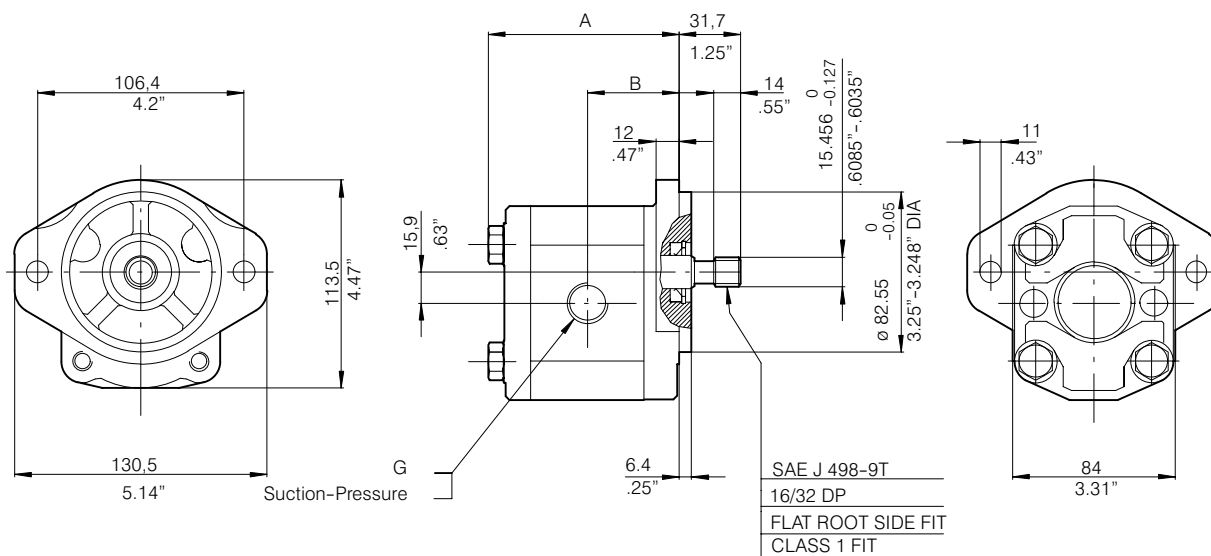


Type	Displacement cm <sup>3</sup> /rev	Dimensions				Suction	Pressure
		A		B		G	G
		mm	inch	mm	inch	12UNF	14UNF
<b>AP200/4.5</b>	4.3	82.5	3.23	39.5	1.55	1-1/16	7/8
<b>AP200/6.5</b>	6.3						
<b>AP200/8.5</b>	8.3						
<b>AP200/11</b>	10.95	98.5	3.9	47.5	1.87		
<b>AP200/15</b>	14.95						
<b>AP200/19</b>	18.9	110.5	4.35	53.5	2.11		
<b>AP200/22</b>	21.9	115	4.53	55.5	2.18		
<b>AP200/26</b>	25.9						

Type	Order Code	Clockwise rotation: D	Type	Order Code	C.clockwise rotation: S
AP200/4.5 D	<b>200.1021.802.02</b>		AP200/4.5 S	<b>200.1021.803.03</b>	
AP200/6.5 D	<b>200.1022.802.02</b>		AP200/6.5 S	<b>200.1022.803.05</b>	
AP200/8.5 D	<b>200.1023.802.02</b>		AP200/8.5 S	<b>200.1023.803.02</b>	
AP200/11 D	<b>200.1024.802.02</b>		AP200/11 S	<b>200.1024.803.02</b>	
AP200/15 D	<b>200.1025.802.02</b>		AP200/15 S	<b>200.1025.803.02</b>	
AP200/19 D	<b>200.1026.802.02</b>		AP200/19 S	<b>200.1026.803.02</b>	
AP200/22 D	<b>200.1027.802.02</b>		AP200/22 S	<b>200.1027.803.02</b>	
AP200/26 D	<b>200.1028.802.02</b>		AP200/26 S	<b>200.1028.803.02</b>	



Group **AP200** Code **887S NPTF**

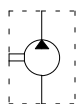


100+10 Nm 3/4" NPTF

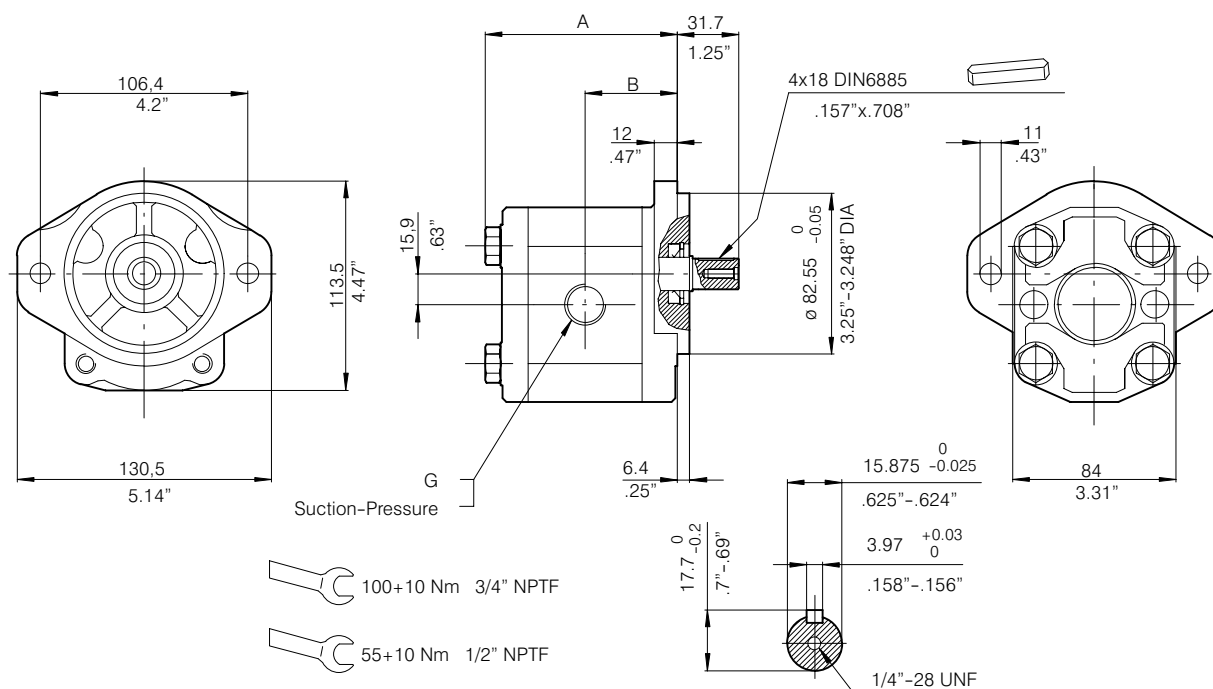
55+10 Nm 1/2" NPTF

Type	Displacement cm <sup>3</sup> /rev	Dimensions				Suction	Pressure
		A		B		G	G
		mm	inch	mm	inch	NPTF	NPTF
<b>AP200/11</b>	10.95	98.5	3.9	47.5	1.87	3/4"	1/2"
<b>AP200/15</b>	14.95						
<b>AP200/19</b>	18.9	110.5	4.35	53.5	2.11		
<b>AP200/22</b>	21.9	115	4.53	55.5	2.18		
<b>AP200/26</b>	25.9						

Type	Order Code	Clockwise rotation: D	Type	Order Code	C.clockwise rotation: S
AP200/11 D			AP200/11 S		
AP200/15 D			AP200/15 S		
AP200/19 D			AP200/19 S		
AP200/22 D			AP200/22 S		
AP200/26 D			AP200/26 S		

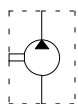


Group **AP200** Code **880 NPTF**

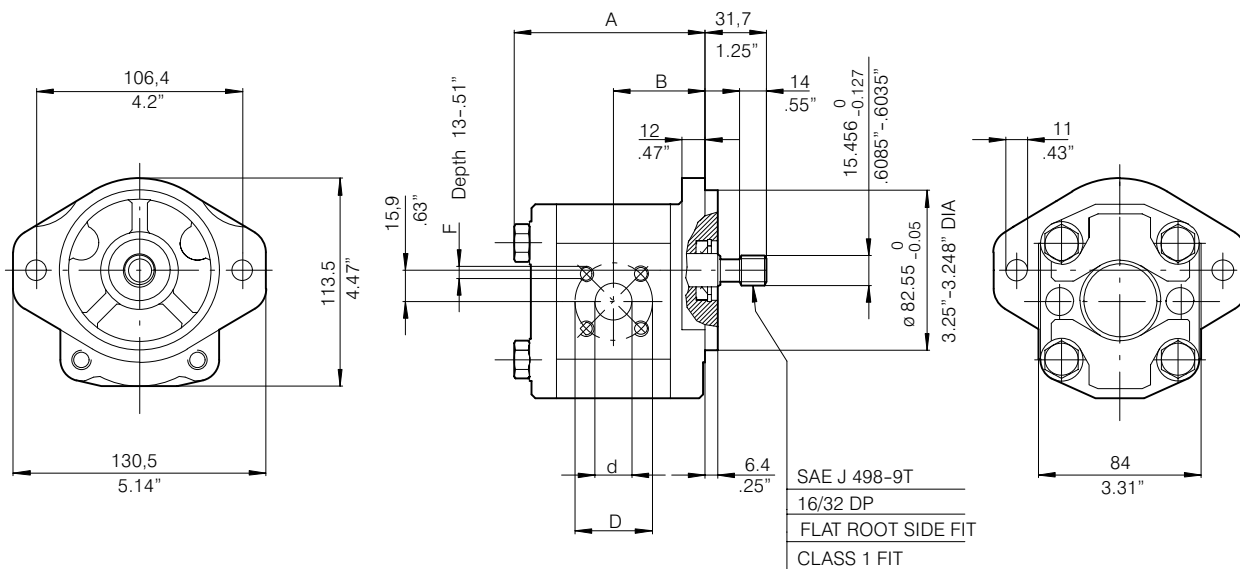


Type	Displacement cm <sup>3</sup> /rev	Dimensions				Suction	Pressure
		A		B		G	G
		mm	inch	mm	inch	NPTF	NPTF
<b>AP200/4.5</b>	4.3	82.5	3.23	39.5	1.55	1/2"	1/2"
<b>AP200/6.5</b>	6.3						
<b>AP200/8.5</b>	8.3						
<b>AP200/11</b>	10.95	98.5	3.9	47.5	1.87	3/4"	1/2"
<b>AP200/15</b>	14.95						
<b>AP200/19</b>	18.9	110.5	4.35	53.5	2.11	3/4"	1/2"
<b>AP200/22</b>	21.9	115	4.53	55.5	2.18		
<b>AP200/26</b>	25.9						

Type	Order Code	Clockwise rotation: D	Type	Order Code	C.clockwise rotation: S
AP200/4.5 D	<b>200.1021.802.07</b>		AP200/4.5 S	<b>200.1021.803.05</b>	
AP200/6.5 D	<b>200.1022.802.06</b>		AP200/6.5 S	<b>200.1022.803.08</b>	
AP200/8.5 D	<b>200.1023.802.07</b>		AP200/8.5 S	<b>200.1023.803.04</b>	
AP200/11 D	<b>200.1024.802.03</b>		AP200/11 S		
AP200/15 D	<b>200.1025.802.03</b>		AP200/15 S		
AP200/19 D	<b>200.1026.802.03</b>		AP200/19 S		
AP200/22 D	<b>200.1027.802.03</b>		AP200/22 S		
AP200/26 D	<b>200.1028.802.03</b>		AP200/26 S		



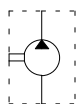
Group **AP200** Code **287S-B**



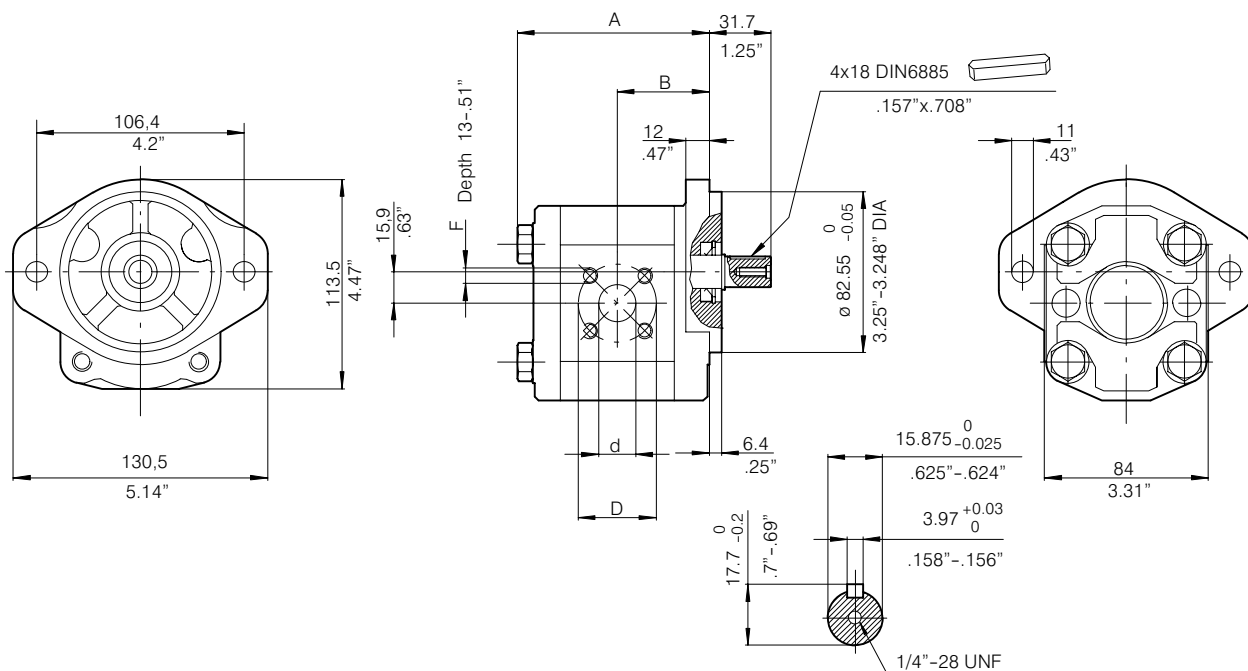
Type	Displacement cm <sup>3</sup> /rev	Dimensions				Suction					Pressure				
		A		B		d		D		F	d		D		F
		mm	inch	mm	inch	mm	inch	mm	inch	mm	mm	inch	mm	inch	mm
<b>AP200/4.5</b>	4.3														
<b>AP200/6.5</b>	6.3	82.5	3.23	39.5	1.55	15	.59								
<b>AP200/8.5</b>	8.3														
<b>AP200/11</b>	10.95	98.5	3.9	47.5	1.87	20	.79	40	1.58	M6X1	13.5	.53	35	1.38	M6X1
<b>AP200/15</b>	14.95														
<b>AP200/19</b>	18.9	110.5	4.35	53.5	2.11										
<b>AP200/22</b>	21.9	115	4.53	55.5	2.18										
<b>AP200/26</b>	25.9														

### Accessories

Type	Order Code	Clockwise rotation: D	Type	Order Code	C.clockwise rotation: S	Flange connectors	Spined couplings
AP200/4.5 D	<b>200.1021.862.01</b>		AP200/4.5 S	<b>200.1021.863.01</b>		RF221	
AP200/6.5 D	<b>200.1022.862.01</b>		AP200/6.5 S	<b>200.1022.863.01</b>		RF262	
AP200/8.5 D	<b>200.1023.862.01</b>		AP200/8.5 S	<b>200.1023.863.01</b>		RF216	
AP200/11 D	<b>200.1024.862.04</b>		AP200/11 S	<b>200.1024.863.04</b>		RF252	
AP200/15 D	<b>200.1025.862.02</b>		AP200/15 S	<b>200.1025.863.03</b>		RF217	
AP200/19 D	<b>200.1026.862.01</b>		AP200/19 S	<b>200.1026.863.01</b>		RF220	
AP200/22 D	<b>200.1027.862.01</b>		AP200/22 S	<b>200.1027.863.01</b>			
AP200/26 D	<b>200.1028.862.01</b>		AP200/26 S	<b>200.1028.863.01</b>			



Group **AP200** Code **280B**



Type	Displacement cm <sup>3</sup> /rev	Dimensions				Suction					Pressure				
		A		B		d		D		F	d		D		F
		mm	inch	mm	inch	mm	inch	mm	inch	mm	mm	inch	mm	inch	mm
<b>AP200/4.5</b>	4.3														
<b>AP200/6.5</b>	6.3	82.5	3.23	39.5	1.55	15	.59								
<b>AP200/8.5</b>	8.3														
<b>AP200/11</b>	10.95							40	1.58	M6X1	13.5	.53	35	1.38	M6X1
<b>AP200/15</b>	14.95	98.5	3.9	47.5	1.87										
<b>AP200/19</b>	18.9	110.5	4.35	53.5	2.11	20	.79								
<b>AP200/22</b>	21.9														
<b>AP200/26</b>	25.9	115	4.53	55.5	2.18										

**Accessories**

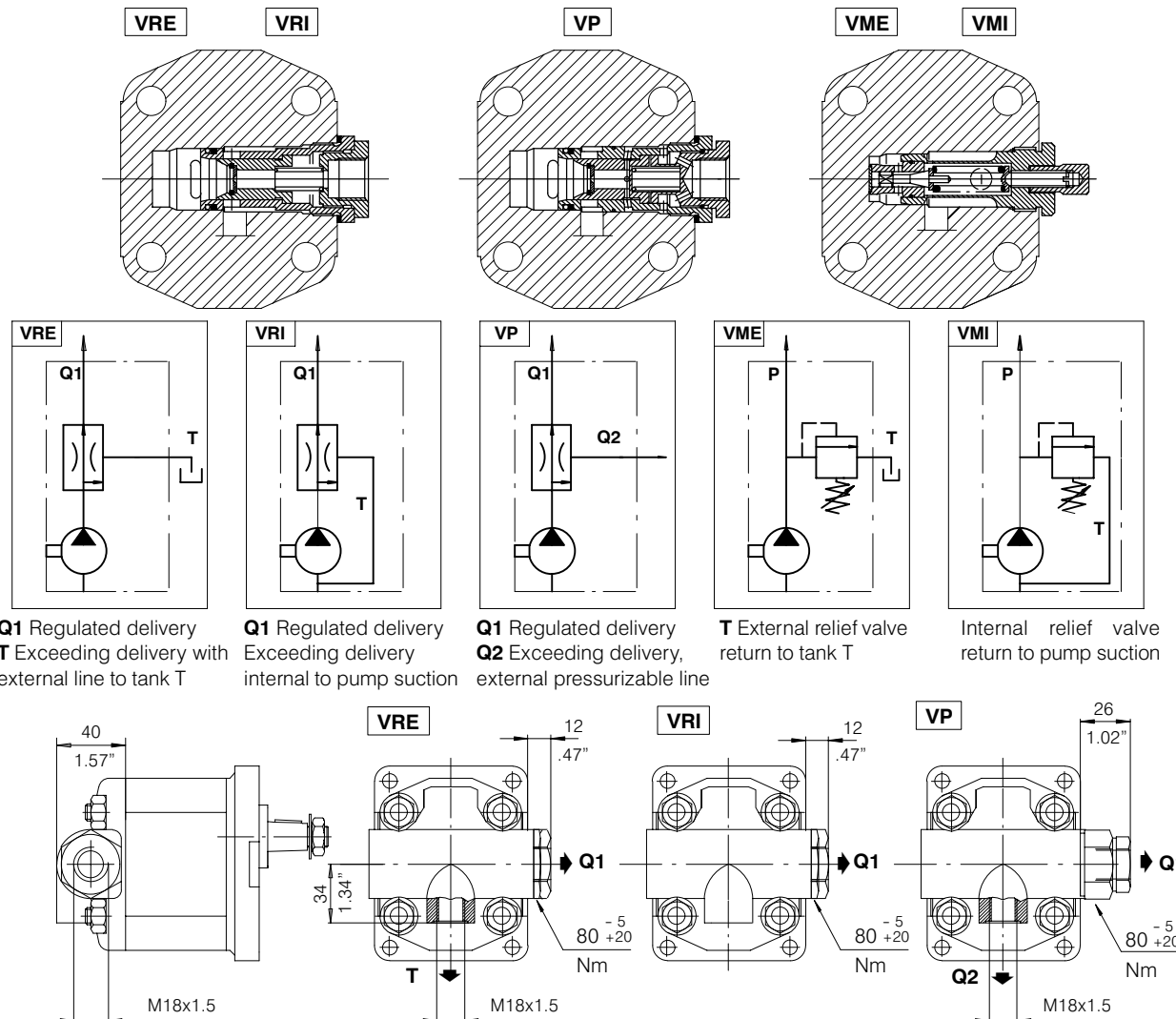
Type	Order Code	Clockwise rotation: D	Type	Order Code	C.clockwise rotation: S	Flange connectors	Splined couplings
AP200/4.5 D	<b>200.1021.802.01</b>		AP200/4.5 S	<b>200.1021.803.02</b>		RF221	
AP200/6.5 D	<b>200.1022.802.01</b>		AP200/6.5 S	<b>200.1022.803.01</b>		RF262	
AP200/8.5 D	<b>200.1023.802.01</b>		AP200/8.5 S	<b>200.1023.803.01</b>		RF216	
AP200/11 D	<b>200.1024.802.10</b>		AP200/11 S	<b>200.1024.803.01</b>		RF252	
AP200/15 D	<b>200.1025.802.01</b>		AP200/15 S	<b>200.1025.803.01</b>		RF217	
AP200/19 D	<b>200.1026.802.01</b>		AP200/19 S	<b>200.1026.803.01</b>		RF220	
AP200/22 D	<b>200.1027.802.01</b>		AP200/22 S	<b>200.1027.803.01</b>			
AP200/26 D	<b>200.1028.802.01</b>		AP200/26 S	<b>200.1028.803.01</b>			



**AP200 with built-in valves**

AP200 pumps (except pump code 259) can be provided by a rear cover with a built in flow control valve **VR**, priority valve **VP** or pressure relief valve **VM**.

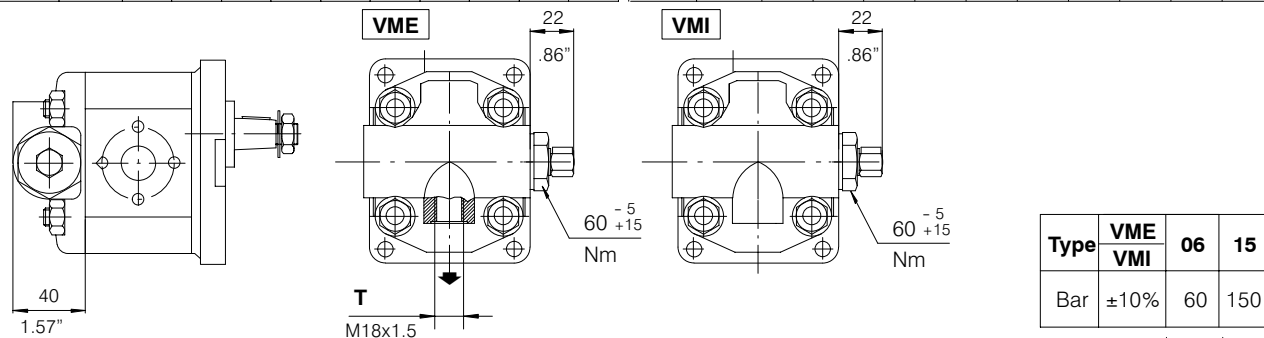
For the exemple composition product code see page 99/104.



**Q1** Regulated delivery  
**T** Exceeding delivery with external line to tank T  
**Q1** Regulated delivery  
**T** Exceeding delivery internal to pump suction  
**Q1** Regulated delivery  
**Q2** Exceeding delivery, external pressurizable line  
**T** External relief valve return to tank T  
Internal relief valve return to pump suction

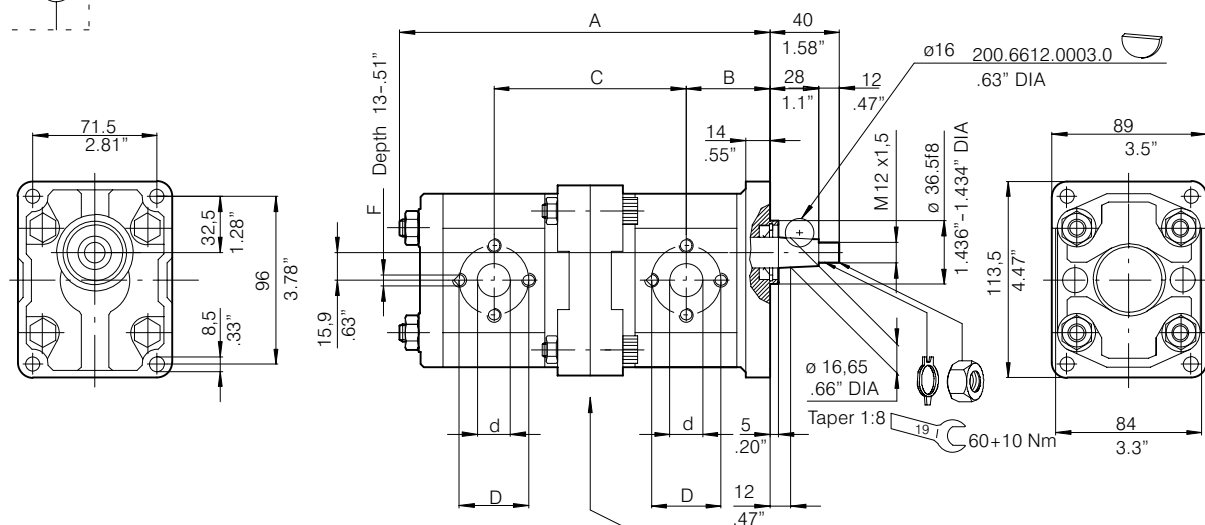
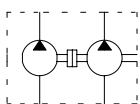
**Standard setting values for VR, VP, VM**

Type	VRE VRI	02	03	05	06	08	09	12	16	19	23	Type	VP	02	03	05	06	08	10	13	16	20	24
l/min	+15% -10%	2	3.5	5	6	7.5	9	12	16	19	23	l/min	+15% -10%	2.5	3.5	5	6	8.5	10.5	13	16	20	24

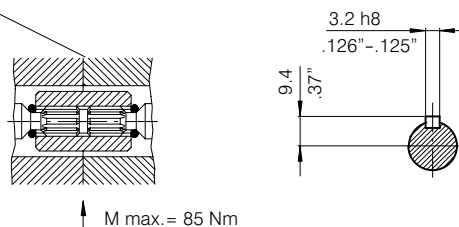


All the above drawings refer to clockwise rotation pumps.  
For the remainig dimensions look at the correspondent pump code.

(spring **YE** with adjustment range from 30+ 80 bar)  
(spring **GR** with adjustment range from 70+ 210 bar)



Displacement	Suction			Pressure		
	d	D	F	d	D	F
cm <sup>3</sup> /rev	mm	inch.	mm	inch.	mm	inch.
4.5						
6.5	13.5	.53	30	1.2	6x1	
8.5						
11						
15						
19	19	.75	40	1.57	8x1.25	
22						
26						



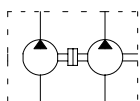
Displacement	A		B		C	
	mm	inch	mm	inch	mm	inch
cm <sup>3</sup> /rev						
4.5+4.5						
6.5+4.5						
6.5+6.5	175.5	7	40.5	1.6	90.5	3.56
8.5+4.5						
8.5+6.5						
8.5+8.5						
11+4.5						
11+6.5	191.5	7.5	48.5	2	98.5	3.88
11+8.5						
11+11	211.5	8.3			106.5	4.2
15+4.5	191.5	7.5	48.5	2	98.5	3.88
15+6.5						
15+8.5	191.5	7.5	48.5	2	98.5	3.88
15+11						
15+15	211.5	8.3			106.5	4.2
19+4.5						
19+6.5	203.5	8	54.5	2.1	104.5	4
19+8.5						
19+11	223.5	8.8	54.5	2.1	112.5	4.43
19+15						
19+19	233.5	9.2			118.5	4.7
22+4.5						
22+6.5	208	8.2	56.5	2.3	107	4.2
22+8.5						

Displacement	A		B		C	
	mm	inch	mm	inch	mm	inch
cm <sup>3</sup> /rev						
22+11	228	9	56.5	2.3	115	4.5
22+15					121	4.7
22+19					123	4.8
22+22	238	9.4				
26+4.5	208	8.2	56.5	2.3	107	4.2
26+6.5						
26+8.5						
26+11	228	9	56.5	2.3	115	4.5
26+15						
26+19	238	9.4			121	4.7
26+22	243	9.5	56.5	2.3	123	4.8
26+26						

**Accessories**

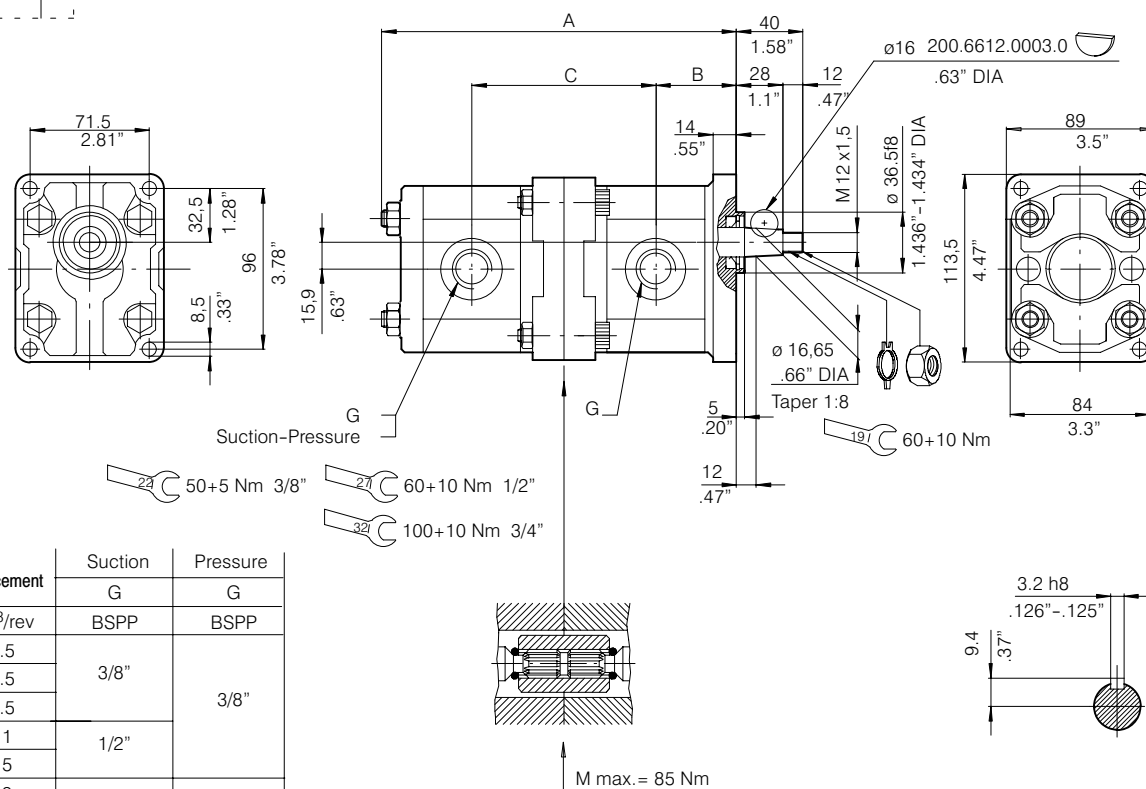
Flange connectors		Spined couplings	
RF201	RF223	GSH-2-14	
RF202	RF224	GSH-2-15	
RF207	RF225	GSH-2-18	
RF210	RF238		
RF212	RF246		
RF213	RF251		

See page 99/104 for an example of the ordering code.



Group **AP200**

Code **8818**



Displacement	Suction	Pressure
	G	G
cm <sup>3</sup> /rev	BSPP	BSPP
4.5	3/8"	3/8"
6.5		
8.5		
11	1/2"	3/8"
15		
19	3/4"	1/2"
22		
26		

- 50+5 Nm 3/8"
- 60+10 Nm 1/2"
- 100+10 Nm 3/4"

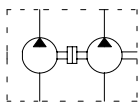
Displacement	A		B		C	
	mm	inch	mm	inch	mm	inch
4.5+4.5	175.5	7	40.5	1.6	90.5	3.56
6.5+4.5						
6.5+6.5						
8.5+4.5						
8.5+6.5						
8.5+8.5						
11+4.5	191.5	7.5	48.5	2	98.5	3.88
11+6.5						
11+8.5						
11+11						
15+4.5	191.5	7.5	48.5	2	98.5	3.88
15+6.5						
15+8.5	191.5	7.5	48.5	2	98.5	3.88
15+11						
15+15						
19+4.5	203.5	8	54.5	2.1	104.5	4
19+6.5						
19+8.5						
19+11						
19+15	223.5	8.8	54.5	2.1	112.5	4.43
19+19						
19+19	233.5	9.2	54.5	2.1	118.5	4.7
22+4.5	208	8.2	56.5	2.3	107	4.2
22+6.5						
22+8.5						

Displacement	A		B		C	
	mm	inch	mm	inch	mm	inch
22+11	228	9	56.5	2.3	115	4.5
22+15						
22+19						
22+22						
26+4.5	208	8.2	56.5	2.3	107	4.2
26+6.5						
26+8.5						
26+11	228	9	56.5	2.3	115	4.5
26+15						
26+19						
26+22						
26+26	243	9.5	56.5	2.3	123	4.8

**Accessories**

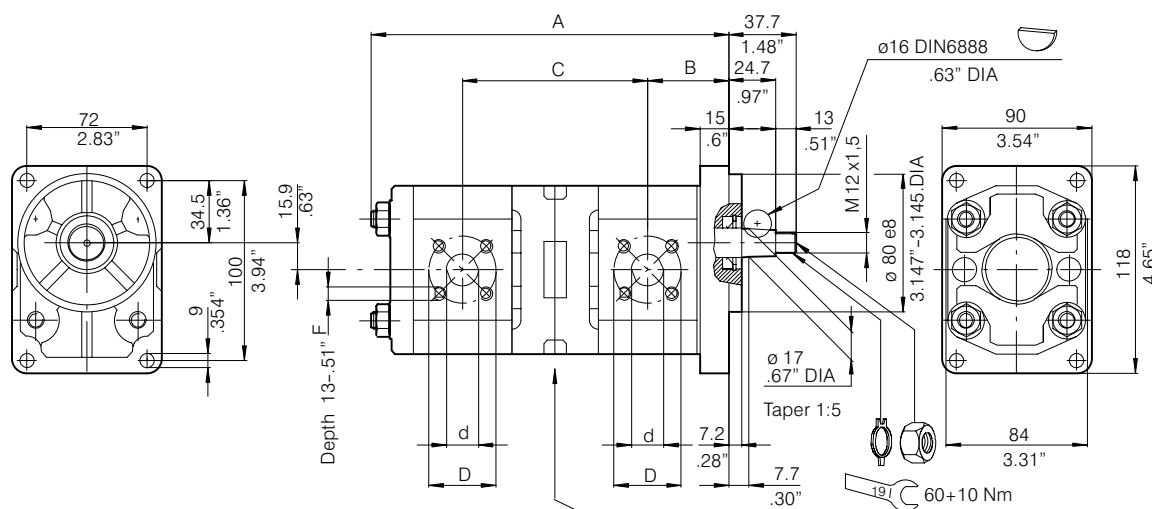
Flange connectors	Splined couplings
GSH-2-14	
GSH-2-15	
GSH-2-18	

See page 99/104 for an example of the ordering code.

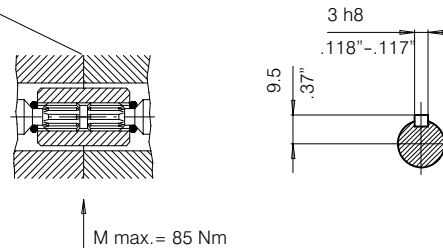


Group **AP200**

Code **2225**



Displacement	Suction					Pressure				
	d		D		F	d		D		F
cm <sup>3</sup> /rev	mm	inch.	mm	inch.	mm	mm	inch.	mm	inch.	mm
4.5	15	.6	40	1.57	6x1	15	.6	35	1.38	6x1
6.5										
8.5										
11	20	.78	40	1.57	6x1	15	.6	35	1.38	6x1
15										
19										
22										



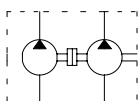
Displacement	A		B		C	
	mm	inch	mm	inch	mm	inch
4.5+4.5	176.5	7	41.5	1.6	90.5	3.56
6.5+4.5						
6.5+6.5						
8.5+4.5						
8.5+6.5						
8.5+8.5						
11+4.5	192.5	7.6	49.5	2	98.5	3.88
11+6.5						
11+8.5						
11+11						
15+4.5	192.5	7.6	49.5	2	98.5	3.88
15+6.5						
15+8.5						
15+11						
15+15	212.5	8.4	49.5	2	106.5	4.2
19+4.5						
19+6.5						
19+8.5						
19+11	224.5	8.8	55.5	2.2	112.5	4.43
19+15						
19+19						
22+4.5						
22+6.5	209	8.2	57.5	2.3	107	4.2
22+8.5						

Displacement	A		B		C	
	mm	inch	mm	inch	mm	inch
22+11	229	9	57.5	2.3	115	4.5
22+15	229	9	57.5	2.3	115	4.5
22+19	239	9.4			121	4.7
22+22	244	9.6			123	4.8

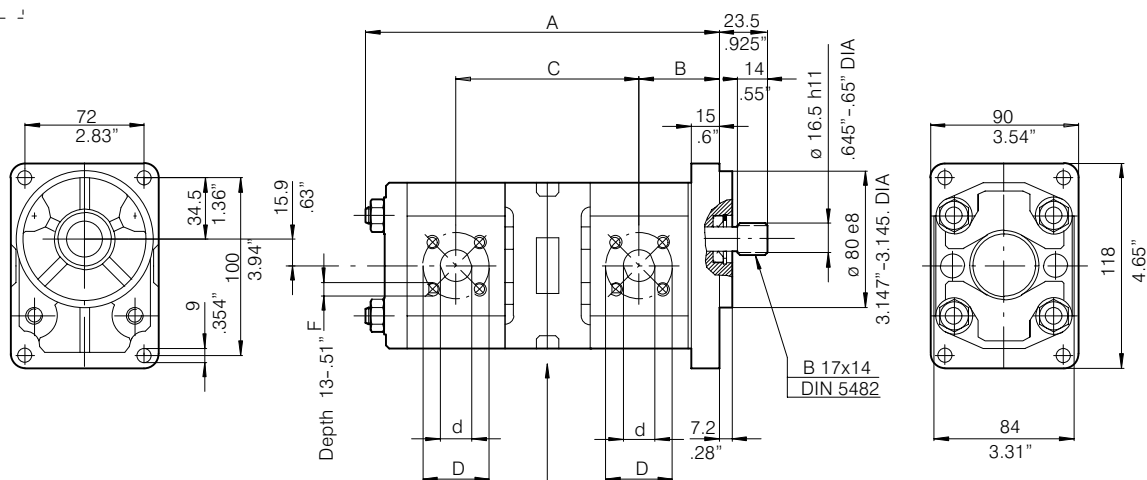
**Accessories**

Flange connectors	Splined couplings
RF221	GSH-2B-14
RF262	GSH-2B-15
RF216	GSH-2B-18
RF252	
RF217	
RF220	

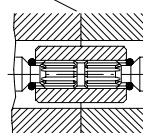
See page 99/104 for an example of the ordering code.



Group **AP200** Code **2227**



Displacement	Suction			Pressure						
	d	D	F	d	D	F				
cm <sup>3</sup> /rev	mm	inch.	mm	inch.	mm	inch.				
4.5	15	.6	40	1.57	6x1	15	.6	35	1.38	6x1
6.5										
8.5										
11	20	.78	40	1.57	6x1	15	.6	35	1.38	6x1
15										
19										
22										



M max. = 85 Nm

Displacement	A		B		C			
	mm	inch	mm	inch	mm	inch		
4.5+4.5	176.5	7	41.5	1.6	90.5	3.56		
6.5+4.5								
6.5+6.5								
8.5+4.5								
8.5+6.5								
8.5+8.5								
11+4.5	192.5	7.6	49.5	2	98.5	3.88		
11+6.5								
11+8.5								
11+11	212.5	8.4	49.5	2	106.5	4.2		
15+4.5	192.5	7.6			98.5	3.88		
15+6.5								
15+8.5	192.5	7.6	49.5	2	98.5	3.88		
15+11	212.5	8.4					106.5	4.2
15+15								
19+4.5	204.5	8	55.5	2.2	104.5	4		
19+6.5								
19+8.5								
19+11	224.5	8.8	55.5	2.2	112.5	4.43		
19+15								
19+19	234.5	9.2	57.5	2.3	107	4.2		
22+4.5	209	8.2					107	4.2
22+6.5								
22+8.5								

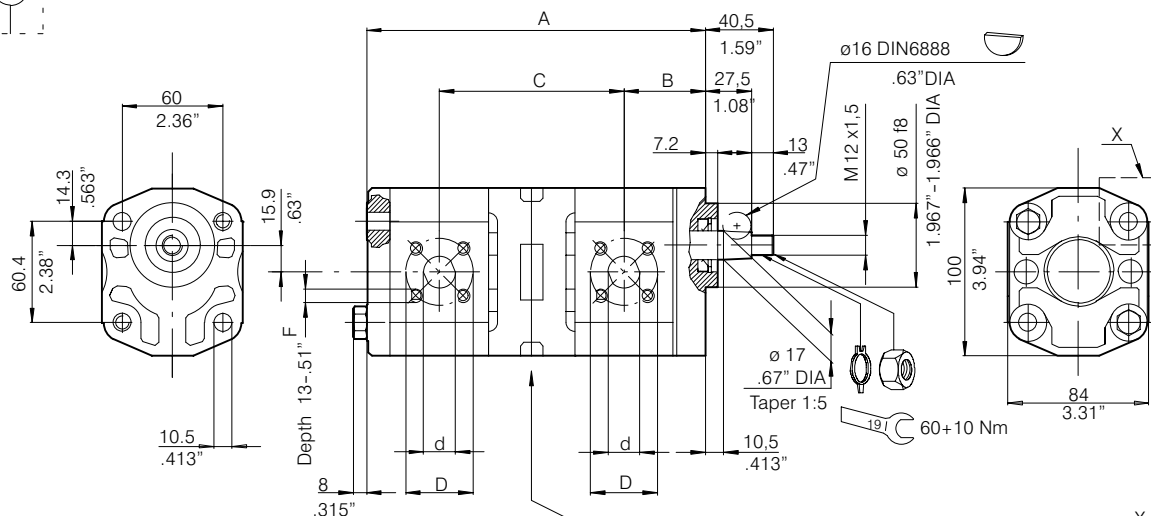
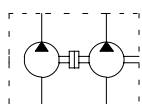
Displacement	A		B		C	
	mm	inch	mm	inch	mm	inch
22+11	229	9	57.5	2.3	115	4.5
22+15						
22+19						
22+22						

**Accessories**

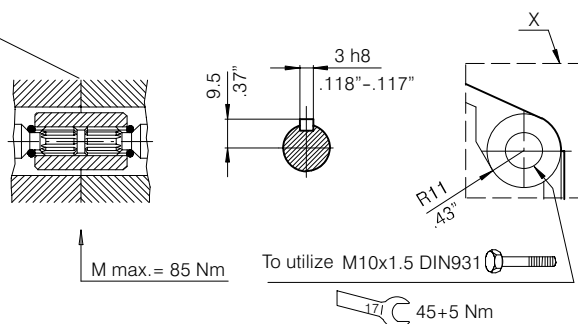
Flange connectors	Splined couplings
RF221	
RF262	
RF216	
RF252	
RF217	
RF220	

Group **AP200**

Code **2235**



Displacement	Suction			Pressure				
	d	D	F	d	D	F		
cm <sup>3</sup> /rev	mm	inch.	mm	inch.	mm	inch.		
4.5	15	.59	6x1	15	.59	6x1		
6.5								
8.5								
11	20	.79	40 1.58	6x1	15	.59	35 1.38	6x1
15								
19								
22								



Displacement	A		B		C	
	mm	inch	mm	inch	mm	inch
4.5+4.5	164.5	6.5	38.5	1.5	90.5	3.56
6.5+4.5						
6.5+6.5						
8.5+4.5						
8.5+6.5						
8.5+8.5						
11+4.5	180.5	7	46.5	1.8	98.5	3.88
11+6.5						
11+8.5						
11+11						
15+4.5	180.5	7	46.5	1.8	98.5	3.88
15+6.5						
15+8.5						
15+11	180.5	7	46.5	1.8	98.5	3.88
15+15						
19+4.5	192.5	7.5	52.5	2	104.5	4
19+6.5						
19+8.5						
19+11						
19+15						
19+19	208.5	8.2	52.5	2	112.5	4.43
19+19	220.5	8.7			118.5	4.7
22+4.5	197	7.7	55	2.2	107	4.2
22+6.5						
22+8.5						

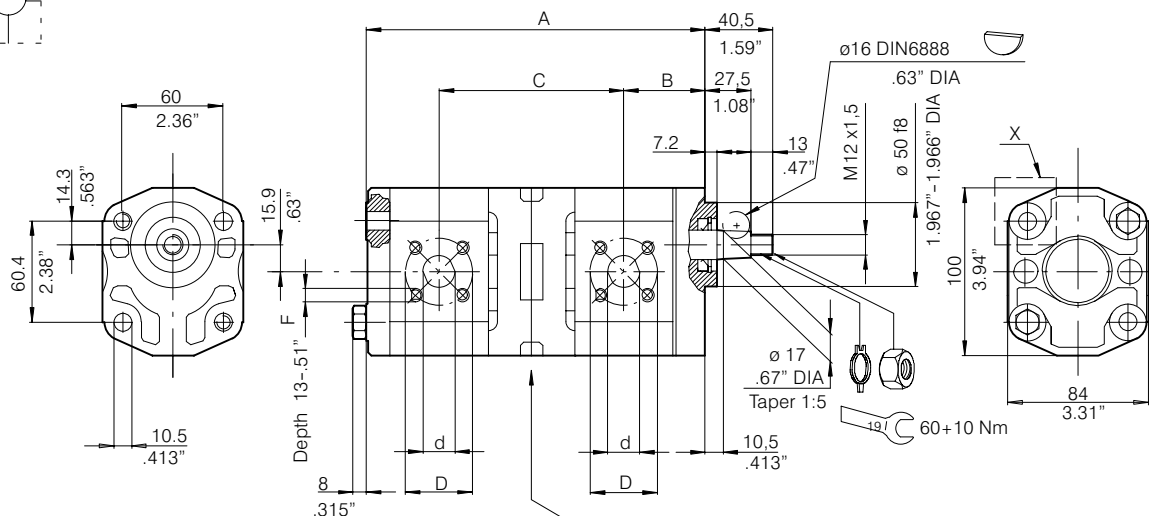
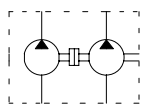
Displacement	A		B		C	
	mm	inch	mm	inch	mm	inch
22+11	213	8.4	55	2.2	115	4.5
22+15					121	4.7
22+19					123	4.8
22+22					123	4.8

**Accessories**

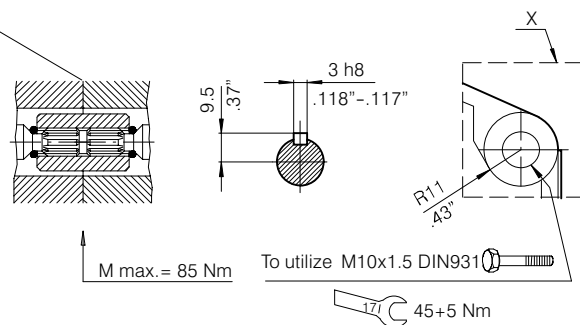
Flange connectors	Splined couplings
RF221	GSH-2B-14
RF262	GSH-2B-15
RF216	GSH-2B-18
RF252	
RF217	
RF220	

Group **AP200**

Code **2245**



Displacement	Suction			Pressure						
	d	D	F	d	D	F				
cm <sup>3</sup> /rev	mm	inch.	mm	inch.	mm	inch.				
4.5	15	.59	40	1.58	6x1	15	.59	35	1.38	6x1
6.5										
8.5										
11	20	.79	40	1.58	6x1	15	.59	35	1.38	6x1
15										
19										
22										

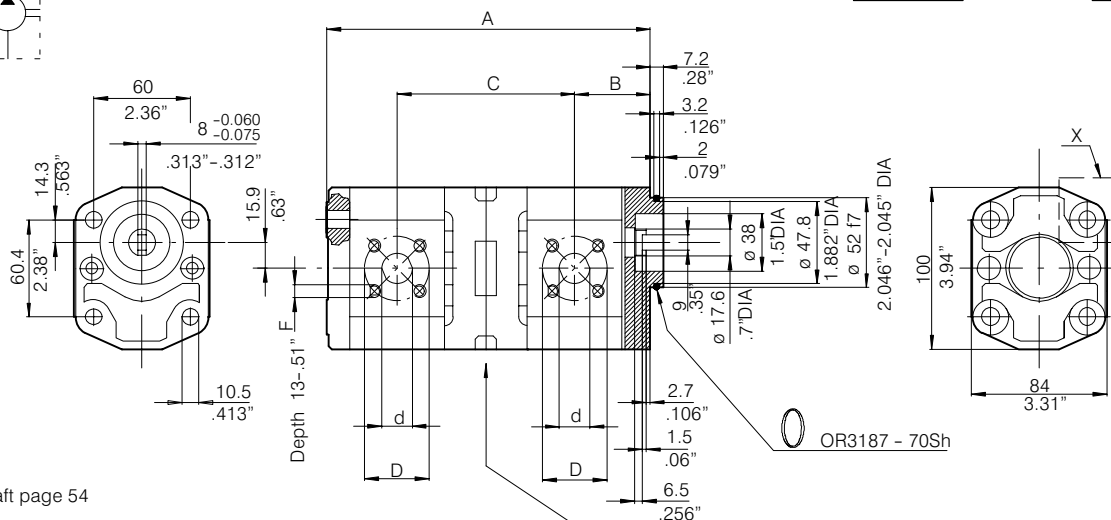
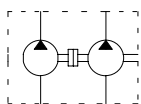


Displacement	A		B		C	
	mm	inch	mm	inch	mm	inch
4.5+4.5	164.5	6.5	38.5	1.5	90.5	3.56
6.5+4.5						
6.5+6.5						
8.5+4.5						
8.5+6.5						
8.5+8.5						
11+4.5	180.5	7	46.5	1.8	98.5	3.88
11+6.5						
11+8.5						
11+11	196.5	7.7	46.5	1.8	106.5	4.2
15+4.5	180.5	7			98.5	3.88
15+6.5						
15+8.5	180.5	7	46.5	1.8	98.5	3.88
15+11	196.5	7.7				
15+15						
19+4.5	192.5	7.5	52.5	2	104.5	4
19+6.5						
19+8.5						
19+11	208.5	8.2	52.5	2	112.5	4.43
19+15						
19+19						
22+4.5	197	7.7	55	2.2	107	4.2
22+6.5						
22+8.5						

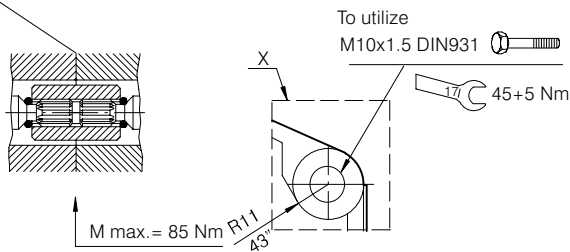
Displacement	A		B		C	
	mm	inch	mm	inch	mm	inch
22+11	213	8.4	55	2.2	115	4.5
22+15						
22+19						
22+22						

**Accessories**

Flange connectors	Splined couplings
RF221	GSH-2B-14
RF262	GSH-2B-15
RF216	GSH-2B-18
RF252	
RF217	
RF220	



Motor-shaft page 54



Displacement	Suction			Pressure						
	d		D		F	d		D		F
cm <sup>3</sup> /rev	mm	inch.	mm	inch.	mm	mm	inch.	mm	inch.	mm
4.5	15	.59	40	1.58	M6x1	15	.59	35	1.38	M6x1
6.5						15	.59	35	1.38	M6x1
8.5						15	.59	35	1.38	M6x1
11	20	.79	40	1.58	M6x1	15	.59	35	1.38	M6x1
15						15	.59	35	1.38	M6x1
19						15	.59	35	1.38	M6x1

Displacement	A		B		C			
	mm	inch	mm	inch	mm	inch		
4.5+4.5	164.5	6.5	38.5	1.5	90.5	3.56		
6.5+4.5					90.5	3.56		
6.5+6.5					90.5	3.56		
8.5+4.5					90.5	3.56		
8.5+6.5					90.5	3.56		
8.5+8.5					90.5	3.56		
11+4.5	180.5	7	46.5	1.8	98.5	3.88		
11+6.5					98.5	3.88		
11+8.5					98.5	3.88		
11+11					106.5	4.2		
15+4.5					98.5	3.88		
15+6.5					98.5	3.88		
15+8.5	180.5	7	46.5	1.8	98.5	3.88		
15+11	180.5	7			98.5	3.88		
15+15	196.5	7.7			106.5	4.2		
19+4.5	192.5	7.5			52.5	2	104.5	4
19+6.5	192.5	7.5					104.5	4
19+8.5	192.5	7.5					104.5	4
19+11	208.5	8.2	112.5	4.43				
19+15	208.5	8.2	112.5	4.43				
19+19	220.5	8.7	118.5	4.7				

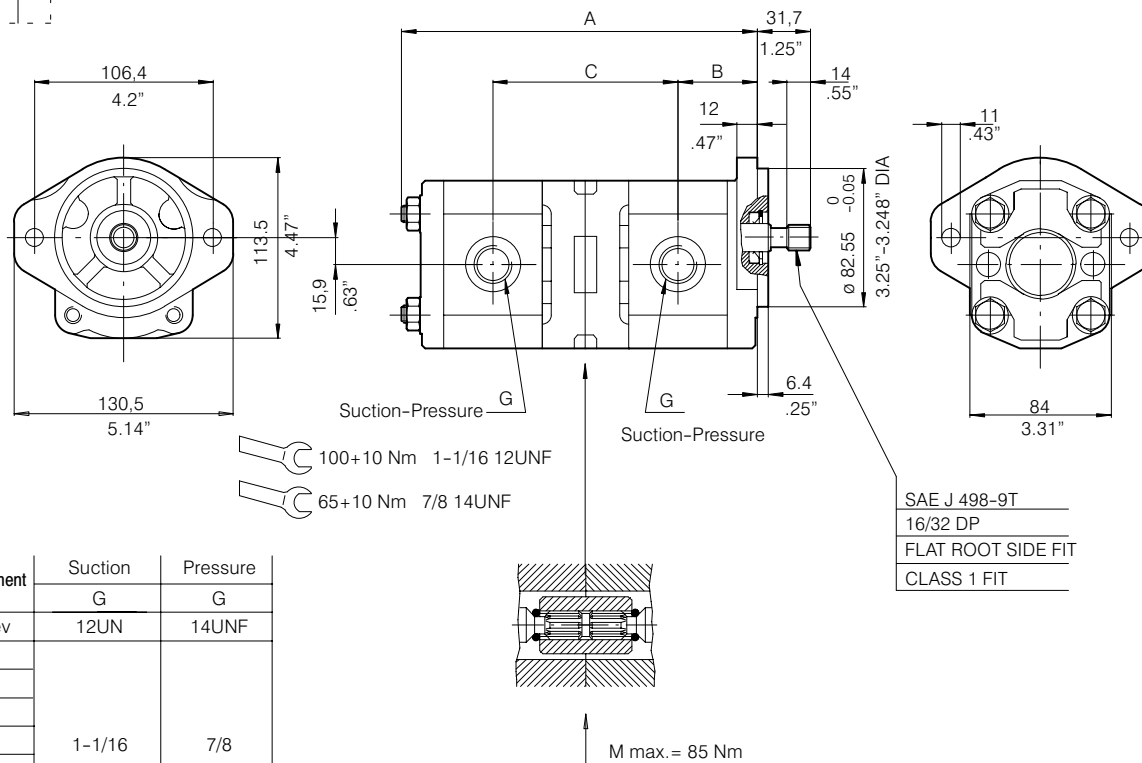
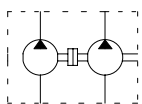
**Accessories**

Flange connectors	Splined couplings
RF221	
RF262	
RF216	
RF252	
RF217	
RF220	



Group **AP200**

Code **8887S**

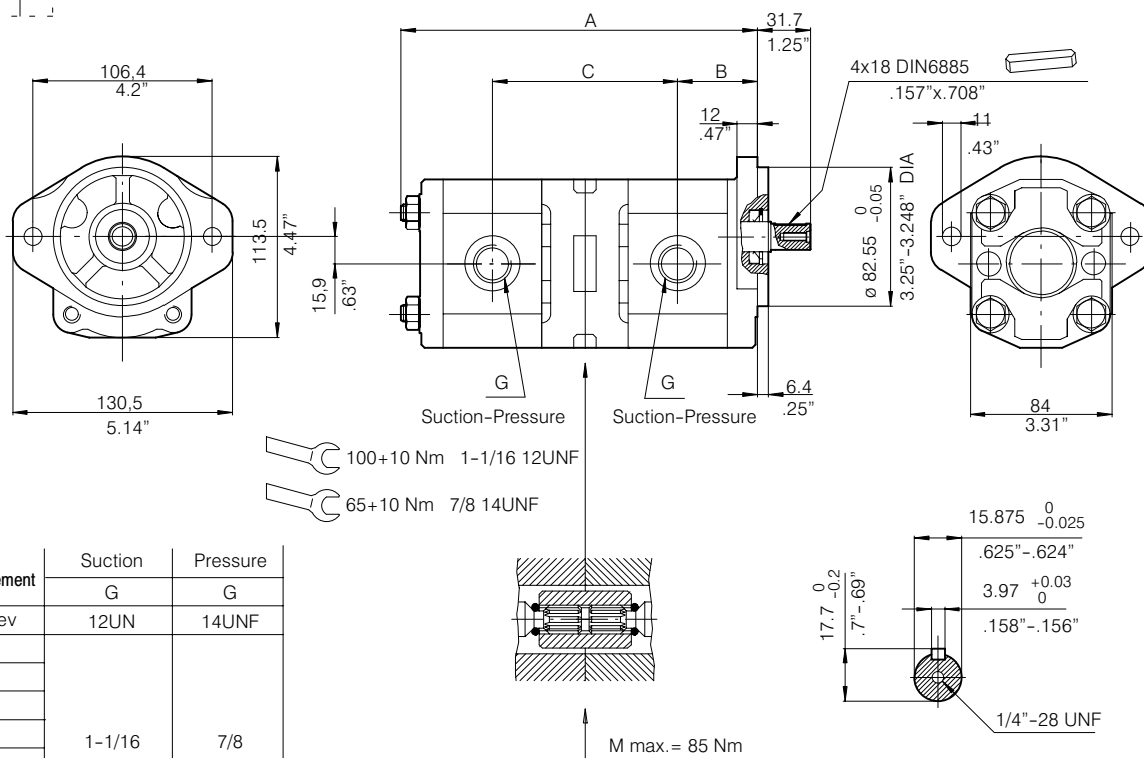
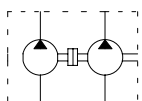


Displacement	Suction	Pressure
	G	G
cm <sup>3</sup> /rev	12UN	14UNF
4.5	1-1/16	7/8
6.5		
8.5		
11		
15		
19		
22		
26		

Displacement	A		B		C							
	mm	inch	mm	inch	mm	inch						
4.5+4.5	174.5	6.8	39.5	1.5	90.5	3.56						
6.5+4.5												
6.5+6.5												
8.5+4.5												
8.5+6.5												
8.5+8.5												
11+4.5	190.5	7.5	47.5	1.9	98.5	3.88						
11+6.5												
11+8.5												
11+11												
15+4.5												
15+6.5												
15+8.5	190.5	7.5	47.5	1.9	98.5	3.88						
15+11												
15+15												
19+4.5							202.5	7.9	53.5	2.1	104.5	4
19+6.5												
19+8.5												
19+11												
19+15												
19+19												
22+4.5	207	8.1	55.5	2.2	107	4.2						
22+6.5												
22+8.5												

Displacement	A		B		C	
	mm	inch	mm	inch	mm	inch
22+11	227	8.9	55.5	2.2	115	4.5
22+15					121	4.7
22+19					123	4.8
22+22					107	4.2
26+4.5	227	8.9	55.5	2.2	115	4.5
26+6.5					121	4.7
26+8.5					123	4.8
26+11					107	4.2
26+15					115	4.5
26+19					121	4.7
26+22	242	9.5	55.5	2.2	123	4.8
26+26					107	4.2

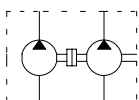
Group **AP200** Code **8880**



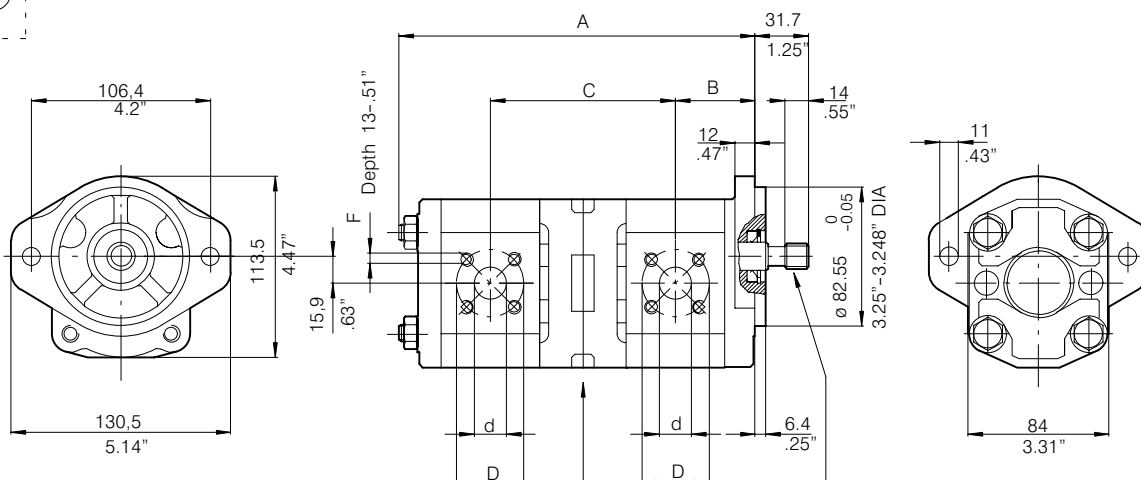
Displacement	Suction	Pressure
	G	G
cm <sup>3</sup> /rev	12UN	14UNF
4.5	1-1/16	7/8
6.5		
8.5		
11		
15		
19		
22		
26		

Displacement	A		B		C							
	mm	inch	mm	inch	mm	inch						
4.5+4.5	174.5	6.8	39.5	1.5	90.5	3.56						
6.5+4.5												
6.5+6.5												
8.5+4.5												
8.5+6.5												
8.5+8.5												
11+4.5	190.5	7.5	47.5	1.9	98.5	3.88						
11+6.5												
11+8.5												
11+11												
15+4.5												
15+6.5												
15+8.5	190.5	7.5	47.5	1.9	98.5	3.88						
15+11												
15+15												
19+4.5							202.5	7.9	53.5	2.1	104.5	4
19+6.5												
19+8.5												
19+11												
19+15												
19+19												
22+4.5	207	8.1	55.5	2.2	107	4.2						
22+6.5												
22+8.5												

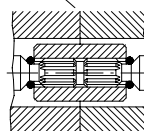
Displacement	A		B		C	
	mm	inch	mm	inch	mm	inch
22+11	227	8.9	55.5	2.2	115	4.5
22+15					121	4.7
22+19					123	4.8
22+22					107	4.2
26+4.5					115	4.5
26+6.5					121	4.7
26+8.5	242	9.5	55.5	2.2	123	4.8
26+11					107	4.2
26+15					115	4.5
26+19					121	4.7
26+22	207	8.1	55.5	2.2	107	4.2
26+26					123	4.8



Group **AP200** Code **2287S-B**



SAE J 498-9T  
16/32 DP  
FLAT ROOT SIDE FIT  
CLASS 1 FIT



M max. = 85 Nm

Displacement	Suction			Pressure						
	d	D	F	d	D	F				
cm <sup>3</sup> /rev	mm	inch.	mm	inch.	mm	inch.	mm			
4.5	15	.6	40	1.57	6x1	15	.6	35	1.38	6x1
6.5										
8.5										
11	20	.78	40	1.57	6x1	15	.6	35	1.38	6x1
15										
19										
22										
26										

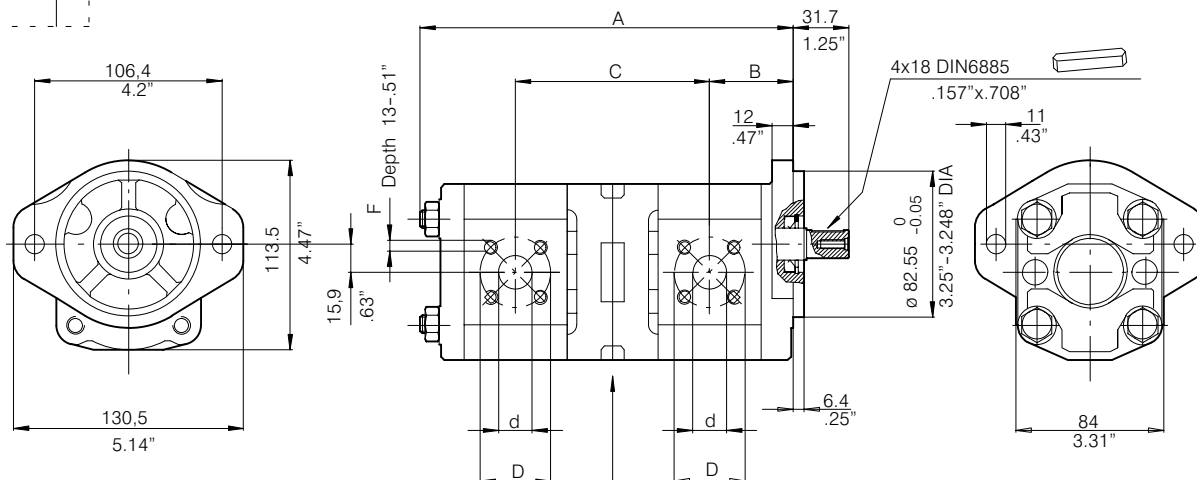
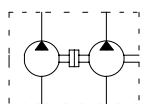
Displacement	A		B		C	
	mm	inch	mm	inch	mm	inch
4.5+4.5	174.5	6.8	39.5	1.5	90.5	3.56
6.5+4.5						
6.5+6.5						
8.5+4.5						
8.5+6.5						
8.5+8.5						
11+4.5	190.5	7.5	47.5	1.9	98.5	3.88
11+6.5						
11+8.5						
11+11						
15+4.5	210.5	8.3	47.5	1.9	106.5	4.2
15+6.5						
15+8.5	190.5	7.5	47.5	1.9	98.5	3.88
15+11						
15+15	210.5	8.3	47.5	1.9	106.5	4.2
19+4.5						
19+6.5	202.5	7.9	53.5	2.1	104.5	4
19+8.5						
19+11						
19+15	222.5	8.7	53.5	2.1	112.5	4.43
19+19						
19+19	232.5	9	53.5	2.1	118.5	4.7
22+4.5						
22+6.5	207	8.1	55.5	2.2	107	4.2
22+8.5						

Displacement	A		B		C	
	mm	inch	mm	inch	mm	inch
22+11	227	8.9	55.5	2.2	115	4.5
22+15						
22+19						
22+22						
26+4.5	207	8.1	55.5	2.2	107	4.2
26+6.5						
26+8.5						
26+11	227	8.9	55.5	2.2	115	4.5
26+15						
26+19						
26+22						
26+26	242	9.5	55.5	2.2	123	4.8
26+26						

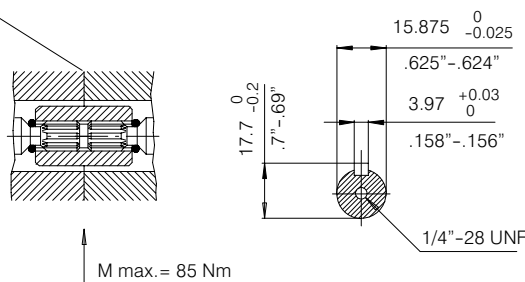
**Accessories**

Flange connectors	Splined couplings
RF221	
RF262	
RF216	
RF252	
RF217	
RF220	

Group **AP200** Code **2280-B**



Displacement	Suction			Pressure						
	d	D	F	d	D	F				
cm <sup>3</sup> /rev	mm	inch.	mm	inch.	mm	inch.				
4.5	15	.6	40	1.57	6x1	15	.6	35	1.38	6x1
6.5										
8.5										
11	20	.78	40	1.57	6x1	15	.6	35	1.38	6x1
15										
19										
22										
26										



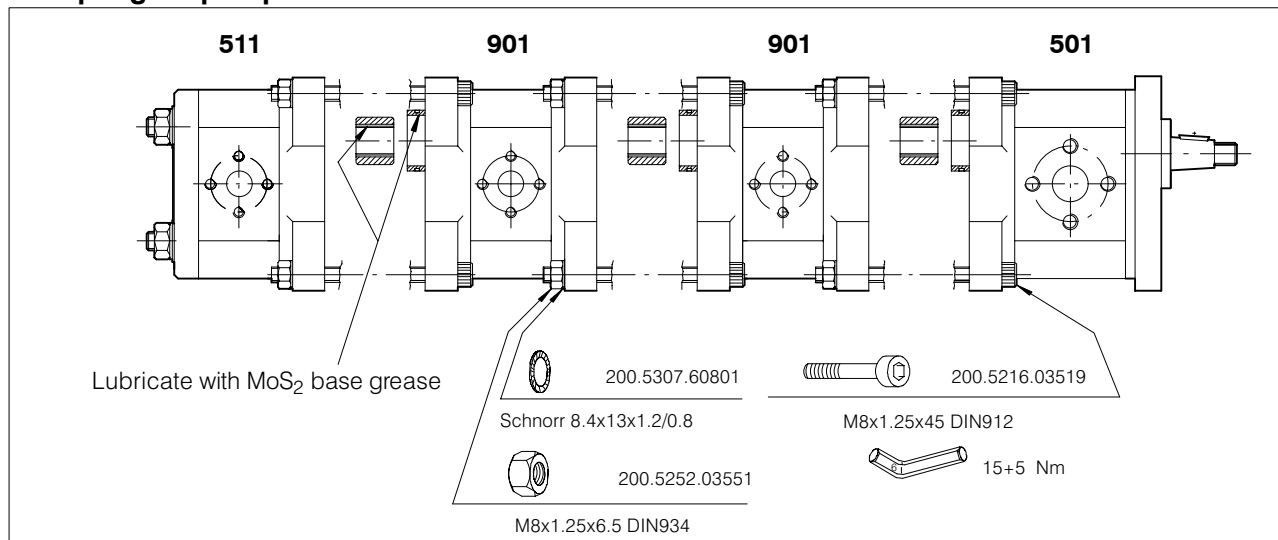
Displacement	A		B		C	
	mm	inch	mm	inch	mm	inch
4.5+4.5	174.5	6.8	39.5	1.5	90.5	3.56
6.5+4.5						
6.5+6.5						
8.5+4.5						
8.5+6.5						
8.5+8.5						
11+4.5	190.5	7.5	47.5	1.9	98.5	3.88
11+6.5						
11+8.5						
11+11						
15+4.5	190.5	7.5	47.5	1.9	98.5	3.88
15+6.5						
15+8.5	190.5	7.5	47.5	1.9	98.5	3.88
15+11						
15+15	210.5	8.3	47.5	1.9	106.5	4.2
19+4.5						
19+6.5						
19+8.5	202.5	7.9	53.5	2.1	104.5	4
19+11						
19+15						
19+19	232.5	9	53.5	2.1	118.5	4.7
22+4.5						
22+6.5	207	8.1	55.5	2.2	107	4.2
22+8.5						

Displacement	A		B		C	
	mm	inch	mm	inch	mm	inch
22+11	227	8.9	55.5	2.2	115	4.5
22+15						
22+19						
22+22						
26+4.5	207	8.1	55.5	2.2	107	4.2
26+6.5						
26+8.5	227	8.9	55.5	2.2	115	4.5
26+11						
26+15						
26+19	237	9.3	55.5	2.2	121	4.7
26+22						
26+26	242	9.5	55.5	2.2	123	4.8

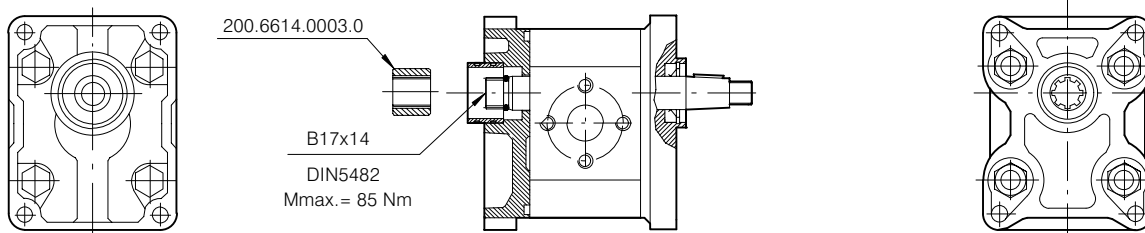
**Accessories**

Flange connectors	Splined couplings
RF221	
RF262	
RF216	
RF252	
RF217	
RF220	

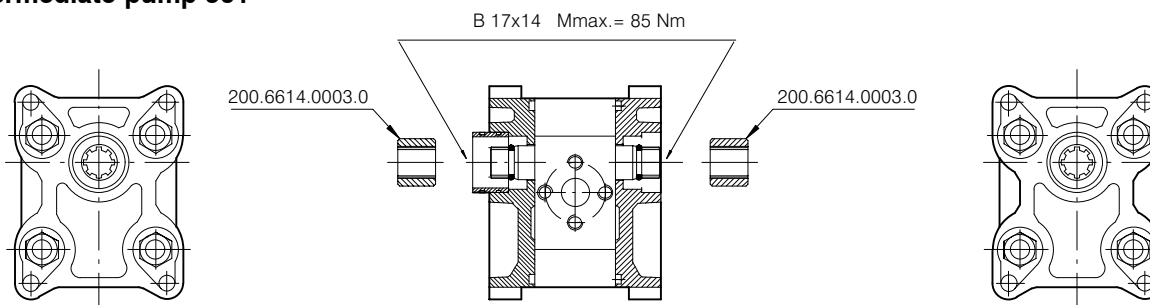
## Multiple gear pumps



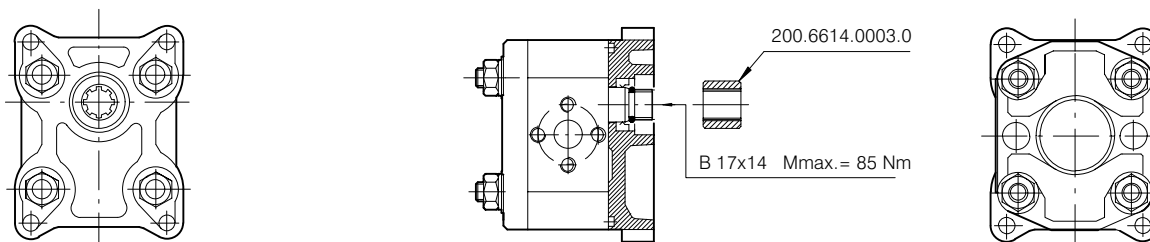
### Front pump 501



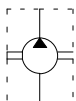
### Intermediate pump 901

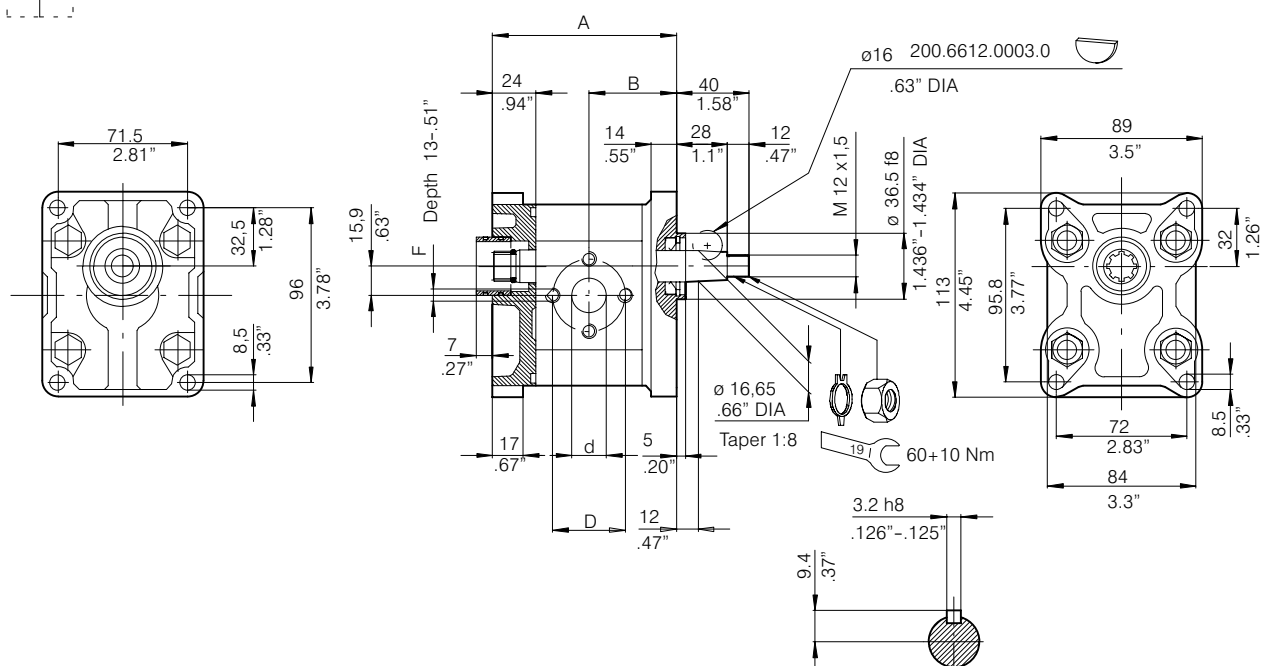


### Rear pump 511



The 501, 901, and 511 code pumps are sold as single pre-assembled and tested units. They can be used in a variety of combinations in double, triple, quadruple pumps, etc.. In the case of one or more pumps with operation under pressure or at the operating limits, the recommendations indicated on page 9/104 are to be observed.

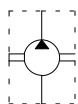

 Group **AP200**

 Code **501**


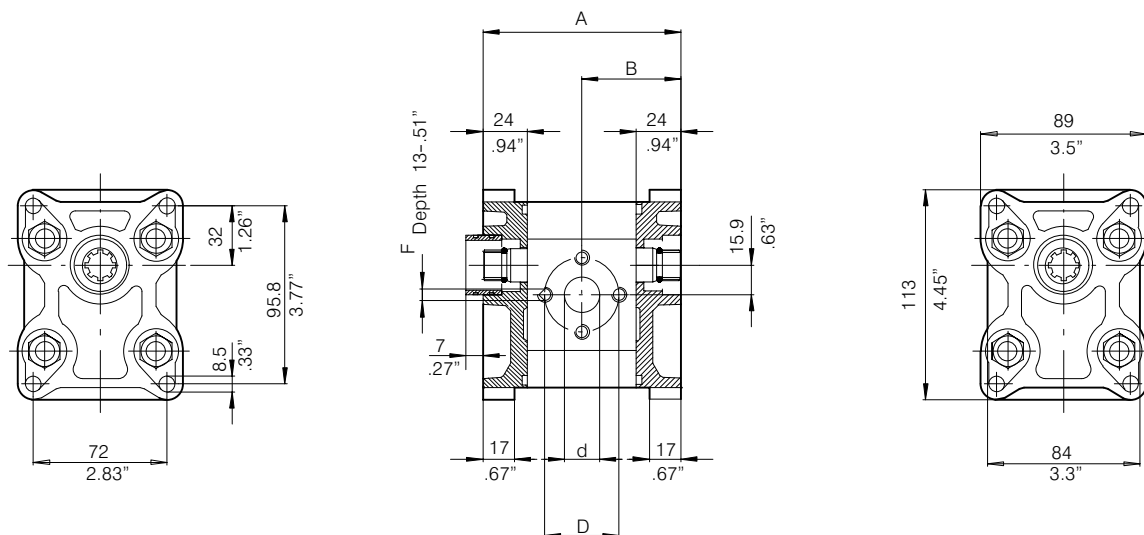
Type	Displacement cm <sup>3</sup> /rev	Dimensions				Suction					Pressure				
		A		B		d		D		F	d		D		F
		mm	inch	mm	inch	mm	inch	mm	inch	mm	mm	inch	mm	inch	mm
<b>AP200/4.5</b>	4.3														
<b>AP200/6.5</b>	6.3	85.5	3.36	40.3	1.59	13.5	.53	30	1.18	M6X1					
<b>AP200/8.5</b>	8.3										13.5	.53	30	1.18	M6X1
<b>AP200/11</b>	10.95	101.5	4	48.3	1.90										
<b>AP200/15</b>	14.95														
<b>AP200/19</b>	18.9	113.5	4.46	54.3	2.14	19	.75	40	1.58	M8X1.25					
<b>AP200/22</b>	21.9														
<b>AP200/26</b>	25.9	118	4.64	56.5	2.22						19	.75	40	1.58	M8X1.25

### Accessories

Type	Order Code	Clockwise rotation: D	Type	Order Code	C.clockwise rotation: S	Flange connectors	Spined couplings
AP200/4.5 D	<b>200.7483.1058.0</b>		AP200/4.5 S	<b>200.7483.1059.0</b>		RF223	GSH-2-14
AP200/6.5 D	<b>200.7483.2055.0</b>		AP200/6.5 S	<b>200.7483.2056.0</b>		RF224	GSH-2-15
AP200/8.5 D	<b>200.7483.3058.0</b>		AP200/8.5 S	<b>200.7483.3059.0</b>		RF225	GSH-2-18
AP200/11 D	<b>200.7483.4058.0</b>		AP200/11 S	<b>200.7483.4059.0</b>		RF238	200.6614.0003.0
AP200/15 D	<b>200.7483.5056.0</b>		AP200/15 S	<b>200.7483.5057.0</b>		RF246	
AP200/19 D	<b>200.7483.6057.0</b>		AP200/19 S	<b>200.7483.6058.0</b>		RF251	
AP200/22 D	<b>200.7483.7055.0</b>		AP200/22 S	<b>200.7483.7056.0</b>			
AP200/26 D	<b>200.7483.8047.0</b>		AP200/26 S	<b>200.7483.8048.0</b>			



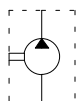
Group **AP200** Code **901**



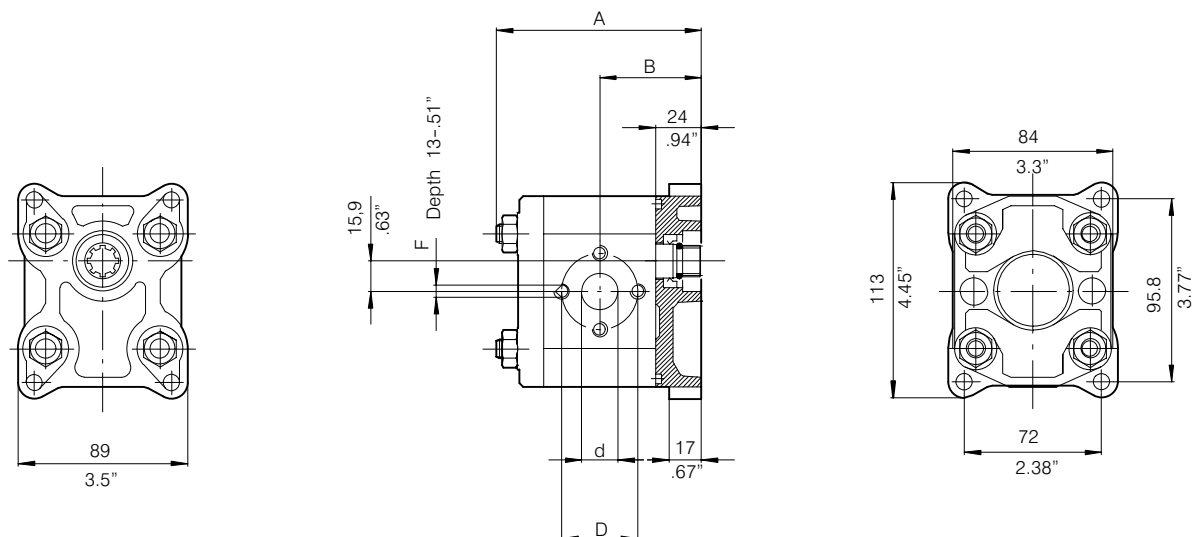
Type	Displacement cm <sup>3</sup> /rev	Dimensions				Suction					Pressure				
		A		B		d		D		F	d		D		F
		mm	inch	mm	inch	mm	inch	mm	inch	mm	mm	inch	mm	inch	mm
<b>AP200/4.5</b>	4.3	90.5	3.56	45.5	1.79	13.5	.53	30	1.18	M6X1	13.5	.53	30	1.18	M6X1
<b>AP200/6.5</b>	6.3														
<b>AP200/8.5</b>	8.3														
<b>AP200/11</b>	10.95	106.5	4.2	53.5	2.10	19	.75	40	1.58	M8X1.25	19	.75	40	1.58	M8X1.25
<b>AP200/15</b>	14.95														
<b>AP200/19</b>	18.9	123	4.84	61.5	2.40	19	.75	40	1.58	M8X1.25	19	.75	40	1.58	M8X1.25
<b>AP200/22</b>	21.9														
<b>AP200/26</b>	25.9														

### Accessories

Type	Order Code	Clockwise rotation: D	Type	Order Code	C.clockwise rotation: S	Flange connectors	Splined couplings
AP200/4.5 D	<b>200.7483.1062.0</b>		AP200/4.5 S	<b>200.7483.1063.0</b>		RF223	200.6614.0003.0
AP200/6.5 D	<b>200.7483.2059.0</b>		AP200/6.5 S	<b>200.7483.2060.0</b>		RF224	
AP200/8.5 D	<b>200.7483.3062.0</b>		AP200/8.5 S	<b>200.7483.3063.0</b>		RF225	
AP200/11 D	<b>200.7483.4062.0</b>		AP200/11 S	<b>200.7483.4063.0</b>		RF238	
AP200/15 D	<b>200.7483.5060.0</b>		AP200/15 S	<b>200.7483.5061.0</b>		RF246	
AP200/19 D	<b>200.7483.6061.0</b>		AP200/19 S	<b>200.7483.6062.0</b>		RF251	
AP200/22 D	<b>200.7483.7059.0</b>		AP200/22 S	<b>200.7483.7060.0</b>			
AP200/26 D	<b>200.7483.8051.0</b>		AP200/26 S	<b>200.7483.8052.0</b>			



Group **AP200** Code **511**



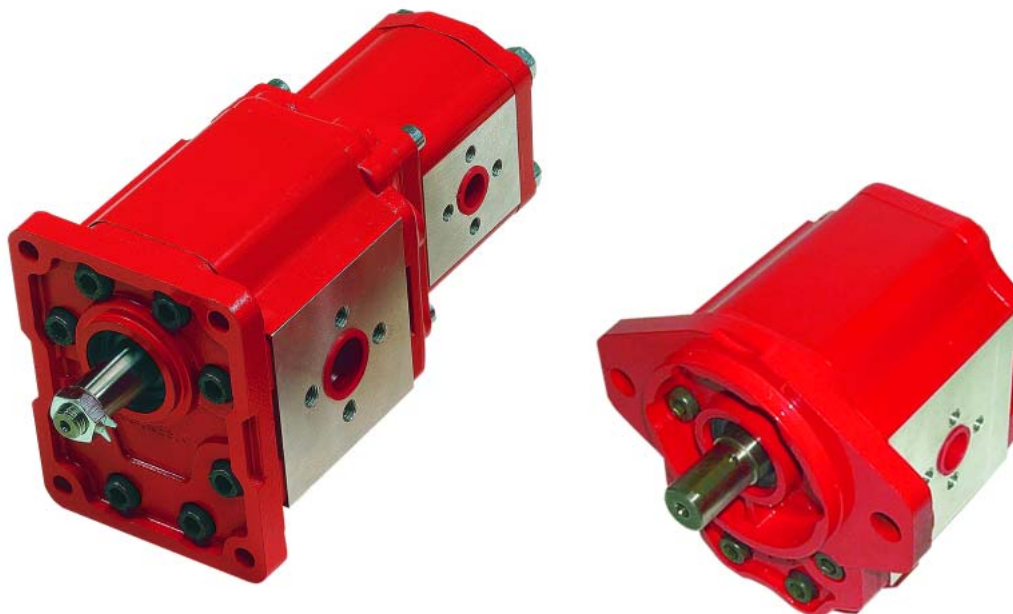
Type	Displacement cm <sup>3</sup> /rev	Dimensions				Suction					Pressure				
		A		B		d		D		F	d		D		F
		mm	inch	mm	inch	mm	inch	mm	inch	mm	mm	inch	mm	inch	mm
<b>AP200/4.5</b>	4.3	90	3.54	45.5	1.79	13.5	.53	30	1.18	M6X1	13.5	.53	30	1.18	M6X1
<b>AP200/6.5</b>	6.3														
<b>AP200/8.5</b>	8.3														
<b>AP200/11</b>	10.95	110	4.3	53.5	2.10	19	.75	40	1.58	M8X1.25	19	.75	40	1.58	M8X1.25
<b>AP200/15</b>	14.95														
<b>AP200/19</b>	18.9	120	4.72	59.5	2.34	19	.75	40	1.58	M8X1.25	19	.75	40	1.58	M8X1.25
<b>AP200/22</b>	21.9														
<b>AP200/26</b>	25.9	125	4.92	61.5	2.40										

**Accessories**

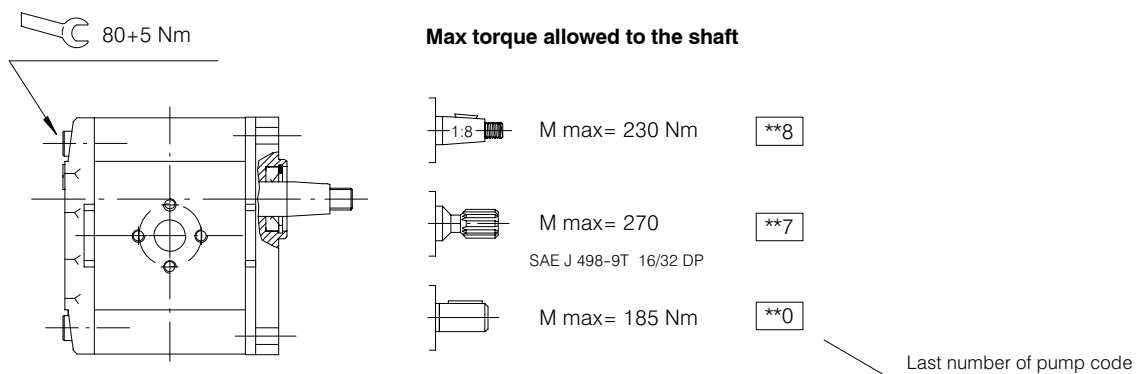
Type	Order Code	Clockwise rotation: D	Type	Order Code	C.clockwise rotation: S	Flange connectors	Splined couplings
AP200/4.5 D	<b>200.7483.1060.0</b>		AP200/4.5 S	<b>200.7483.1061.0</b>		RF223	200.6614.0003.0
AP200/6.5 D	<b>200.7483.2057.0</b>		AP200/6.5 S	<b>200.7483.2058.0</b>		RF224	
AP200/8.5 D	<b>200.7483.3060.0</b>		AP200/8.5 S	<b>200.7483.3061.0</b>		RF225	
AP200/11 D	<b>200.7483.4060.0</b>		AP200/11 S	<b>200.7483.4061.0</b>		RF238	
AP200/15 D	<b>200.7483.5058.0</b>		AP200/15 S	<b>200.7483.5059.0</b>		RF246	
AP200/19 D	<b>200.7483.6059.0</b>		AP200/19 S	<b>200.7483.6060.0</b>		RF251	
AP200/22 D	<b>200.7483.7057.0</b>		AP200/22 S	<b>200.7483.7058.0</b>			
AP200/26 D	<b>200.7483.8049.0</b>		AP200/26 S	<b>200.7483.8050.0</b>			



## 6 Gear pumps group AP300

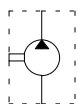


AP300 Type	Displacement		Max. pressure						n min.		n max.	
	cm <sup>3</sup> /rev	Cu. In. P.R.	P1		P2		P3		P ≤ P1	P > P1	P ≤ P1	P > P1
			bar	P.S.I.	bar	P.S.I.	bar	P.S.I.				
AP300/27	27.0	1.647	220	3150	250	3600	280	4000	600	800	3000	3500
AP300/31	31.0	1.891	220	3150	250	3600	280	4000	600	800	3000	3500
AP300/38	38.0	2.318	220	3150	250	3600	280	4000	600	800	2500	3000
AP300/45	45.0	2.745	200	2900	230	3300	260	3700	600	800	2500	3000
AP300/53	53.0	3.233	200	2900	230	3300	260	3700	600	800	2500	3000
AP300/63	63.0	3.843	180	2600	210	3000	240	3400	550	700	2500	3000
AP300/75	75.0	4.575	170	2400	190	2700	220	3150	550	700	2000	2500
AP300/93	93.0	5.673	150	2100	170	2400	200	2900	500	650	2000	2500

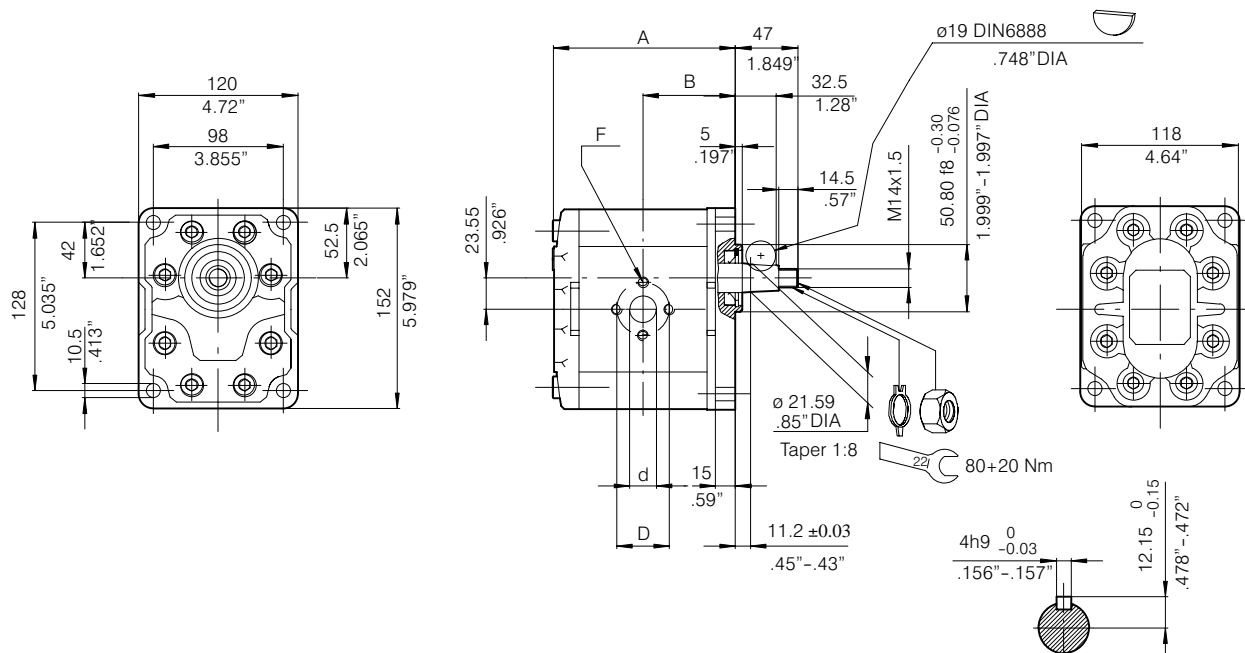


### Notes:

- For uses at the operating limits, see note on page 9/104.
- For codes and dimensions regarding accessories, see section 7.
- For the types of pumps without ordering code, contact our Sales Department.



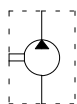
Group **AP300** Code **218**



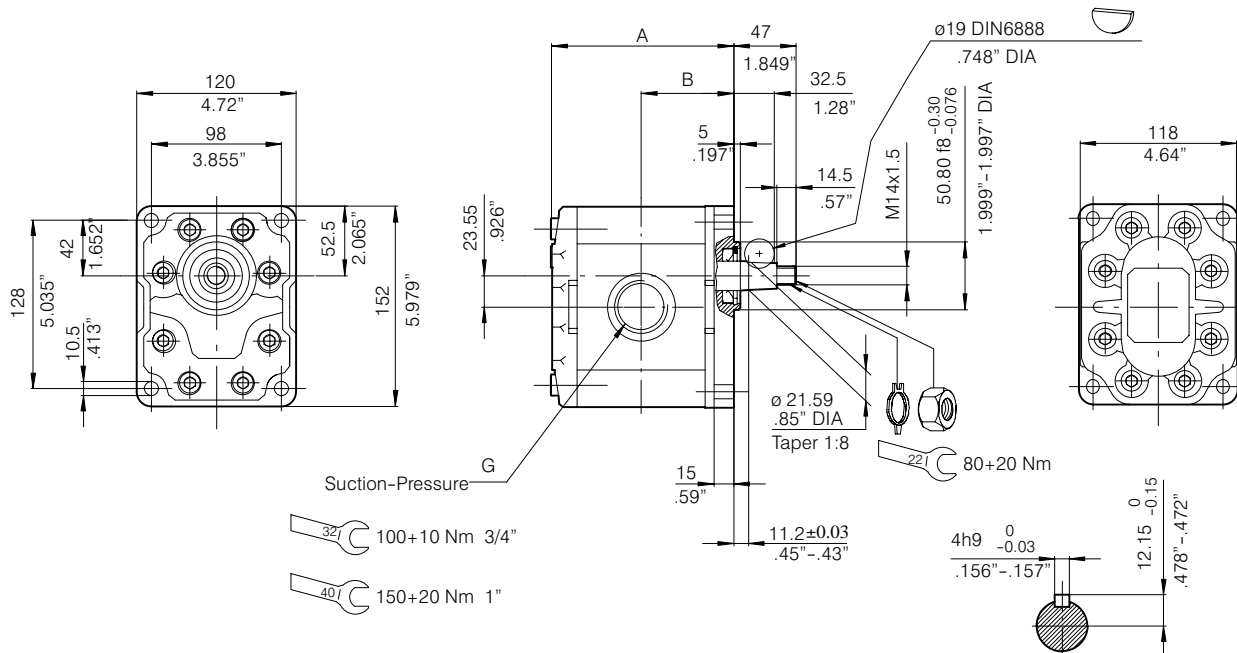
Type	Displacement cm <sup>3</sup> /rev	Dimensions				Suction					Pressure				
		A		B		d		D		F	d		D		F
		mm	inch	mm	inch	mm	inch	mm	inch	mm	mm	inch	mm	inch	mm
<b>AP300/27</b>	27	126.0	4.96	64.0	2.51										
<b>AP300/31</b>	31	129.0	5.07	65.0	2.55										
<b>AP300/38</b>	38	133.5	5.25	67.5	2.65	27	1.06	51	2.00	M10X1.5	20	.78	40	1.56	M8X1.25
<b>AP300/45</b>	45	138.5	5.43	70.0	2.75										
<b>AP300/53</b>	53	143.0	5.62	72.5	2.85										
<b>AP300/63</b>	63	150.0	5.90	75.5	2.97										
<b>AP300/75</b>	75	157.5	6.20	79.5	3.13	32	1.26	62	2.43	M12X1.75	27	1.06	51	2.00	M10X1.5
<b>AP300/93</b>	93	169.0	6.65	85.5	3.36										

**Accessories**

Type	Order Code	Clockwise rotation: D	Type	Order Code	C.clockwise rotation: S	Flange connectors	Splined couplings
AP300/27 D	<b>200.1031.132.01</b>		AP300/27 S	<b>200.1031.133.01</b>		RF233	GSH-3-18
AP300/31 D	<b>200.1032.132.01</b>		AP300/31 S	<b>200.1032.133.01</b>		RF261	GSH-3-20
AP300/38 D	<b>200.1033.132.01</b>		AP300/38 S	<b>200.1033.133.01</b>		RF272	
AP300/45 D	<b>200.1034.132.01</b>		AP300/45 S	<b>200.1034.133.01</b>		RF256	
AP300/53 D	<b>200.1035.132.01</b>		AP300/53 S	<b>200.1035.133.02</b>		RF225	
AP300/63 D	<b>200.1036.132.02</b>		AP300/63 S	<b>200.1036.133.01</b>		RF246	
AP300/75 D	<b>200.1037.132.01</b>		AP300/75 S	<b>200.1037.133.01</b>		RF251	
AP300/93 D	<b>200.1038.132.01</b>		AP300/93 S	<b>200.1038.133.03</b>			



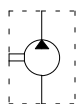
Group **AP300** Code **818**



Type	Displacement cm <sup>3</sup> /rev	Dimensions				Suction	Pressure
		A		B		G	G
		mm	inch	mm	inch	BSP	BSP
<b>AP300/27</b>	27	126.0	4.96	64.0	2.51	1"	3/4"
<b>AP300/31</b>	31	129.0	5.07	65.0	2.55		
<b>AP300/38</b>	38	133.5	5.25	67.5	2.65		
<b>AP300/45</b>	45	138.5	5.43	70.0	2.75		
<b>AP300/53</b>	53	143.0	5.62	72.5	2.85		
<b>AP300/63</b>	63	150.0	5.90	75.5	2.97		
<b>AP300/75</b>	75	157.5	6.20	79.5	3.13		
<b>AP300/93</b>	93	169.0	6.65	85.5	3.36		

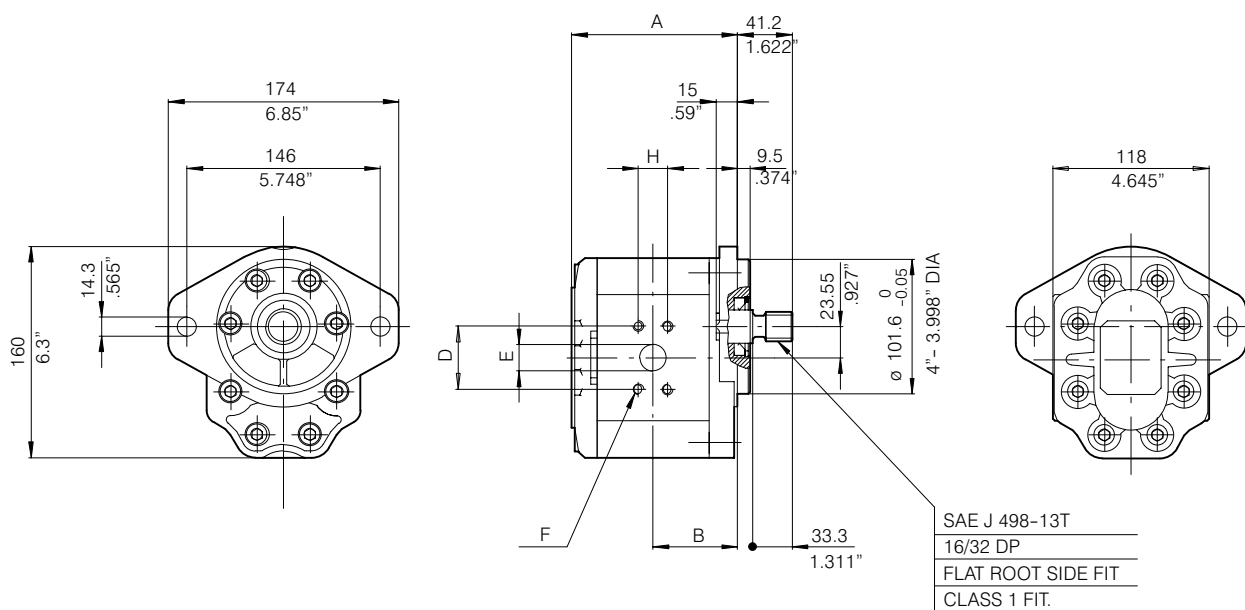
**Accessories**

Type	Order Code	Clockwise rotation: D	Type	Order Code	C.clockwise rotation: S	Flange connectors	Splined couplings
AP300/27 D	<b>200.1031.132.03</b>		AP300/27 S	<b>200.1031.133.07</b>			GSH-3-18
AP300/31 D	<b>200.1032.132.05</b>		AP300/31 S	<b>200.1032.133.03</b>		GSH-3-20	
AP300/38 D	<b>200.1033.132.02</b>						
AP300/45 D	<b>200.1034.132.03</b>						
AP300/53 D	<b>200.1035.132.04</b>						
AP300/63 D	<b>200.1036.132.01</b>						
AP300/75 D	<b>200.1037.132.02</b>						
AP300/93 D	<b>200.1038.132.02</b>						



Group **AP300**

Code **287S**

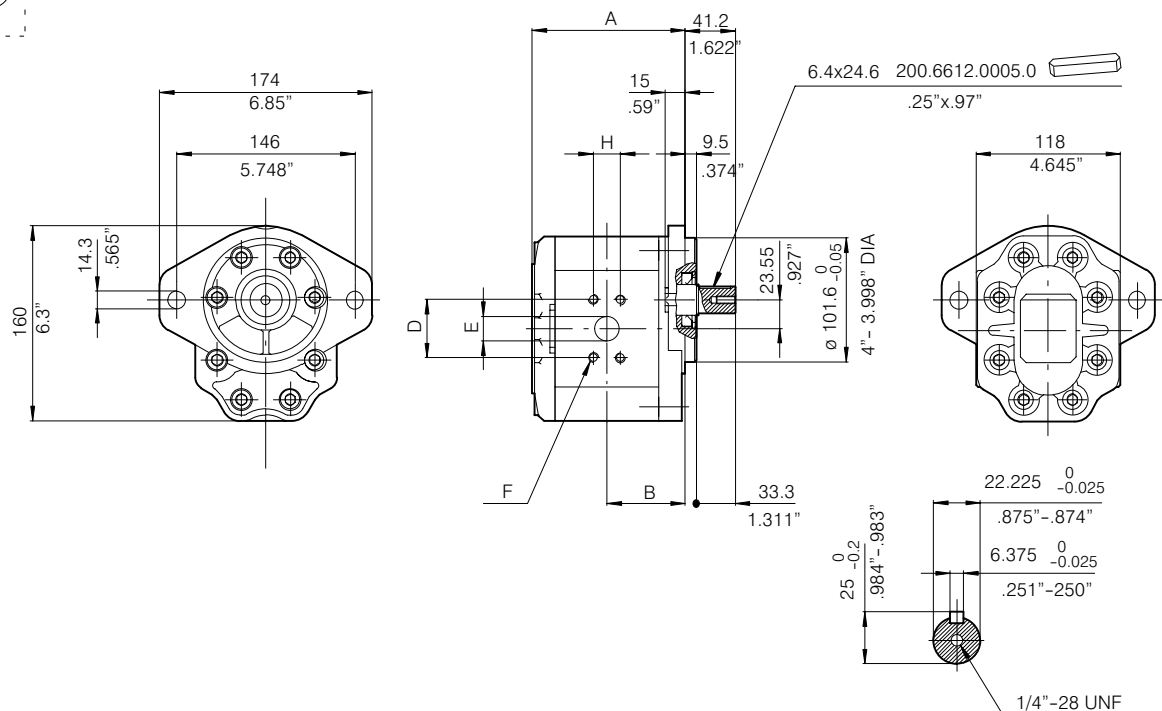
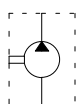


Type	Disp. cm <sup>3</sup> /rev	Dimensions				Suction							Pressure							
		A		B		H		D		E		F	H		D		E		F	
		mm	inch	mm	inch	mm	inch	mm	inch	mm	inch	UNC2B	mm	inch	mm	inch	mm	inch	UNC2B	
<b>AP300/27</b>	27	126.0	4.96	64.0	2.51	26.2	1.03	52.4	2.06	25	.99	3/8" - 16	22.2	.88	47.6	1.88	19	.75	3/8" - 16	
<b>AP300/31</b>	31	129.0	5.07	65.0	2.55	30.2	1.19	58.7	2.31	31	1.22	7/16" - 14	26.2	1.03	52.4	2.06	25	.99	3/8" - 16	
<b>AP300/38</b>	38	133.5	5.25	67.5	2.65															
<b>AP300/45</b>	45	138.5	5.43	70.0	2.75	35.7	1.40	70	2.76	38	1.5	1/2" - 13	30.2	1.19	58.7	2.31	31	1.22	7/16" - 14	
<b>AP300/53</b>	53	143.0	5.62	72.5	2.85															
<b>AP300/63</b>	63	150.0	5.90	75.5	2.97															
<b>AP300/75</b>	75	158.0	6.22	79.5	3.13															
<b>AP300/93</b>	93	169.0	6.65	85.5	3.36															

**Accessories**

Type	Order Code	Clockwise rotation: D	Type	Order Code	C.clockwise rotation: S	Flange connectors	Spined couplings
AP300/27 D	<b>200.1031.862.01</b>		AP300/27 S	<b>200.1031.863.01</b>		RFS249	
AP300/31 D	<b>200.1032.862.01</b>		AP300/31 S	<b>200.1032.863.01</b>		RFS248	
AP300/38 D	<b>200.1033.862.01</b>		AP300/38 S	<b>200.1033.863.01</b>		RFS275	
AP300/45 D	<b>200.1034.862.01</b>		AP300/45 S	<b>200.1034.863.01</b>		RFS250	
AP300/53 D	<b>200.1035.862.01</b>		AP300/53 S	<b>200.1035.863.01</b>			
AP300/63 D	<b>200.1036.862.01</b>		AP300/63 S	<b>200.1036.863.01</b>			
AP300/75 D	<b>200.1037.862.01</b>		AP300/75 S	<b>200.1037.863.01</b>			
AP300/93 D	<b>200.1038.862.01</b>		AP300/93 S	<b>200.1038.863.01</b>			

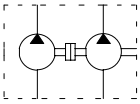
Group **AP300** Code **280**



Type	Disp. cm <sup>3</sup> /rev	Dimensions				Suction						Pressure							
		A		B		H		D		E		F	H		D		E		F
		mm	inch	mm	inch	mm	inch	mm	inch	mm	inch	UNC2B	mm	inch	mm	inch	mm	inch	UNC2B
<b>AP300/27</b>	27	126.0	4.96	64.0	2.51	26.2	1.03	52.4	2.06	25	.99	3/8" - 16	22.2	.88	47.6	1.88	19	.75	3/8" - 16
<b>AP300/31</b>	31	129.0	5.07	65.0	2.55	30.2	1.19	58.7	2.31	31	1.22	7/16" - 14	26.2	1.03	52.4	2.06	25	.99	3/8" - 16
<b>AP300/38</b>	38	133.5	5.25	67.5	2.65														
<b>AP300/45</b>	45	138.5	5.43	70.0	2.75														
<b>AP300/53</b>	53	143.0	5.62	72.5	2.85	35.7	1.40	70	2.76	38	1.5	1/2" - 13	30.2	1.19	58.7	2.31	31	1.22	7/16" - 14
<b>AP300/63</b>	63	150.0	5.90	75.5	2.97														
<b>AP300/75</b>	75	158.0	6.22	79.5	3.13														
<b>AP300/93</b>	93	169.0	6.65	85.5	3.36														

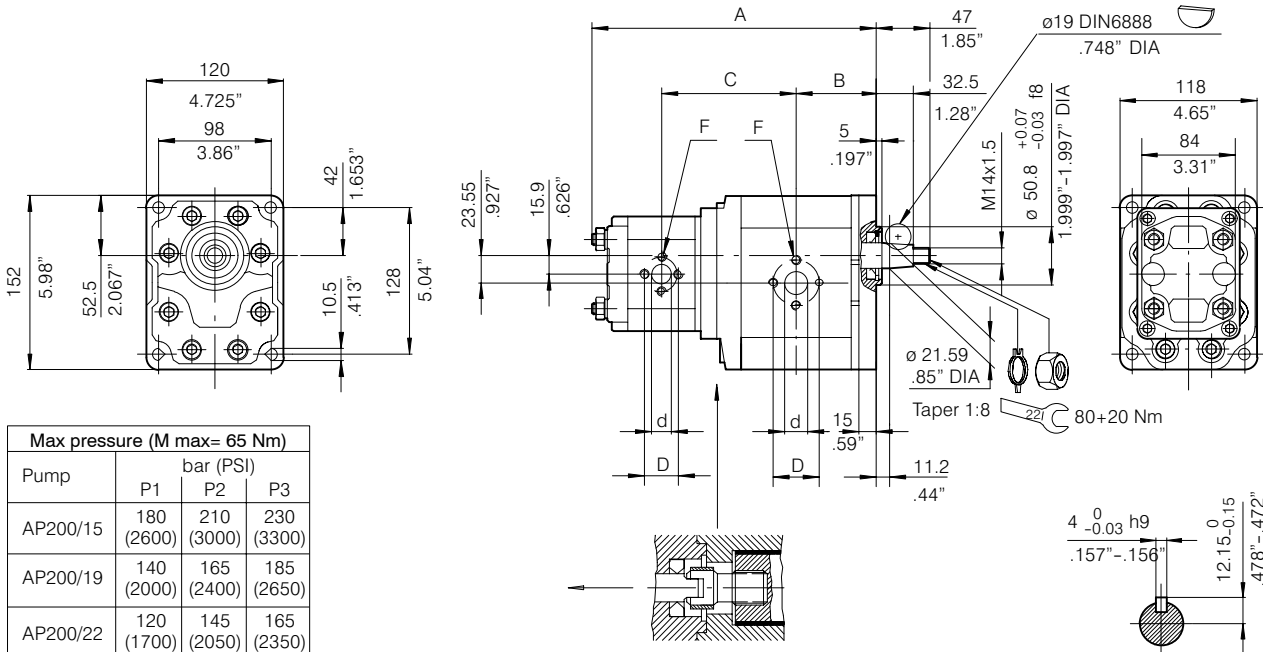
**Accessories**

Type	Order Code	Clockwise rotation: D	Type	Order Code	C.clockwise rotation: S	Flange connectors	Splined couplings
AP300/27 D	<b>200.1031.802.01</b>		AP300/27 S	<b>200.1031.803.01</b>		RFS249	
AP300/31 D	<b>200.1032.802.01</b>		AP300/31 S	<b>200.1032.803.01</b>		RFS248	
AP300/38 D	<b>200.1033.802.01</b>		AP300/38 S	<b>200.1033.803.01</b>		RFS275	
AP300/45 D	<b>200.1034.802.01</b>		AP300/45 S	<b>200.1034.803.01</b>		RFS250	
AP300/53 D	<b>200.1035.802.01</b>		AP300/53 S	<b>200.1035.803.01</b>			
AP300/63 D	<b>200.1036.802.01</b>		AP300/63 S	<b>200.1036.803.01</b>			
AP300/75 D	<b>200.1037.802.01</b>		AP300/75 S	<b>200.1037.803.01</b>			
AP300/93 D	<b>200.1038.802.01</b>		AP300/93 S	<b>200.1038.803.01</b>			



Group **AP300+AP200**

Code **2218**



Max pressure (M max= 65 Nm)			
Pump	bar (PSI)		
	P1	P2	P3
AP200/15	180 (2600)	210 (3000)	230 (3300)
AP200/19	140 (2000)	165 (2400)	185 (2650)
AP200/22	120 (1700)	145 (2050)	165 (2350)
AP200/26	100 (1450)	120 (1750)	140 (2000)

AP300										
Displacement	Suction					Pressure				
	d		D		F	d		D		F
	mm	inch	mm	inch	mm	mm	inch	mm	inch	mm
27	27	1.06	51	2.01	10	20	.79	40	1.58	8
31										
38										
45										
53										
63	32	1.26	62	2.44	12	27	1.07	51	2.01	10
75										
93										

Accessories	
Flange connectors	Spined couplings
RF233	GSH-3-18
RF261	GSH-3-20
RF272	
RF256	
RF225	
RF246	
RF251	

AP200										
Displacement	Suction					Pressure				
	d		D		F	d		D		F
	mm	inch	mm	inch	mm	mm	inch	mm	inch	mm
4.5	13.5	.53	30	1.18	6	13.5	.53	30	1.18	6
6.5										
8.5										
11	19	.75	40	1.58	8	19	.75	40	1.58	8
15										
19										
22										
26										

Accessories	
Flange connectors	Spined couplings
RF223	
RF224	
RF225	
RF238	
RF246	
RF251	

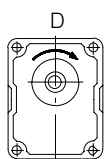
N.B.: With respect to the standards, the maximum pressures of some versions of this pump are reduced in relation to the max. torque allowed to the shaft.

Group **AP300+AP200** Code **2218**

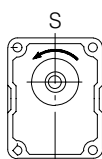
	AP300/27			AP300/31			AP300/38			AP300/45		
	A	B	C	A	B	C	A	B	C	A	B	C
	mm	mm	mm	mm	mm	mm	mm	mm	mm	mm	mm	mm
	<i>inch</i>	<i>inch</i>	<i>inch</i>	<i>inch</i>	<i>inch</i>	<i>inch</i>	<i>inch</i>	<i>inch</i>	<i>inch</i>	<i>inch</i>	<i>inch</i>	<i>inch</i>
<b>AP200/4.5</b> <b>AP200/6.5</b> <b>AP200/8.5</b>	215.5	64	103.5	218	65	105	222.5	67.5	107.5	227	69.8	109.5
	<i>8.5</i>	<i>2.52</i>	<i>4.08</i>	<i>8.6</i>	<i>2.56</i>	<i>4.14</i>	<i>8.76</i>	<i>2.66</i>	<i>4.23</i>	<i>8.94</i>	<i>2.75</i>	<i>4.31</i>
<b>AP200/11</b> <b>AP200/15</b>	230.5	64	111.5	233	65	113	237.5	67.5	115.5	242	69.8	117.5
	<i>9.08</i>	<i>2.52</i>	<i>4.39</i>	<i>9.2</i>	<i>2.56</i>	<i>4.45</i>	<i>9.35</i>	<i>2.66</i>	<i>4.55</i>	<i>9.53</i>	<i>2.75</i>	<i>4.63</i>
<b>AP200/19</b>	240.5	64	117.5	243	65	119	247.5	67.5	121.5	252	69.8	123.5
	<i>9.47</i>	<i>2.52</i>	<i>4.62</i>	<i>9.57</i>	<i>2.56</i>	<i>4.69</i>	<i>9.75</i>	<i>2.66</i>	<i>4.78</i>	<i>9.92</i>	<i>2.75</i>	<i>4.86</i>
<b>AP200/22</b> <b>AP200/26</b>	245.5	64	120	248	65	121	252.5	67.5	123.5	257	69.8	126
	<i>9.67</i>	<i>2.52</i>	<i>4.72</i>	<i>9.76</i>	<i>2.56</i>	<i>4.76</i>	<i>9.95</i>	<i>2.66</i>	<i>4.86</i>	<i>10.12</i>	<i>2.75</i>	<i>4.96</i>

	AP300/53			AP300/63			AP300/75			AP300/93		
	A	B	C	A	B	C	A	B	C	A	B	C
	mm	mm	mm	mm	mm	mm	mm	mm	mm	mm	mm	mm
	<i>inch</i>	<i>inch</i>	<i>inch</i>	<i>inch</i>	<i>inch</i>	<i>inch</i>	<i>inch</i>	<i>inch</i>	<i>inch</i>	<i>inch</i>	<i>inch</i>	<i>inch</i>
<b>AP200/4.5</b> <b>AP200/6.5</b> <b>AP200/8.5</b>	232.5	72.5	112	239	75.5	115.5	246.5	79.5	119.5	258.5	85.5	125
	<i>9.15</i>	<i>2.86</i>	<i>4.4</i>	<i>9.45</i>	<i>2.97</i>	<i>4.55</i>	<i>9.7</i>	<i>3.13</i>	<i>4.71</i>	<i>10.12</i>	<i>3.37</i>	<i>4.92</i>
<b>AP200/11</b> <b>AP200/15</b>	247.5	72.5	120	254	75.5	123.5	261.5	79.5	127.5	273.5	85.5	133
	<i>9.74</i>	<i>2.86</i>	<i>4.72</i>	<i>10</i>	<i>2.97</i>	<i>4.86</i>	<i>10.3</i>	<i>3.13</i>	<i>5.02</i>	<i>10.77</i>	<i>3.37</i>	<i>5.23</i>
<b>AP200/19</b>	257.5	72.5	126	264	75.5	129.5	271.5	79.5	133.5	283.5	85.5	139
	<i>10.13</i>	<i>2.86</i>	<i>4.96</i>	<i>10.4</i>	<i>2.97</i>	<i>5.1</i>	<i>10.37</i>	<i>3.13</i>	<i>5.26</i>	<i>11.16</i>	<i>3.37</i>	<i>5.47</i>
<b>AP200/22</b> <b>AP200/26</b>	262.5	72.5	128.5	269	75.5	131.5	276.5	79.5	135.5	288.5	85.5	141.5
	<i>10.3</i>	<i>2.86</i>	<i>5.06</i>	<i>10.6</i>	<i>2.97</i>	<i>5.18</i>	<i>10.89</i>	<i>3.13</i>	<i>5.33</i>	<i>11.36</i>	<i>3.37</i>	<i>5.57</i>

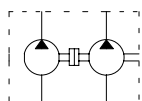
Example of product code



**AP300/38 – 200/15 D 2218**  
(Clockwise rotation: D)

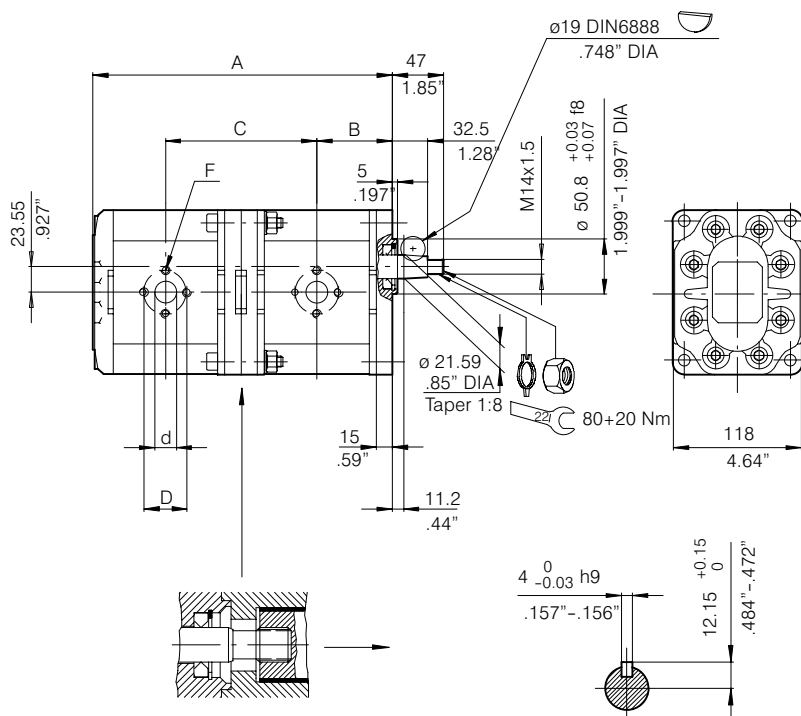
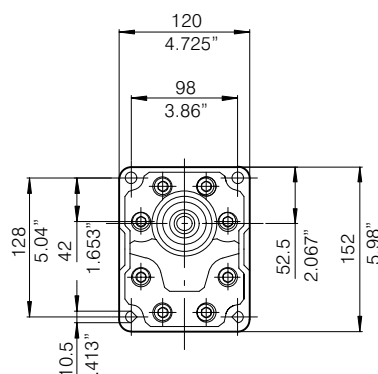


**AP300/63 – 200/22 S 2218**  
(Counterclockwise rotation : S)



Group **AP300+AP300**

Code **2218**



Max pressure (M max= 65 Nm)			
Pump	bar (PSI)		
	P1	P2	P3
AP300/38	200 (2900)	230 (3300)	250 (3600)
AP300/45	190 (2700)	220 (3200)	240 (3400)
AP300/53	160 (2300)	190 (2700)	210 (3000)
AP300/63	130 (1900)	160 (2300)	180 (2600)
AP300/75	100 (1450)	130 (1900)	150 (2100)
AP300/95	80 (1150)	110 (1600)	130 (1900)

Displacement	Suction			Pressure						
	d	D	F	d	D	F				
cm <sup>3</sup> /rev	mm	inch	mm	mm	inch	mm				
27	27	1.06	51	2.01	10	20	.79	40	1.58	8
31										
38										
45										
53										
63	32	1.26	62	2.44	12	27	1.65	51	2.01	10
75										
93										

Displacement	A		B		C			
	mm	inch	mm	inch	mm	inch		
cm <sup>3</sup> /rev	mm	inch	mm	inch	mm	inch		
53+38	278	10.94	72.5	2.85	140	5.52		
53+45	283	11.14			142	5.60		
53+53	288	11.34			144.5	5.69		
63+27	278	10.95	75.5	2.97	139.5	5.50		
63+31	280	11.02			141	5.55		
63+38	285	11.22			143	5.63		
63+45	289	11.38			145.5	5.73		
63+53	295	11.61			148	5.83		
63+63	301	11.85	79.5	3.13	151	5.95		
75+27	285	11.22			143.5	5.65		
75+31	288	11.34			144.5	5.69		
75+38	293	11.54			147	5.79		
75+45	297	11.70			149.5	5.89		
75+53	302	11.89	79.5	3.13	152	5.99		
75+63	309	12.17			155	6.10		
75+75	317	12.40			159	6.26		
93+27	297	11.70			85.5	3.37	149	5.87
93+31	300	11.80					150.5	5.93
93+38	304	11.97	153	6.02				
93+45	309	12.17	155	6.10				
93+53	314	12.36	157.5	6.2				
93+63	321	12.64	161	6.34				
93+75	328	12.91	165	6.5				
93+93	340	13.39	170.5	6.72				

Displacement	A		B		C	
	mm	inch	mm	inch	mm	inch
cm <sup>3</sup> /rev	mm	inch	mm	inch	mm	inch
27+27	254	10.00	63.8	2.51	127.5	5.02
31+27	257	10.12	65.2	2.57	129	5.08
31+31	259	10.20			130.5	5.14
38+27	261	10.27	67.5	2.66	131.5	5.18
38+31	264	10.40			132.5	5.22
38+38	269	10.60			135	5.32
45+27	266	10.00	69.8	2.75	133.5	5.26
45+31	268	10.55			135	5.31
45+38	273	10.75			137.5	5.41
45+45	278	10.95			139.5	5.50
53+27	271	10.67			72.5	2.85
53+31	274	10.78	137.5	5.42		

N.B.: With respect to the standards, the maximum pressures of some versions of this pump are reduced in relation to the max. torque allowed to the shaft.

Note: For the accessories see pump group AP300 code 218 page 87/104.

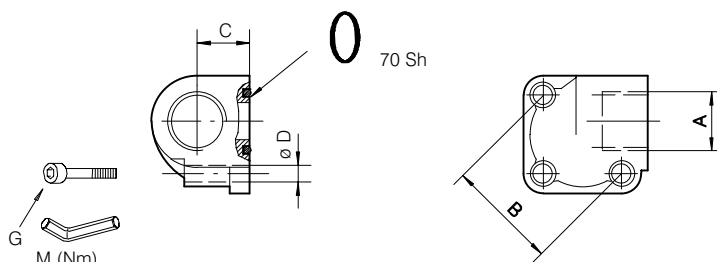


## 7 Accessories

### 7.1 Flange connectors

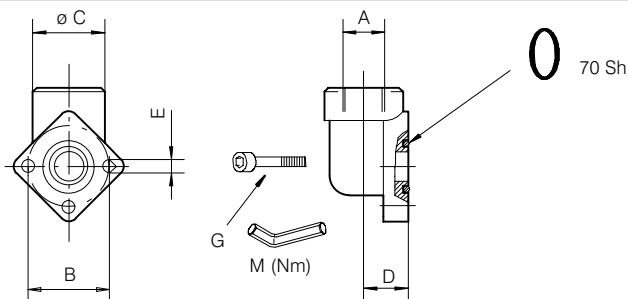
Flange connectors are supplied with bolts and O-ring seals

Material: aluminium alloy



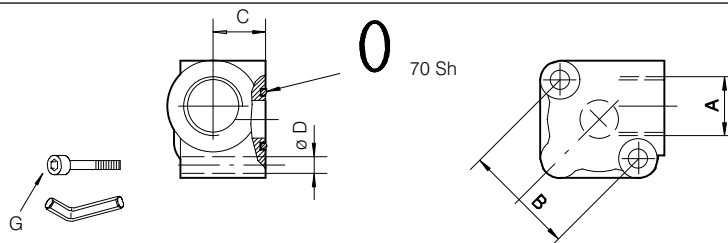
Type	Order code	A	B		C		D		M (Nm)	O-Ring	G (DIN912)
			mm	inch	mm	inch	mm	inch			
RF197	200.7702.3001.0	1/2" BSP	30	1.18	16	.63	6.5	.25	10+1	121	M6x1x30
RF198	200.7702.1001.0	M18X1.5									
RF199	200.7702.2001.0	3/8" BSP									

Material: cast-iron



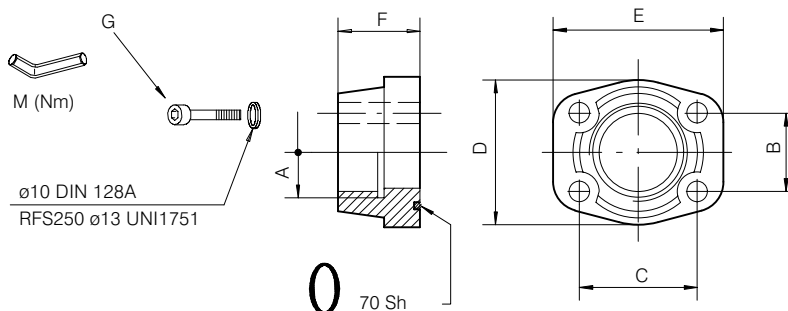
Type	Order code	A	B		C		D		E		M (Nm)	O-Ring	G (DIN912)
			mm	inch	mm	inch	mm	inch	mm	inch			
RF223	200.7702.3006.0	1/2" BSP	30	1.18	30	1.18	17.5	.63	6.5	.25	10+1	121	M6x1x18
RF224	200.7702.1007.0	M18X1.5											
RF238	200.7702.2004.0	3/8" BSP											
RF225	200.7702.4003.0	3/4" BSP	40	1.57	40	1.57	21	1.02	8.5	.33	20+2	132	M8x1.25x20
RF246	200.7702.3007.0	1/2" BSP											
RF251	200.7702.1009.0	M18X1.5											
RF233	200.7702.5008.0	1" BSP	51	2	48	2	27	.98	10.5	.41	30+5	4118	M10x1.5x25
RF261	200.7702.4008.0	3/4" BSP										3125	
RF272	200.7702.5004.0	1" BSP	62	2.44	58	2.28	34.5	1.36	12.5	.51	50+2	4150	M12x1.75x30
RF256	200.7702.9007.0	1 1/4" BSP			60	2.36			10.5	.41			M12x1.75x35

Material: aluminium alloy



Type	Order code	A	B		C		D		M (Nm)	O-Ring	G (DIN912)
			mm	inch	mm	inch	mm	inch			
RF221	200.7702.1006.0	M18x1.5	35	1.37	18.5	.73	6.5	.25	10+1	3075	M6x1x40
RF262	200.7702.2007.0	3/8" BSP									
RF216	200.7702.3004.0	1/2" BSP									
RF252	200.7702.1010.0	M18x1.5	40	1.57	21.5	.85	6.5	.25	10+1	132	M6x1x40
RF217	200.7702.3005.0	1/2" BSP									
RF220	200.7702.4002.0	3/4" BSP									

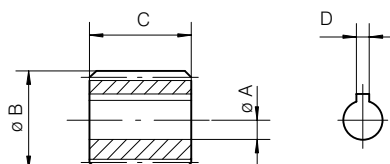
Material: cast-iron



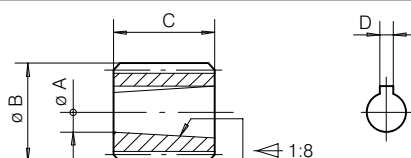
Type	Order code	A	B		C		D		E		F		M (Nm)	O-Ring	G (DIN912)
			mm	inch	mm	inch	mm	inch	mm	inch	mm	inch			
RFS249	200.7702.4006.0	3/4" BSP	22.2	.87	47.6	1.87	48	1.89	65	2.56	36	1.42	25+2	4100	3/8"16UNF
RFS248	200.7702.5003.0	1" BSP	26.2	1.03	52.4	2.06	52	2.04	70	2.75	38	1.50		4131	3/8"16UNC
RFS275	200.7702.9017.0	1 1/4" BSP	30.2	1.19	58.7	2.31	68	2.68	79	3.11	41	1.61		4150	7/16"14UNC
RFS250	200.7702.9006.0	1 1/2" BSP	35.7	1.40	70	2.99	76	2.99	93	3.66	44	1.73	50+2	4187	1/2"13UNC

## 7.2 Splined couplings

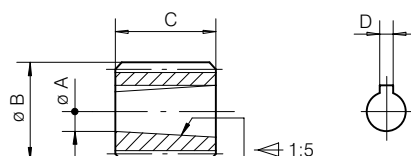
Material: UNI5331 16 CrNi4Pb Hardness 58 - 60 HRc (\*) UNI5332 38NiCrMo4Pb R= 950 - 1050 N/mm<sup>2</sup>



Type	Pump group	Order code	Splined profile DIN 5482	A		B		C		D		n. of feet
				mm	inch	mm	inch	mm	inch	mm	inch	
GSH-06	AP05	200.5314.20001	20X17	7	.27	19.5	.76	9	.35	2	.08	12



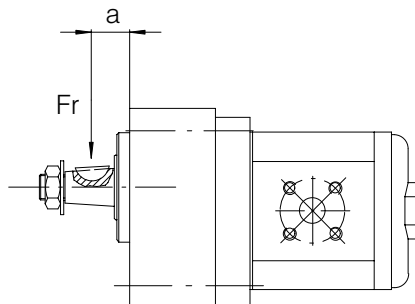
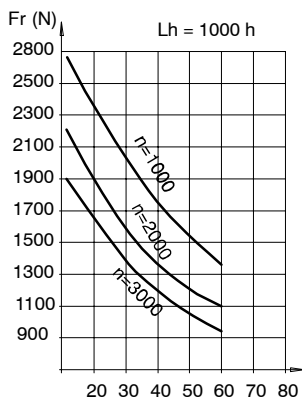
Type	Pump group	Order code	Splined profile DIN 5482	A		B		C		D		n. of feet
				mm	inch	mm	inch	mm	inch	mm	inch	
GSH-1-12	AP100	200.5315.30001	20X17	8	.31	19.5	.77	14.5	.57	2.4	.09	12
GSH-1-14	AP100	200.5315.30002	25x22			24.5	.96					14
GSH-2-14*	AP200	200.5315.40001	25x22	14.2	.56	27.5	1.08	22	.87	3.2	.12	15
GSH-2-15	AP200	200.5315.40002	28x25			34.5	1.36					18
GSH-2-18	AP200	200.5315.40003	35x31			39.5	1.55					20
GSH-3-18*	AP300	200.5315.50001	35x31	18.7	.73	26	1.02	4	.16	4	.16	18
GSH-3-20	AP300	200.5315.50002	40x36									20



Type	Pump group	Order code	Splined profile DIN 5482	A		B		C		D		n. of feet
				mm	inch	mm	inch	mm	inch	mm	inch	
GSH-1B-12	AP100	200.5314.30001	20X17	7.6	.3	19.5	.77	12	.47	2	.08	12
GSH-2B-14*	AP200	200.5314.40001	25x22	13	.5	24.5	.96	20	.79	3	.12	14
GSH-2B-15	AP200	200.5314.40002	28x25			27.5	1.08					15
GSH-2B-18	AP200	200.5314.40003	35x31			34.5	1.36					18

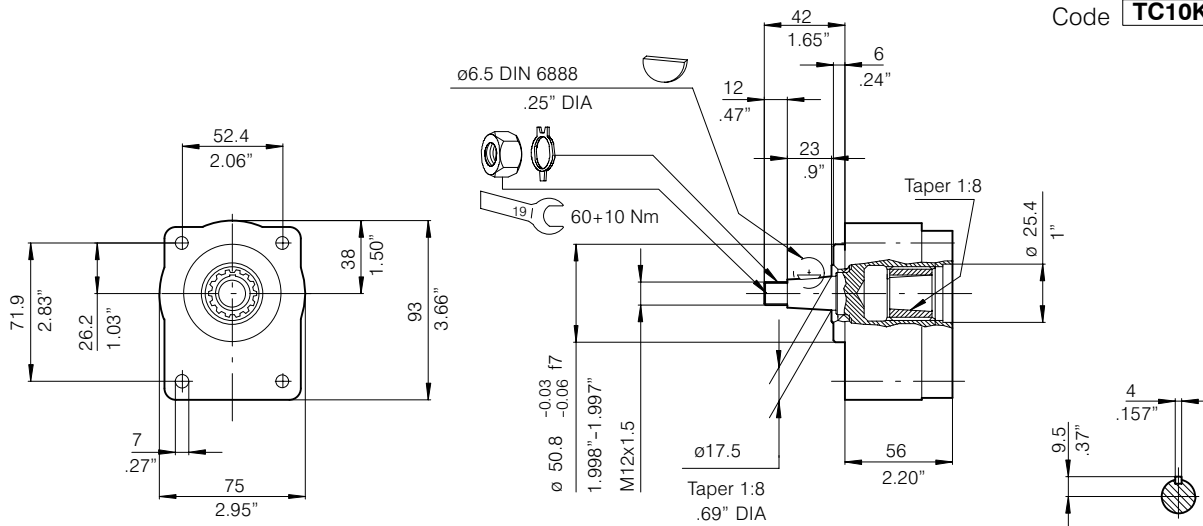
7.3 Independent supports

TC10 (AP100/218 – AP100/318 – AP100/818)



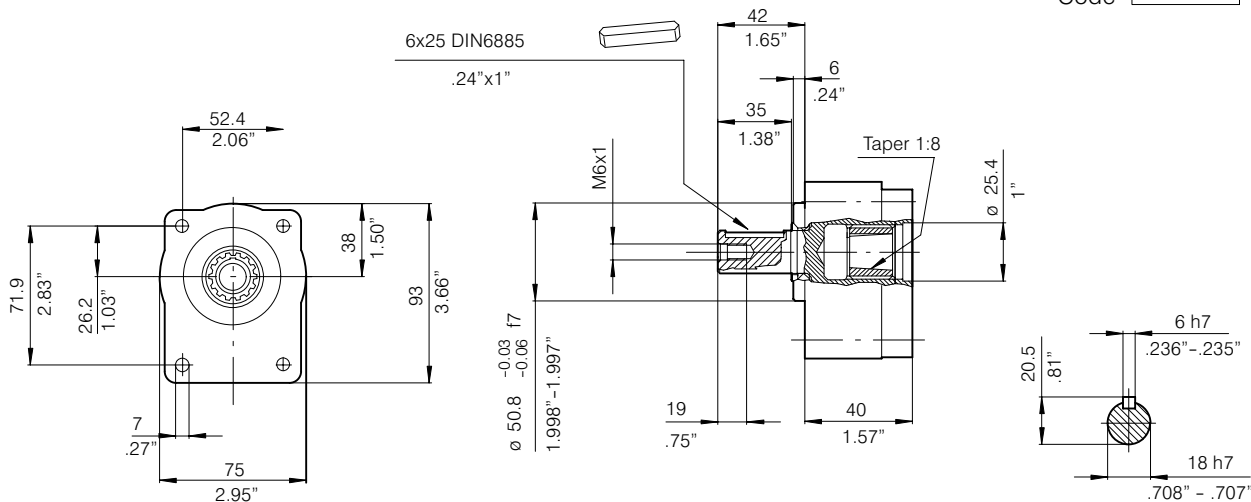
With  $F_r$  and  $F_a$  the max radial load is:  
 **$F_r \max = F_r - (0.7 F_a)$**

Code **TC10K8**

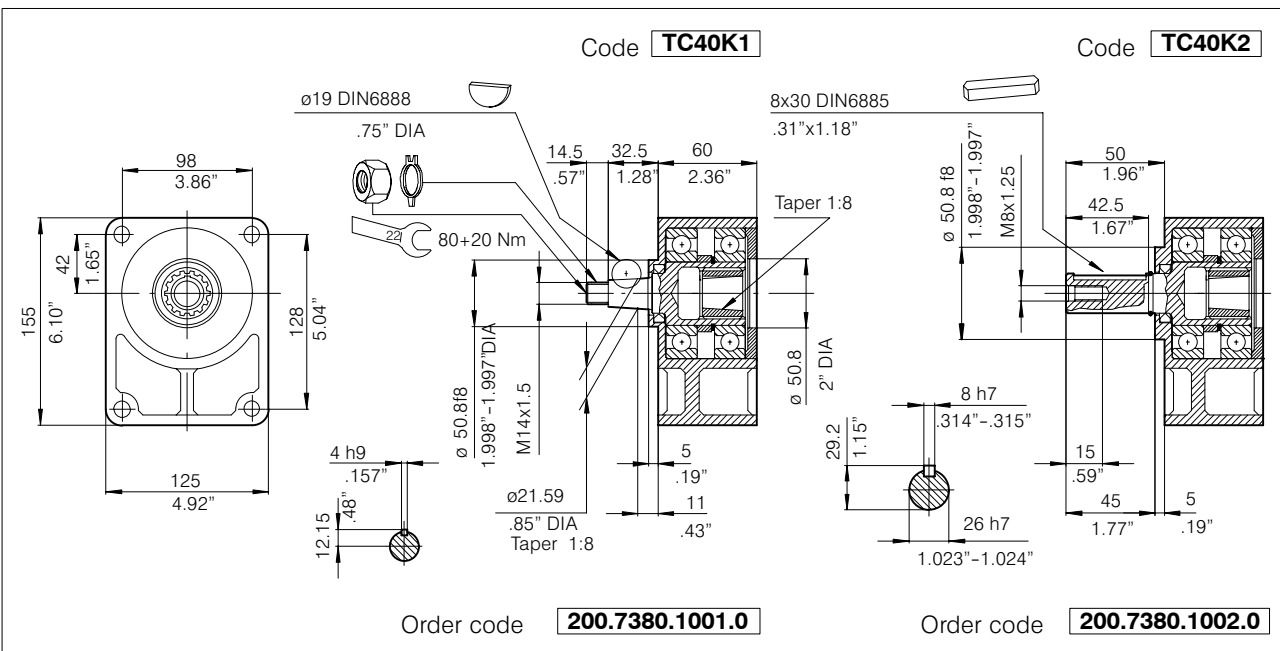
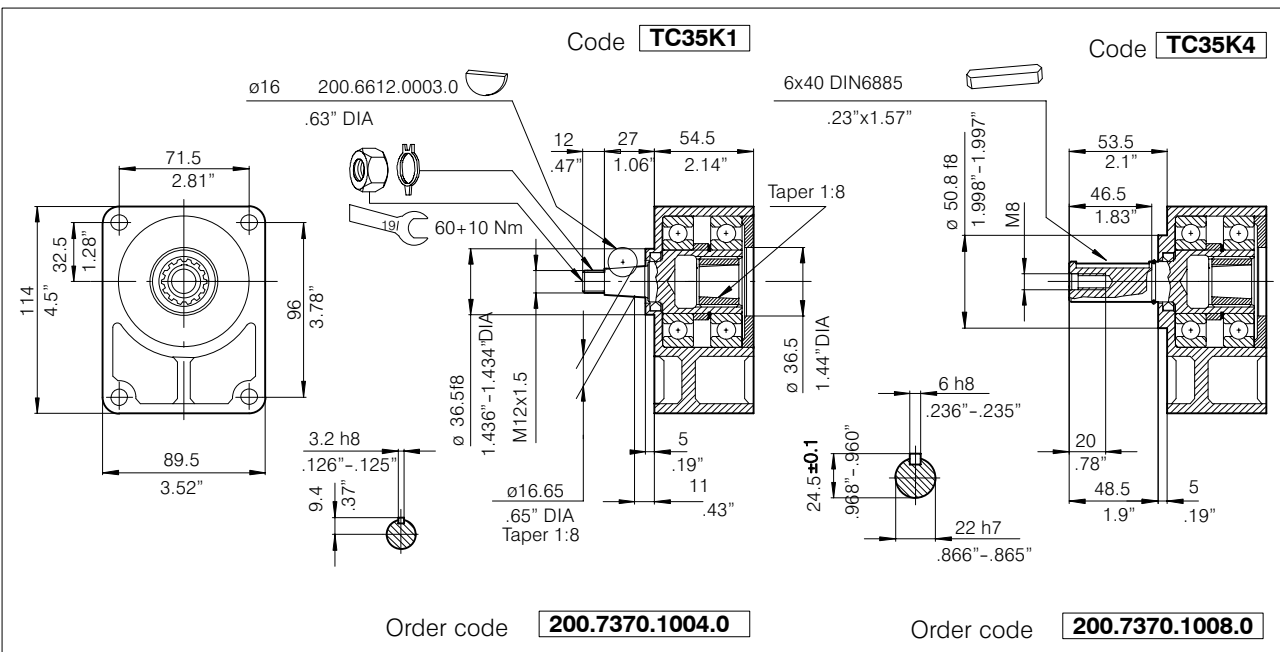
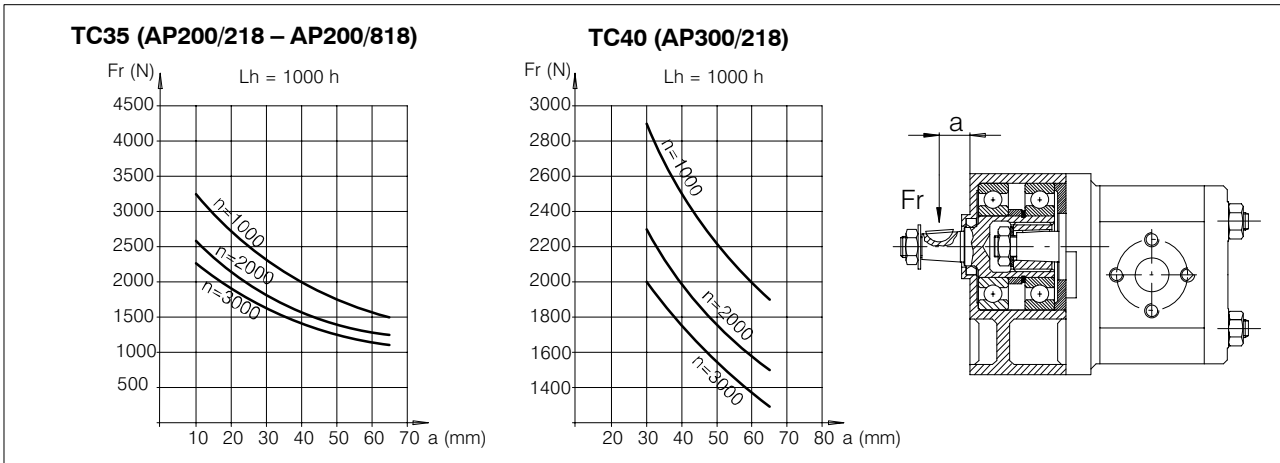


Order Code **200.6350.1014.0**

Code **TC10K0**



Order Code **200.6350.1013.0**



#### 7.4 Pumps seal kit NBR standard type

AP05	
Pump code	Seal kit
AP05/810	200.9740.0018.0
AP05/819	200.9740.0018.0
AP05/310	200.9740.0018.0
AP05/319	200.9740.0018.0
AP05/410	200.9740.0028.0
AP05/419	200.9740.0028.0
AP05/830	200.9740.0018.0
AP05/839	200.9740.0018.0
AP05/330	200.9740.0018.0
AP05/339	200.9740.0018.0
AP05/430	200.9740.0028.0
AP05/439	200.9740.0028.0
APR05/810	200.9740.0026.0

AP100	
Pump code	Seal kit
AP100/218	200.9740.0031.0
AP100/219	200.9740.0031.0
AP100/318	200.9740.0031.0
AP100/319	200.9740.0031.0
AP100/818	200.9740.0031.0
AP100/845	200.9740.0031.0
AP100/849	200.9740.0032.0
AP100/849P	200.9740.0033.0
AP100/449P	200.9740.0095.0
AP100/8S49P	200.9740.0096.0
AP100/880	200.9740.0034.0
AP100/887S	200.9740.0034.0
AP100/380	200.9740.0034.0
AP100/387S	200.9740.0034.0
AP100/887S NPTF	200.9740.0097.0
AP100/880 NPTF	200.9740.0097.0
AP100/2218	200.9740.0098.0
AP100/518	200.9740.0093.0

AP200	
Pump code	Seal kit
AP200/218	200.9740.0006.0
AP200/818	200.9740.0006.0
AP200/219A	200.9740.0006.0
AP200/279	200.9740.0099.0
AP200/201K8	200.9740.0075.0
AP200/201K0	200.9740.0074.0

AP200/225	200.9740.0006.0
AP200/227	200.9740.0006.0
AP200/235	200.9740.0006.0
AP200/245	200.9740.0006.0
AP200/237	200.9740.0100.0
AP200/247	200.9740.0113.0
AP200/259	200.9740.0008.0
AP200/225KM5	200.9740.0114.0
AP200/887S	200.9740.0006.0
AP200/880	200.9740.0006.0
AP200/887S NPTF	200.9740.0115.0
AP200/880 NPTF	200.9740.0115.0
AP200/287S-B	200.9740.0006.0
AP200/280B	200.9740.0006.0

AP200 AP200	
Pump code	Seal kit
AP200/2218	200.9740.0007.0
AP200/8818	200.9740.0116.0
AP200/2225	200.9740.0007.0
AP200/2227	200.9740.0007.0
AP200/2235	200.9740.0007.0
AP200/2245	200.9740.0007.0
AP200/2259	200.9740.0007.0
AP200/8887S	200.9740.0007.0
AP200/8880	200.9740.0007.0
AP200/2287S-B	200.9740.0007.0
AP200/2280-B	200.9740.0007.0
AP200/501	200.9740.0117.0
AP200/901	200.9740.0118.0
AP200/511	200.9740.0119.0

AP300	
Pump code	Seal kit
AP300/218	200.9740.0014.0
AP300/818	200.9740.0014.0
AP300/287S	200.9740.0017.0
AP300/280	200.9740.0017.0

AP300 AP200	
Pump code	Seal kit
AP300/2218	200.9740.0011.0

AP300 AP300	
Pump code	Seal kit
AP300/2218	200.9740.0015.0

Note: For the types of pumps with ordering code not listed, contact our Sales Department.

## 8 Composition of product code

### 8.1 Single pumps

Type	Rotation	Code	Examples	Order code
AP05/ **	*	****	AP05/075 D 819	200.1004.642.02
APR05/ **		****	APR05/05 810	200.1003.611.01
AP100/ **	*	****	AP100/4.3 S 218	200.1015.133.02
AP200/ **	*	****	AP200/11 D 287 S-B	200.1024.862.04
AP300/ **	*	****	AP300/45 S 280	200.1034.803.01

### 8.2 Single pumps with valves

Type	Rotation	Code	Valve	Examples	Order code
AP200/ **	*	****	****	AP200/15 D 218 18VME	200.1025.132.34
AP200/ **	*	****	****	AP200/11 S 227 06VP	200.1024.253.06
AP200/ **	*	****	****	AP200/19 S 218 08VRI	200.1026.133.18

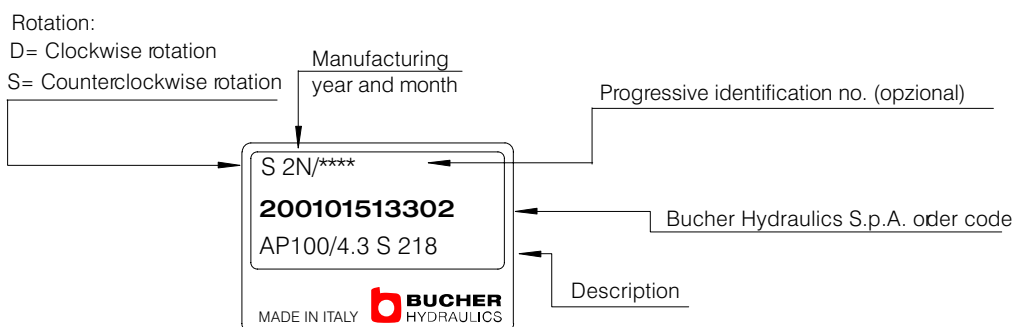
### 8.3 Single pumps with support

Type	Rotation	Code	Support	Examples	Order code
AP200/ **	*	****	****	AP200/8.5 D 201-K8	200.1023.132.01
AP200/ **	*	****	****	AP200/15 S 225 KM5	200.1025.223.02

### 8.4 Double pumps

Type 1 <sup>st</sup> pump	Tipo 2 <sup>nd</sup> pump	Rotation	Code	Examples	Order code
AP200/ **	AP200/ **	****	****	AP200/19-200/11 D 2225	200.1226.222.01
AP300/ **	AP200/ **	****	****	AP300/38-200/8.5 D 2218	200.1323.132.09
AP300/ **	AP300/ **	****	****	AP300/53-300/38 S 2218	200.1335.133.03

## 8.5 Product identification plate



## 8.6 Single pumps weight

Pump	Weight Kg	Pump	Weight Kg	Pump	Weight Kg	Pump	Weight Kg
AP05/0.25	0.45	AP100/1.2	0.90	AP200/4.5	1.93	AP300/27	8.2
AP05/0.5	0.45	AP100/1.7	0.95	AP200/6.5	1.94	AP300/31	8.4
AP05/0.75	0.45	AP100/2.5	1.03	AP200/8.5	1.95	AP300/38	8.6
AP05/0.9	0.48	AP100/3.5	1.07	AP200/11	2.33	AP300/45	8.8
AP05/1.2	0.50	AP100/4.3	1.12	AP200/15	2.34	AP300/53	9.0
AP05/1.6	0.50	AP100/5	1.18	AP200/19	2.65	AP300/63	9.2
		AP100/6.5	1.23	AP200/22	2.78	AP300/75	9.4
		AP100/8	1.28	AP200/26	2.82	AP300/93	9.6

N.B.: The weight refers to pumps with version code 810 (AP05) – 218 (AP100 – AP200 – AP300). Limited weight variations are possible for pumps having a different code.

Manufacturing month	Manufacturing year											
	1996	1997	1998	1999	2000	2001	2002	2003	2004	2005	2006	2007
January	6A	7A	8M	9M	0M	1M	2M	3M	4M	5M	6M	7M
February	6B	7B	8N	9N	0N	1N	2N	3N	4N	5N	6N	7N
March	6C	7C	8P	9P	0P	1P	2P	3P	4P	5P	6P	7P
April	6D	7D	8Q	9Q	0Q	1Q	2Q	3Q	4Q	5Q	6Q	7Q
May	6E	7E	8R	9R	0R	1R	2R	3R	4R	5R	6R	7R
June	6F	7F	8S	9S	0S	1S	2S	3S	4S	5S	6S	7S
July	6G	7G	8T	9T	0T	1T	2T	3T	4T	5T	6T	7T
August	6H	7H	8U	9U	0U	1U	2U	3U	4U	5U	6U	7U
September	6I	7I	8V	9V	0V	1V	2V	3V	4V	5V	6V	7V
October	6J	7J	8Z	9Z	0Z	1Z	2Z	3Z	4Z	5Z	6Z	7Z
November	6K	7K	8X	9X	0X	1X	2X	3X	4X	5X	6X	7X
December	6L	7L	8Y	9Y	0Y	1Y	2Y	3Y	4Y	5Y	6Y	7Y







Bucher Hydraulics pursues a policy of continuous research and development, therefore the company reserves the right to modify all those technical features which need changing, whenever necessary and without prior notice.

## BUCHER HYDRAULICS

[www.bucherhydraulics.com](http://www.bucherhydraulics.com)

### Germany

Phone +49 7742 85 20  
Fax +49 7742 71 16  
[info.de@bucherhydraulics.com](mailto:info.de@bucherhydraulics.com)

### France

Phone +33 389 64 22 44  
Fax +33 389 65 28 78  
[info.fr@bucherhydraulics.com](mailto:info.fr@bucherhydraulics.com)

### Netherlands

Phone +31 79 34 26 24 4  
Fax +31 79 34 26 28 8  
[info.nl@bucherhydraulics.com](mailto:info.nl@bucherhydraulics.com)

### UK

Phone +44 24 76 35 35 61  
Fax +44 24 76 35 35 72  
[info.uk@bucherhydraulics.com](mailto:info.uk@bucherhydraulics.com)

### USA

Phone +1 262 605 82 80  
Fax +1 262 605 82 78  
[info.wi@bucherhydraulics.com](mailto:info.wi@bucherhydraulics.com)

### Switzerland

Phone +41 33 67 26 11 1  
Fax +41 33 67 26 10 3  
[info.ch@bucherhydraulics.com](mailto:info.ch@bucherhydraulics.com)

### Italy

Phone +39 0522 92 84 11  
Fax +39 0522 51 32 11  
[info.it@bucherhydraulics.com](mailto:info.it@bucherhydraulics.com)

### Austria

Phone +43 6216 44 97  
Fax +43 6216 44 97 4  
[info.at@bucherhydraulics.com](mailto:info.at@bucherhydraulics.com)

### China

Phone +86 10 64 44 32 38  
Fax +86 10 64 44 32 35  
[info.bj@bucherhydraulics.com](mailto:info.bj@bucherhydraulics.com)

### Product Center (Elevator)

Phone +41 41 757 03 33  
Fax +41 41 755 16 49  
[info.nh@bucherhydraulics.com](mailto:info.nh@bucherhydraulics.com)

We reserve the right of modification without prior notice.