

MST

Maximum pressure 12 bar
Flow rates to 195 l/min



Technical data

Filter housing (Materials)

- Head: Aluminium
- Bypass valve: Nylon - Steel
- Element: Zinc-Plated Steel, Painted Steel

Pressure

- Working pressure: 12 bar (1,2 MPa)

Temperature

- From -20°C to +110°C

Bypass valve

- Opening pressure: 1,75 bar ±10%

Δp Elements type

- Δp: 5 bar
- Oil flow from OUT to IN.

Seals

- Standard NBR series A
- Optional FPM series V

MST FILTERS ARE PROVIDED FOR VERTICAL MOUNTING

Weights (kg)

- MST050 1,2
- MST070 1,4
- MST100 2,5
- MST150 2,7

Volumes (dm³)

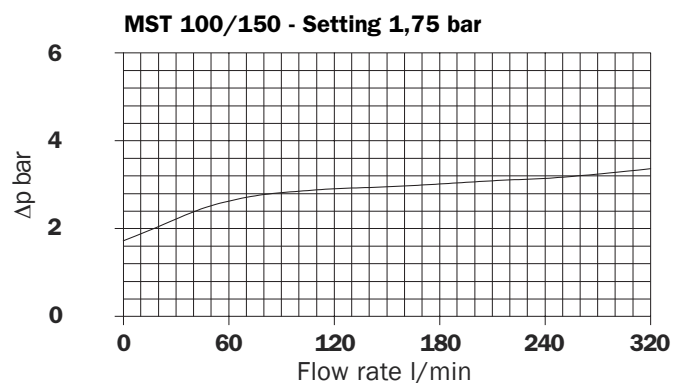
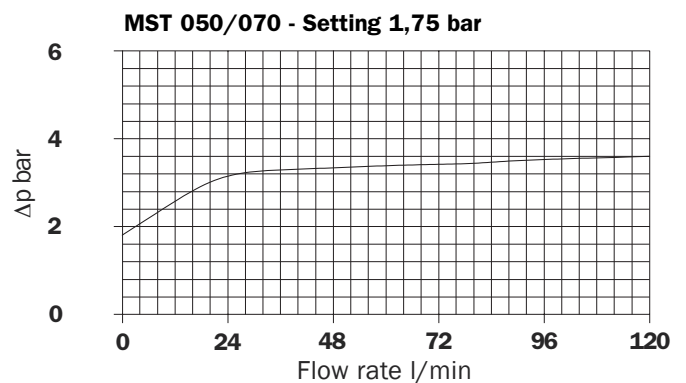
- MST050 0,8
- MST070 1,1
- MST100 1,7
- MST150 2,0

Filter housings Δp pressure drop

The curves are plotted utilising mineral oil with density of 0,86 kg/dm³ to ISO 3968.

Δp varies proportionally with density.

Valves: Bypass valve pressure drop



Filter sizing

In-Line/Return Filter

The following filter sizing recommendations are based using a mineral oil fluid at 30/46/68 mm²/s (cSt) with a maximum total filter assembly (housing and filter element) of **50 kPa (0,5 bar)**.

MST 050

	mm ² /s (cSt)		
	32	46	68
A03	50	40	31
A06	51	42	32
A10	62	54	45
A25	70	65	58
P10	64	58	49
P25	72	68	60
M25	80	78	75

Flow rate l/min

MST 070

	mm ² /s (cSt)		
	32	46	68
A03	53	44	34
A06	61	53	43
A10	64	57	48
A25	75	72	66
P10	71	66	59
P25	77	74	69
M25	80	78	77

Flow rate l/min

MST 100

	mm ² /s (cSt)		
	32	46	68
A03	83	63	45
A06	105	85	64
A10	128	107	84
A25	168	154	132
P10	160	142	119
P25	175	165	145
M25	190	180	170

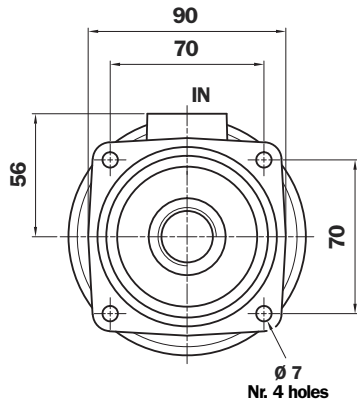
Flow rate l/min

MST 150

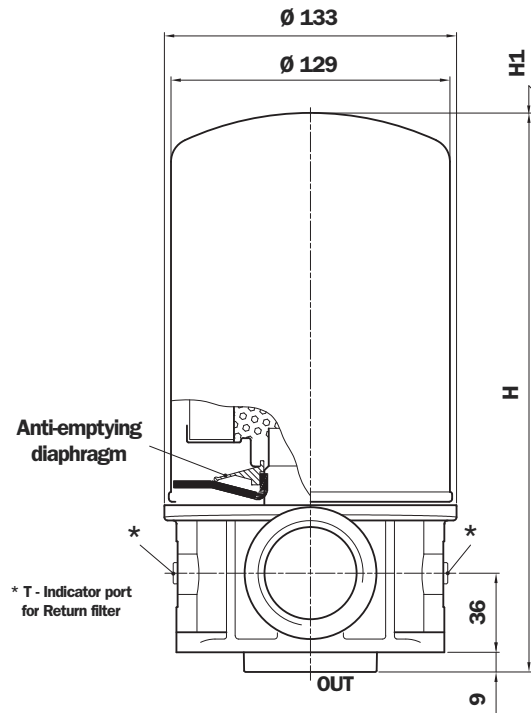
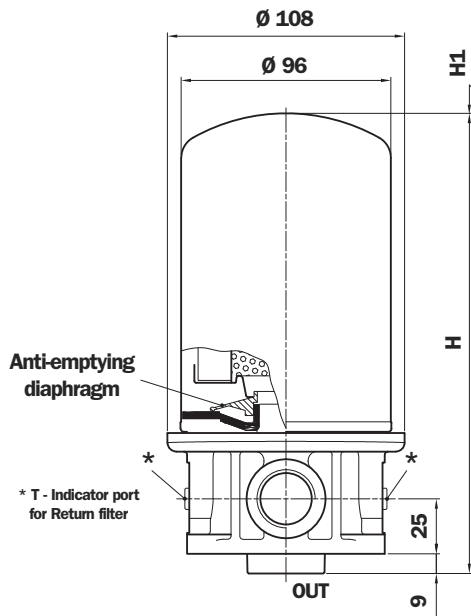
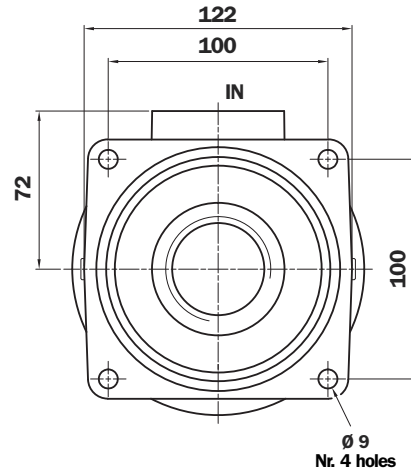
	mm ² /s (cSt)		
	32	46	68
A03	120	100	75
A06	128	110	84
A10	144	126	100
A25	174	164	145
P10	164	149	125
P25	182	172	160
M25	195	190	180

Flow rate l/min

MST 050 - 070



MST 100 - 150



MST 050 - 070 - 100 - 150

Filter Length	H mm	H1 mm
050	210	40
070	274	40
100	260	50
150	309	50

MST 050/070 - Thread connections

Type	Size	T
G1	G 3/4"	G 1/8"
G2	3/4" NPT	1/8" NPT
G3	SAE 12 - 1 1/16" - 12 UN	1/8" NPT

MST 100/150 - Thread connections

Type	Size	T
G1	G 1 1/2"	G 1/8"
G2	1 1/2" NPT	1/8" NPT
G3	SAE 24 - 1 7/8" - 12 UN	1/8" NPT

Ordering information MST

Filter assembly MST

	2	3	4	5	6	7
Example 1: MST	050	A	G3	P25	B	P01
Example 2: MST	150	A	G1	M60	B	P01

Filter element CT

	1	2	5	3	6	7
Example 1:	CT	050	P25	A	B	P01
Example 2:	CT	150	M60	A	B	P01

1 - Filter element

CT Filter element European std.

2 - Style

050
070
100
150

3 - Filter seals

A NBR

4 - Connections

Threaded

MST

050 - 070

Type	Size
G1	G 3/4"
G2	3/4" NPT
G3	SAE 12 - 1 1/16" - 12 UN

MST

100 - 150

Type	Size
G1	G 1 1/2"
G2	1 1/2" NPT
G3	SAE 24 - 1 7/8" - 12 UN

5 - Filter element

A03	Inorganic microfibre	3 µm	Absolute filtration Inorganic Microfibre βx (c) ≥ 1000
A06	Inorganic microfibre	6 µm	
A10	Inorganic microfibre	10 µm	
A25	Inorganic microfibre	25 µm	
M25	Wire mesh	25 µm	Nominal Filtration
M60	Wire mesh	60 µm	
M90	Wire mesh	90 µm	
P10	Resin - Impregnated paper		Nominal Filtration
P25	Resin - Impregnated paper		

6 - Valves

B With bypass 1,75 bar ±10%

7 - Option

P01 MP Filtri standard

For Clogging Indicator:
See page 324

MP Filtri - The filter functions as described in this bulletin are valid exclusively for original MP Filtri filter elements and replacement parts. All rights reserved.

The data in this publication are purely guideline. MP Filtri reserves the right to make changes to the models described herein at any time it deems fit in relation to technical or commercial requirements. The colours of the products shown on the cover are purely guideline. Copyright. All rights reserved.