

SF2 250 - 350

Flow rates to 160 l/min



Technical data

Filter housing (Materials)

- Filter body: Aluminium
- Cover: Nylon
- Valve: Nylon - Steel
- Anti-Emptying valve: Steel

Temperature

- From -25 °C to +110 °C

Bypass valve

- Opening pressure 30 kPa ±10%

Elements

- Fluid flow through the filter element from IN to OUT.

Seals

- Standard NBR series A
- Optional FPM series V

SF2 250-350 FILTERS MOUNTING SEE ON TOP DRAWING

Weights (kg)

- SF2 250 2,6
- SF2 350 2,6

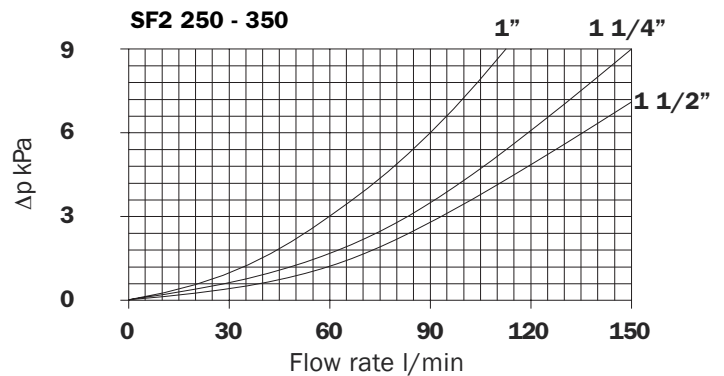
Recommended maximum flow rate

- Pressure drop of filter assembly equal to Δp 8 kPa.
- Oil kinematic viscosity 30 mm²/s (cSt).
- Density 0,86 kg/dm³.

Filter housings Δp pressure drop

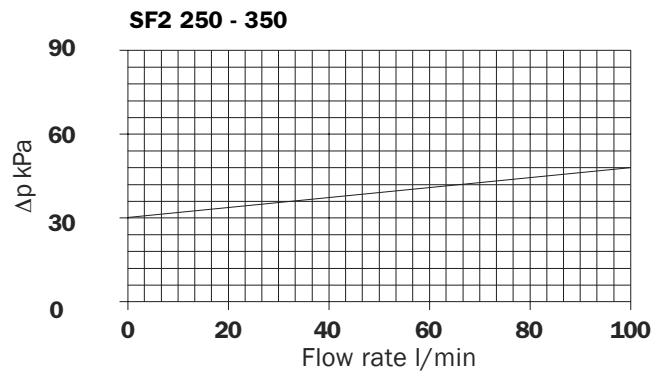
The curves are plotted utilising mineral oil with density of 0,86 kg/dm³ to ISO 3968.

Δp varies proportionally with density.



Valves

Bypass valve pressure drop

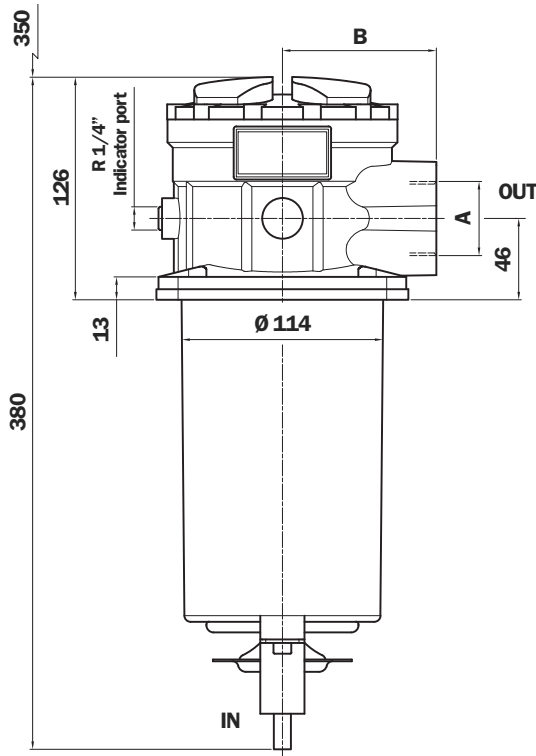


	Filtration		
	P10	P25	M25-M60-M90-250
SF2 250	70	90	100
Option 1"	Flow rate l/min		

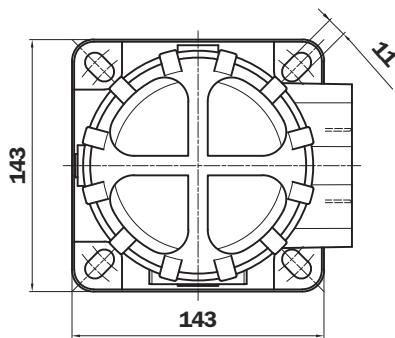
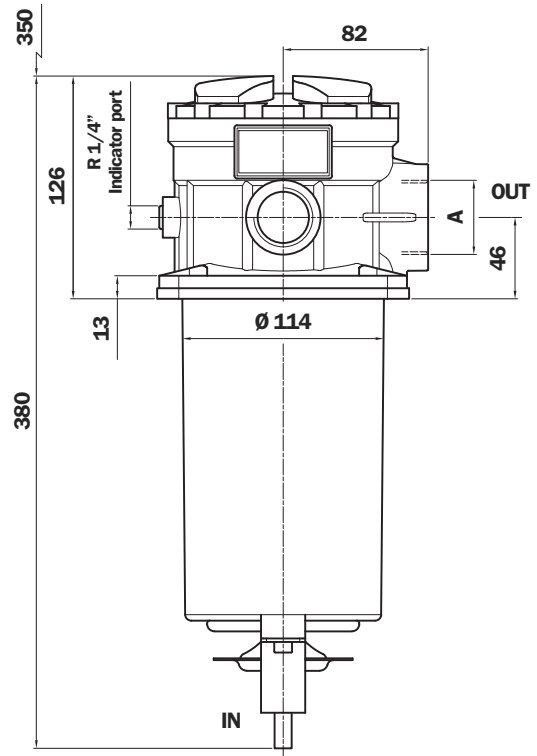
	Filtration				
	P10	P25	M25	M60	M90-250
SF2 250	80	115	130	135	140
Option 1 1/4"	Flow rate l/min				

	Filtration				
	P10	P25	M25	M60	M90-250
SF2 250	85	125	145	150	160
Option 1 1/2"	Flow rate l/min				

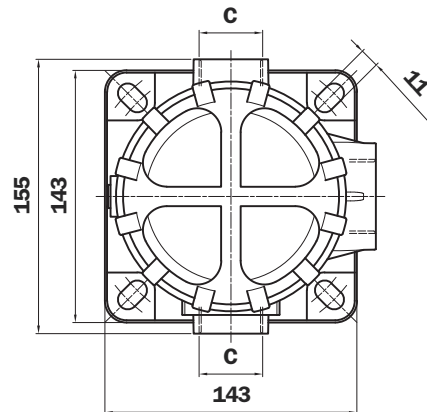
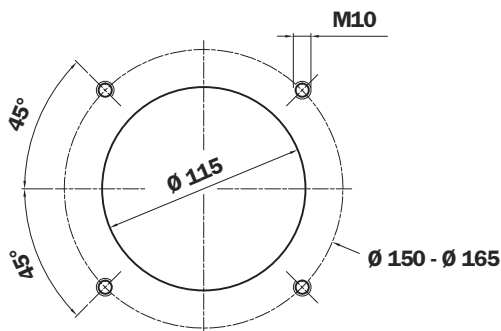
SF2 250



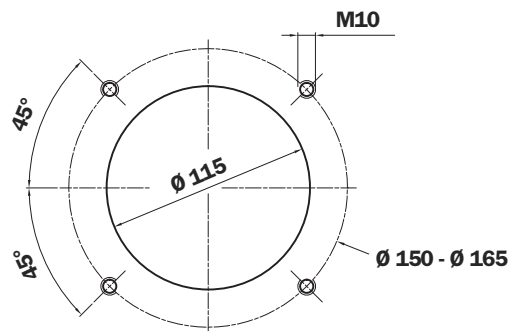
SF2 350



Holes on the tank



Holes on the tank



SF2 250 - Thread connections

Type	A	B
G1	G 1 1/2"	82
G2	1 1/2" NPT	82
G3	SAE 24 - 1 7/8" - 12 UN	82
G4	G 1 1/4"	82
G5	1 1/4" NPT	82
G6	SAE 20 - 1 5/8" - 12 UN	82
G7	G 1"	82
G8	1" NPT	82
G9	SAE 16 - 1 5/16" - 12 UN	82

SF2 250 - Flange connections *

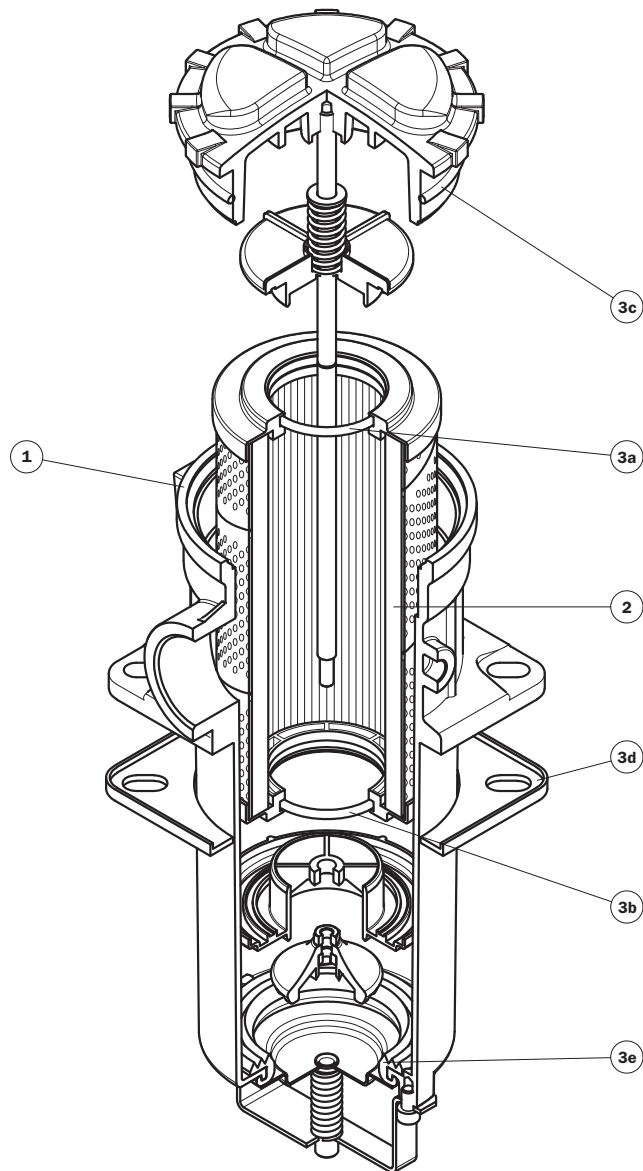
Type	A
F1	1 1/2" SAE 3000 psi/M
F2	1 1/2" SAE 3000 psi/UNC

*Connections table "SAE flange" see page 9

SF2 350 - Thread connections

Type	A	C
G1	G 1 1/2"	G 1"
G3	SAE 24 - 1 7/8" - 12 UN	SAE 16 - 1 5/16" - 12 UN

Spare parts



Item	Description	Q.ty	FILTER Series SF2 250 - 350	
1	Filter assembly	1	See order table	
2	Filter element	1	See order table	
3	Seal Kit	1	NBR 02050586	FPM 02050587
3a	Filter element top seal	1	O-R Metric Ø 50 x 4	
3b	Filter element bottom seal	1	O-R Metric Ø 50 x 4	
3c	Cover seal	1	O-R Metric Ø 113 x 4	
3d	Head seal	1	01026636	01026367
3e	Valve seal	1	01026209	01026210

Ordering information SF2 250 - 350

Filter assembly SF2

1	2	3	4	5	7
<input type="text"/>	<input type="text"/>	<input type="text"/>	<input type="text"/>	<input type="text"/>	<input type="text"/>

Example: SF2 **350** **A** **G1** **H** **M25** **P01**

Filter element SF

1	5	6	7
<input type="text"/>	<input type="text"/>	<input type="text"/>	<input type="text"/>

Example: SF **250** **M25** **N** **P01**

1 - Style

Filter	Filter element
250	250
350	250

2 - Filter seals & Treatment

A	NBR
V	FPM
W	NBR, Filter body anodized. Filter element compatible with fluid HFA, HFB, HFC (only for filter element type Mxx)
Z	FPM, Filter body anodized. Filter element compatible with fluid HFA, HFB, HFC (only for filter element type Mxx)

3 - Connections

Threaded SF2 250

Type	A
G1	G 1 1/2"
G2	1 1/2" NPT
G3	SAE 24 - 1 7/8" - 12 UN
G4	G 1 1/4"
G5	1 1/4" NPT
G6	SAE 20 - 1 5/8" - 12 UN
G7	G 1"
G8	1" NPT
G9	SAE 16 - 1 5/16" - 12 UN

Flanged

Type	A
F1	1 1/2" SAE 3000 psi/M
F2	1 1/2" SAE 3000 psi/UNC

Flanged

SF2 350

Type	A	C
G1	G 1 1/2"	G 1"
G3	SAE 24 - 1 7/8" - 12 UN	SAE 16 - 1 5/16" - 12 UN

4 - Bypass - Magnet

H	Without bypass - without magnet
R	With bypass - with magnet
S	With bypass - without magnet
Q	Without bypass - with magnet

5 - Filter element

M25	Wire mesh 25 µm	Nominal Filtration
M60	Wire mesh 60 µm	
M90	Wire mesh 90 µm	
M250	Wire mesh 250 µm	
P10	Resin - Impregnated paper	Nominal Filtration
P25	Resin - Impregnated paper	

6 - Filter element seals

N	NBR
V	FPM
W*	NBR (only for filter element type wire mesh)
Z*	FPM (only for filter element type wire mesh)

7 - Option

P01	MP Filtri standard
------------	--------------------

*** Compatible with fluid HFA, HFB, HFC:
P10 - P25 not compatible with HFA, HFB, HFC**

**For Clogging Indicator:
See page 324**

MP Filtri - The filter functions as described in this bulletin are valid exclusively for original MP Filtri filter elements and replacement parts. All rights reserved.

The data in this publication are purely guideline. MP Filtri reserves the right to make changes to the models described herein at any time it deems fit in relation to technical or commercial requirements. The colours of the products shown on the cover are purely guideline. Copyright. All rights reserved.