

LMP 950 - 951

Maximum pressure 30 bar
Flow rates to 2400 l/min



Technical data

Filter housing (Materials)

- Head: Anodized Aluminium
- Housing: Anodized Aluminium
- Bypass valve: Anodized Aluminium

Pressure

- Working pressure: 30 bar (3 MPa)
- Test pressure: 45 bar (4,5 MPa)
- Burst pressure: 120 bar (12 MPa)
- Pulse pressure fatigue test: 1.000.000 cycles with pressure from 0 to 30 bar (3 MPa)

Temperature

- From -25 °C to +110 °C

Bypass valve

- Opening pressure 3,5 bar \pm 10%
- Other opening pressures on request.

Δp Elements type

- Microfibre filter elements series N: 20 bar
- Fluid flow through the filter element from OUT to IN.

Seals

- Standard NBR series A
- Optional FPM series V

LMP 950-951 FILTERS ARE PROVIDED FOR VERTICAL MOUNTING

Weights (kg)

Length	2	3
• LMP950	25,1	33,5

Volumes (dm³)

Length	2	3
• LMP950	15	28

Connections

- LMP 950: In-line Inlet/Outlet
- LMP 951: 90° Inlet/Outlet

Recommended maximum flow rate

- Pressure drop of filter assembly equal to Δp 0,6 bar.
- Oil kinematic viscosity 30 mm²/s (cSt).
- Density 0,86 kg/dm³.

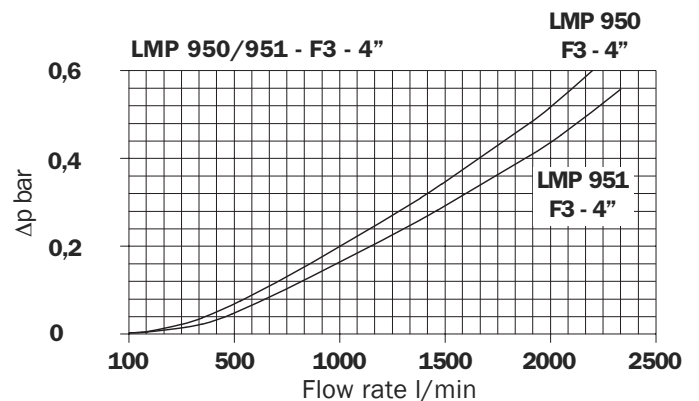
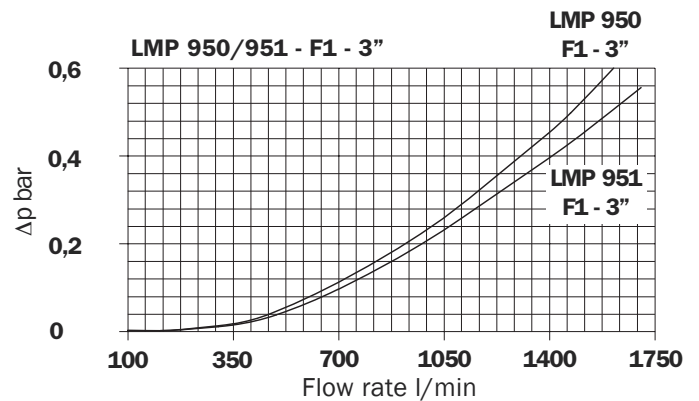
	Leng.	Filtration					
		A03	A06	A10	A16	A25	M25
LMP 950	2	550	650	800	1000	1200	1700
Connection: Flange SAE 3000 3"	3	950	1000	1200	1350	1400	1700
LMP 951	2	550	700	850	1100	1400	2300
Connection: Flange SAE 3000 4"	3	1000	1100	1400	1600	1800	2400

Flow rate l/min

Filter housings Δp pressure drop

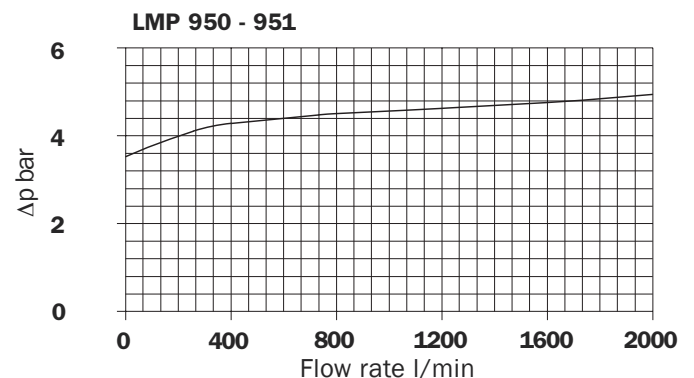
The curves are plotted utilising mineral oil with density of 0,86 kg/dm³ to ISO 3968.

Δp varies proportionally with density.



Valves

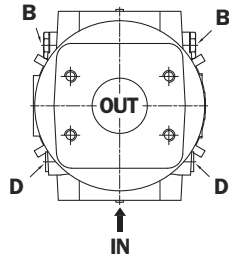
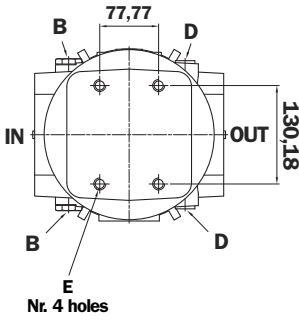
Bypass valve pressure drop



LMP 950

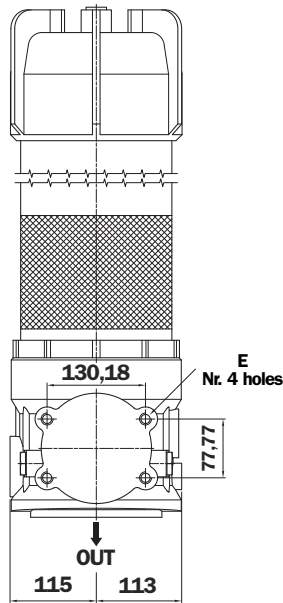
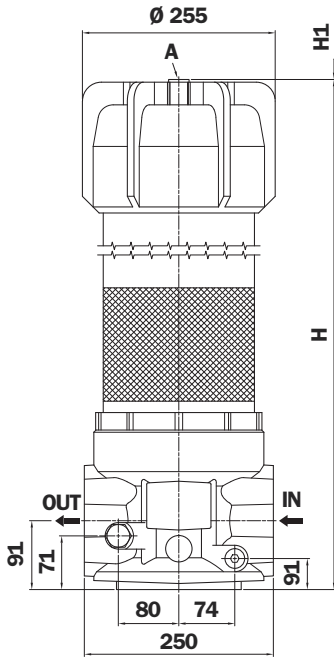
LMP 951

Option P02 for LMP 950 - 951



Option P02 "Internal tube for reduced flow rate" recommended for flow rate values below 100/150 l/min. The use of option P02 makes it easier to fill the housing with the operating fluid.

P02 "Internal tube for reduced flow rates"



LMP 950 - 951

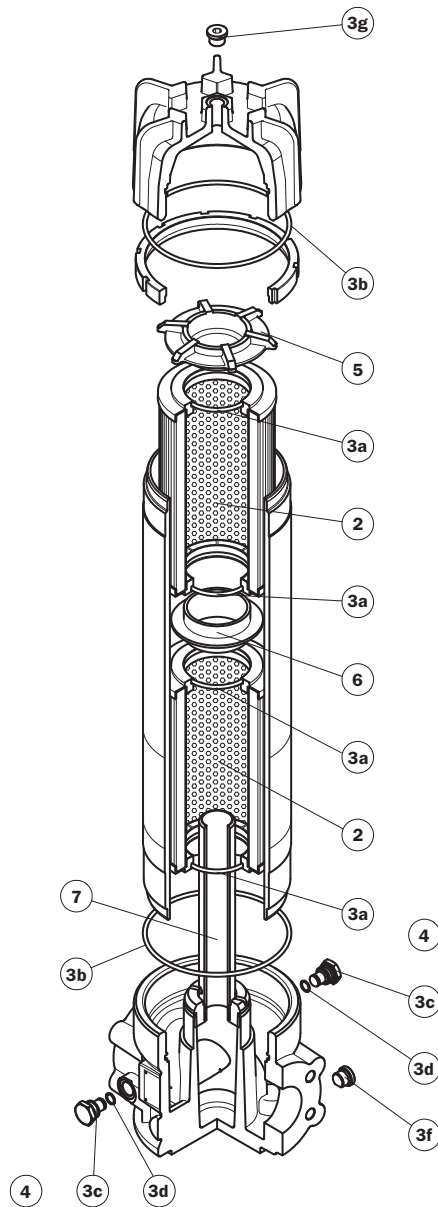
Filter Length	H mm	H1 mm
2	680	350
3	1230	900

Flange IN - OUT connections

Type	Size	E Depth 25 mm
F1	3" SAE 3000 psi/M	M16
F2	3" SAE 3000 psi/UNC	M16
F3	4" SAE 3000 psi/M	5/8" UNC
F4	4" SAE 3000 psi/UNC	5/8" UNC

A	Breather plug G 1/2" - A/F 10
B	Indicator port Plug T2 - A/F 30
D	Oil drain plug G 1/2" - A/F 10

Spare parts



Item	Description	Q.ty	FILTER Series LMP 950 - 951	
1	Filter assembly	1	See order table	
2	Filter element	2	See order table	
3	Seal Kit	1	NBR 02050367	FPM 02050368
3a	Filter element O-Ring	4	O-R 4412 Ø 104,37 x 3,53	
3b	O-Ring for housing	2	O-R 6745 Ø 189,86 x 5,34	
3c	Seal	2	01030058 (HNBR)	01030046 (FPM)
3d	O-Ring for indicator	2	O-R 2050 Ø 12,42 x 1,78	
3f	Drain plug	2	G 1/2" with seal	
3g	Breather plug	1	01029444	
4	Indicator connection plug	2	T2H	T2V
5	Housing spigot	1	Spigot without By-pass 01044106 Spigot with By-pass 02001379	
6	Coupling spigot	1	01044099	
7	Tube assembly	1	For length 2: 02025032 For length 3: 02025033	

Ordering information LMP 950 - 951

Filter assembly LMP

	1	2	3	4	5	6	7	8a
	<input type="checkbox"/>	<input type="checkbox"/>	<input type="checkbox"/>	<input type="checkbox"/>	<input type="checkbox"/>	<input type="checkbox"/>	<input type="checkbox"/>	<input type="checkbox"/>
Example: LMP	950	2	B	A	F1	A10	N	P01

Filter element CU

	1	2	6	4	7	8b
	<input type="checkbox"/>	<input type="checkbox"/>	<input type="checkbox"/>	<input type="checkbox"/>	<input type="checkbox"/>	<input type="checkbox"/>
Example: CU	950	2	A10	A	N	P01

1 - Style

Filter

950
 951

Filter element

950 In-Line IN-OUT
 950 90° IN-OUT

2 - Filter length

950
 951

2 **3**
 2 **3**

3 - Valves

S Without bypass
 B With bypass

4 - Filter seals

A NBR
 V FPM

5 - Connections

Flange

LMP 950 - 951

Type	Size
F1	3" SAE 3000 psi/M
F2	3" SAE 3000 psi/UNC
F3	4" SAE 3000 psi/M
F4	4" SAE 3000 psi/UNC

6 - Filter element

<input type="checkbox"/> A03	Inorganic microfibre 3 µm	} Absolute filtration Inorganic Microfibre βx (c) ≥ 1000
<input type="checkbox"/> A06	Inorganic microfibre 6 µm	
<input type="checkbox"/> A10	Inorganic microfibre 10 µm	
<input type="checkbox"/> A16	Inorganic microfibre 16 µm	
<input type="checkbox"/> A25	Inorganic microfibre 25 µm	
<input type="checkbox"/> M25	Wire mesh 25 µm	} Nominal Filtration
<input type="checkbox"/> M60	Wire mesh 60 µm	
<input type="checkbox"/> M90	Wire mesh 90 µm	

7 - Max filter element differential pressure

N Δp 20 bar

8 - Option

a - Filter

P01 MP Filtri standard
 P02 With internal tube for reduced flow rate
 Pxx Customer request

b - Filter element

P01 MP Filtri standard
 Pxx Customer request

For Clogging Indicator:
See page 324

MP Filtri - The filter functions as described in this bulletin are valid exclusively for original MP Filtri filter elements and replacement parts. All rights reserved.

The data in this publication are purely guideline. MP Filtri reserves the right to make changes to the models described herein at any time it deems fit in relation to technical or commercial requirements. The colours of the products shown on the cover are purely guideline. Copyright. All rights reserved.