

Hand pumps

PMD 12-25 byB

Tech sheet

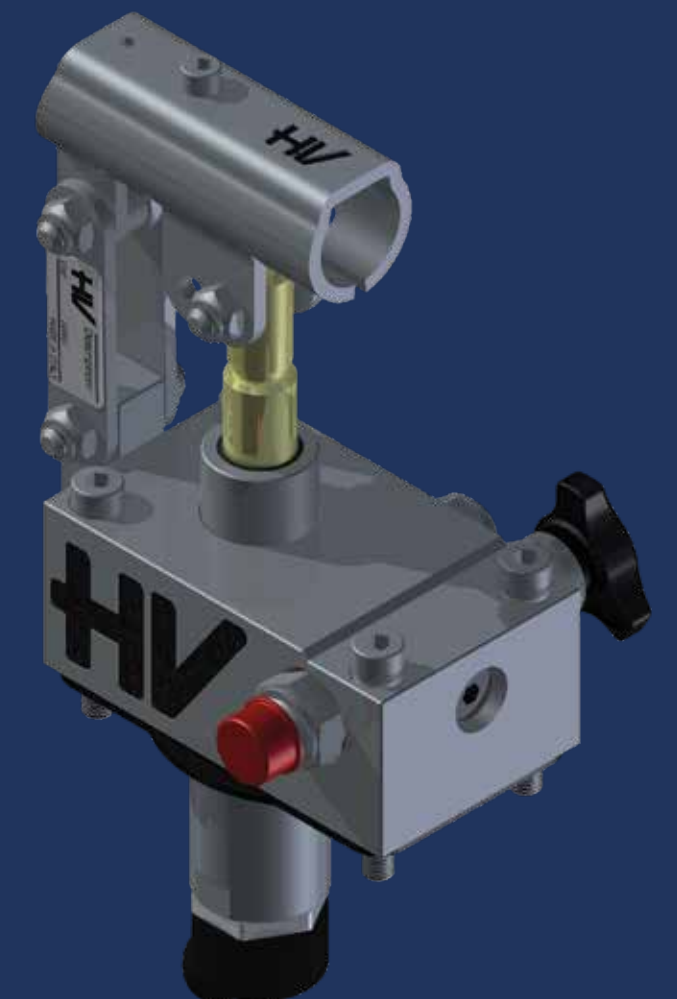
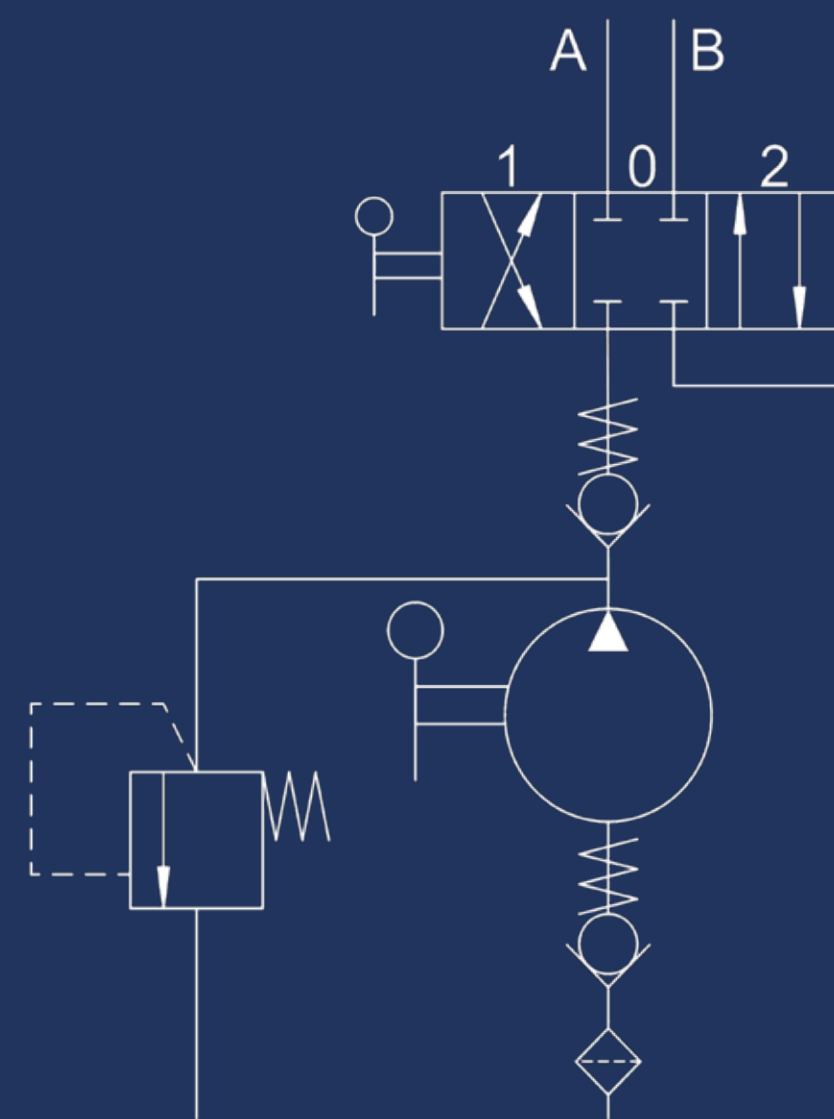
DETAILS

with 4/3 flow divider closed centre
with pressure relief valve
double acting hand pump for a double acting cylinder
for fixing to tank

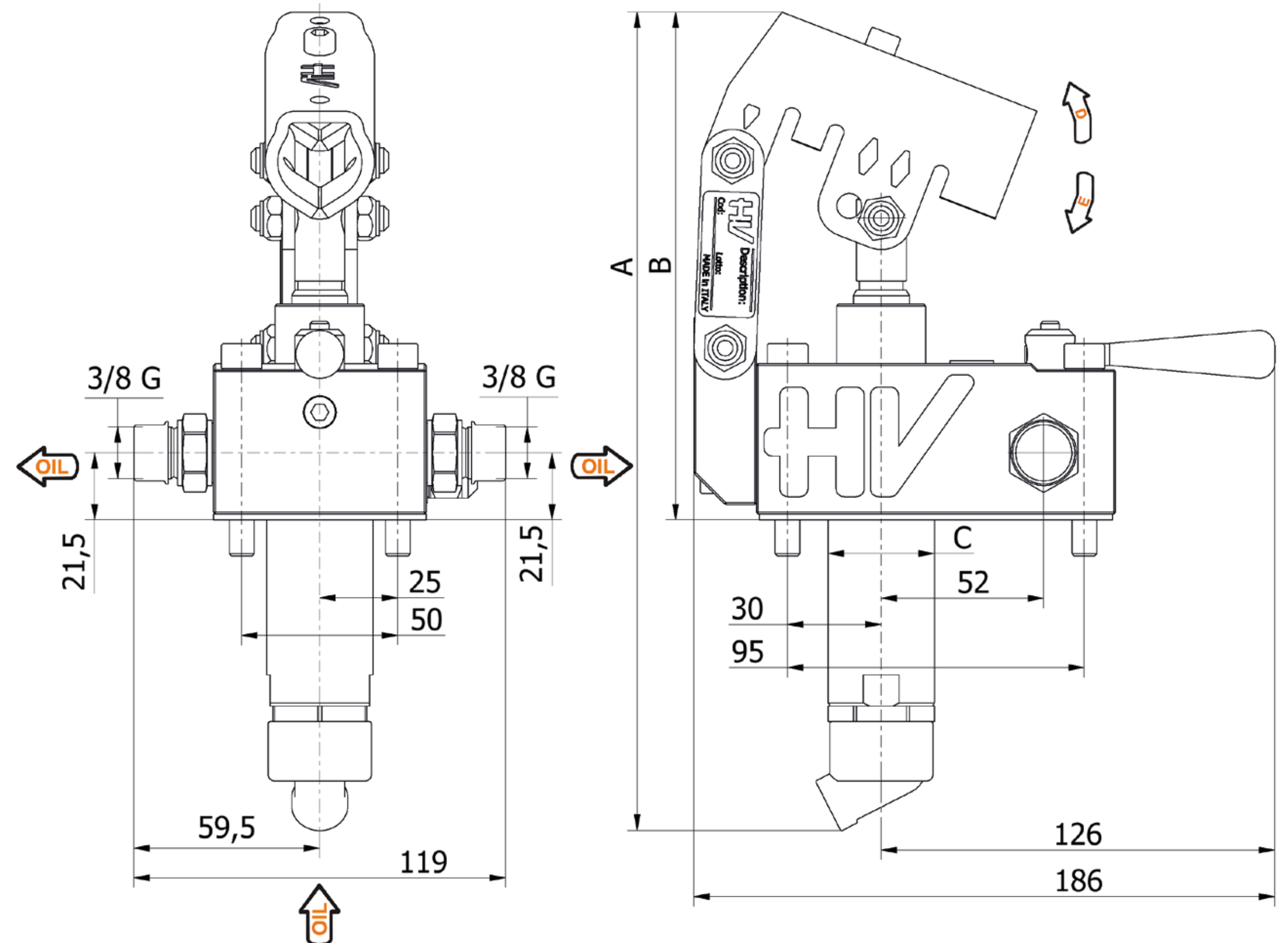
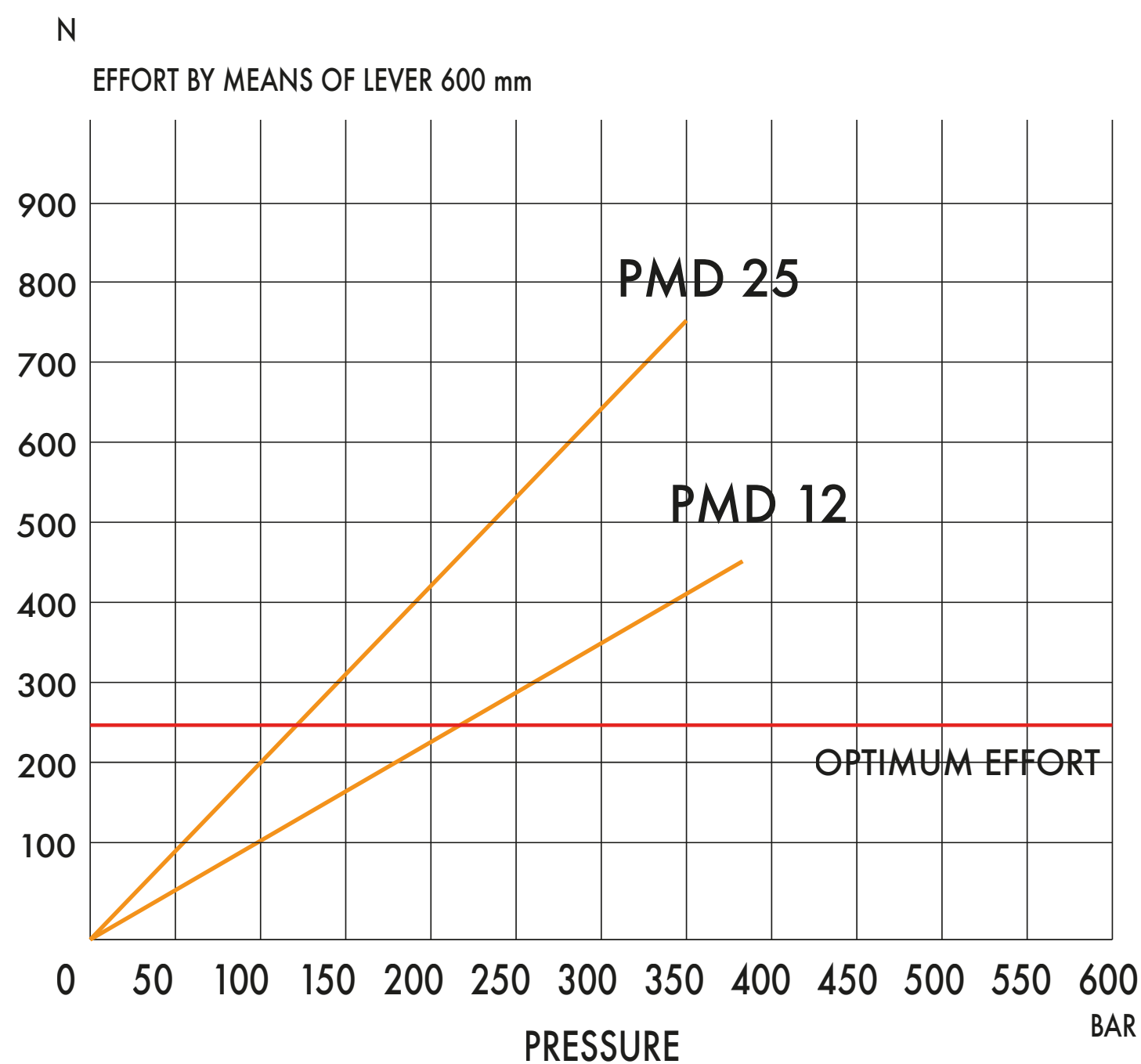
SPECIFICATIONS

White zinc plated pump body
Piston protection with Niploy
White zinc plated support lever
Lever connection \varnothing 27
White zinc plated external parts
Oil tank mounting kit including
Pressure relief valve standard
setting: 100 bar
Triple sealing system made to prevent
any oil leakage and sweating onto the piston rod

HYDRAULIC DIAGRAM



EFFORT DIAGRAM



DISPLACEMENT cm ³	A mm	B mm	C mm	D °	E °	ACTUAL DISPLACEMENT cm ³	PRESSURE BAR		MASS KG	CODE
							OPTIMAL	MAX		
12	253	166	34	26	31	12,095	220	380	4,200	6055.5000
25	273	172	34	30	30	25,280	120	350	4,200	6056.5000



HV Hydraulic s.r.l. | Take YOU to another WORLD

Head Office
Via dell'Agricoltura, 162 Loc. Castello di Serravalle
40053 VALSAMOGGIA (BO) Italy

Warehouse
Via del Lavoro, 111 e 135 Loc. Castello di Serravalle
40053 VALSAMOGGIA (BO) Italy