

Hand pumps

PMD 12-25 byB-AISI-316

Tech sheet

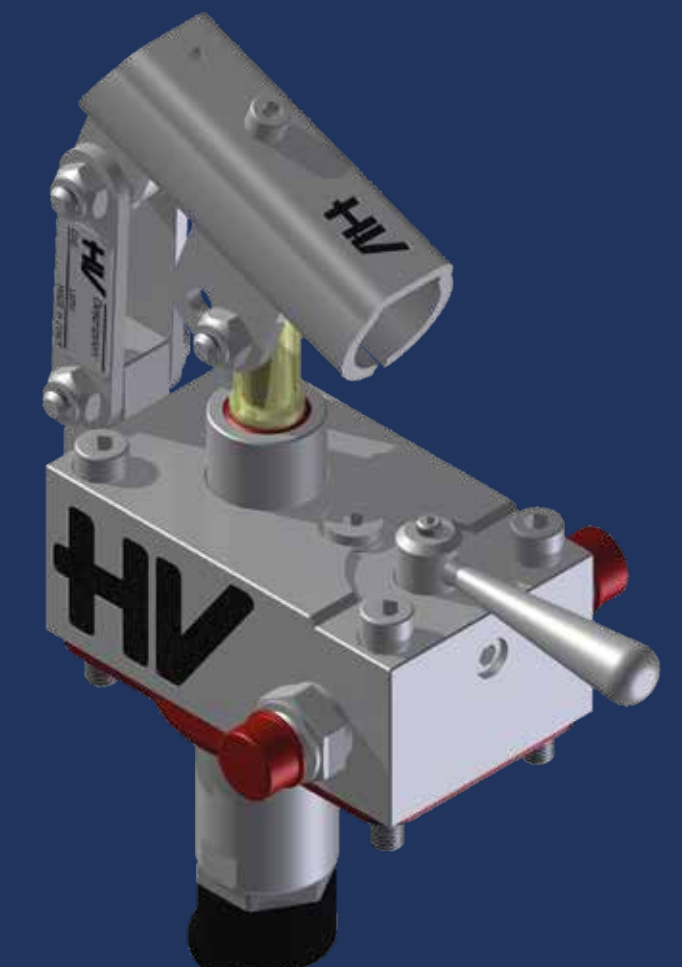
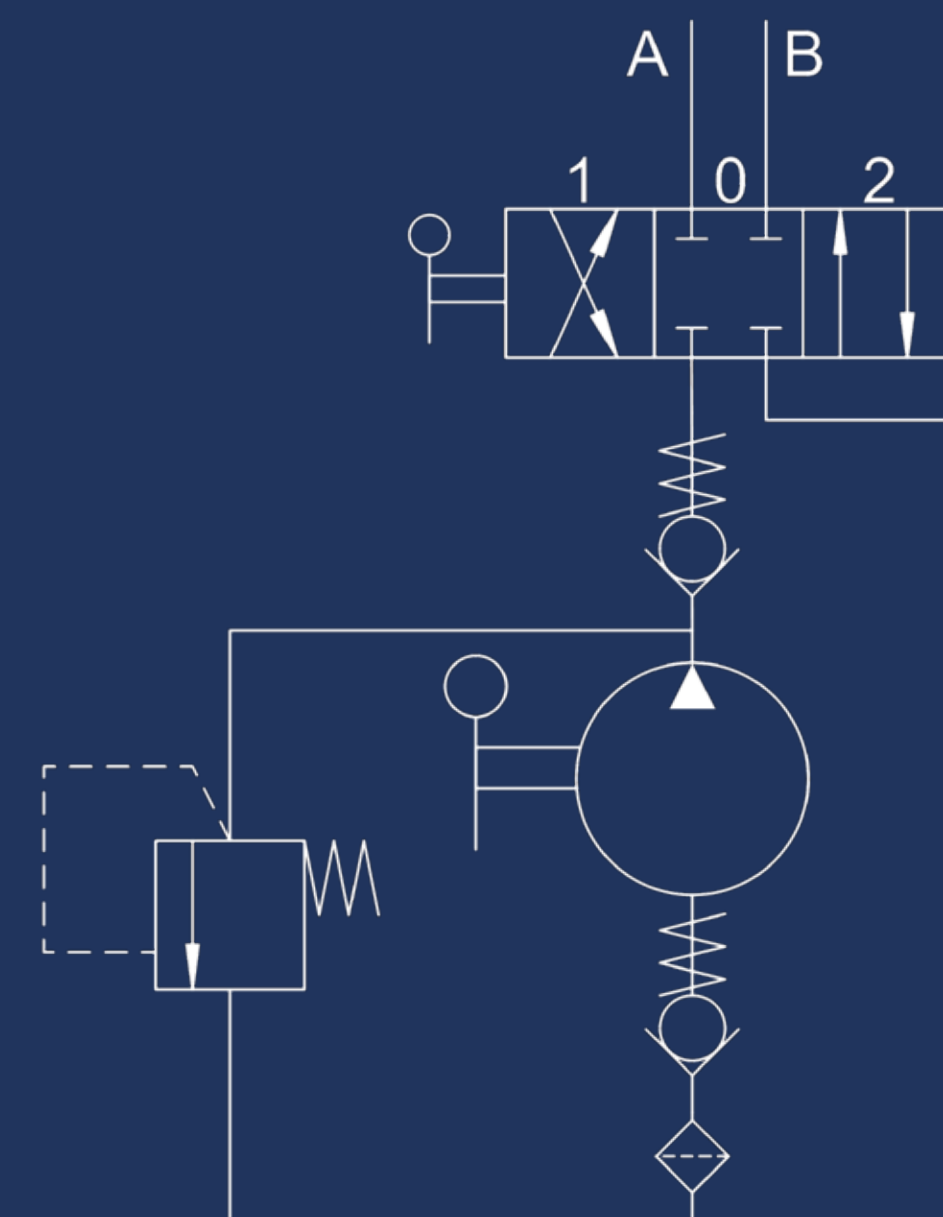
DETAILS

with 4/3 flow divider closed centre
with pressure relief valve
double acting hand pump for a double acting cylinder
for fixing to tank

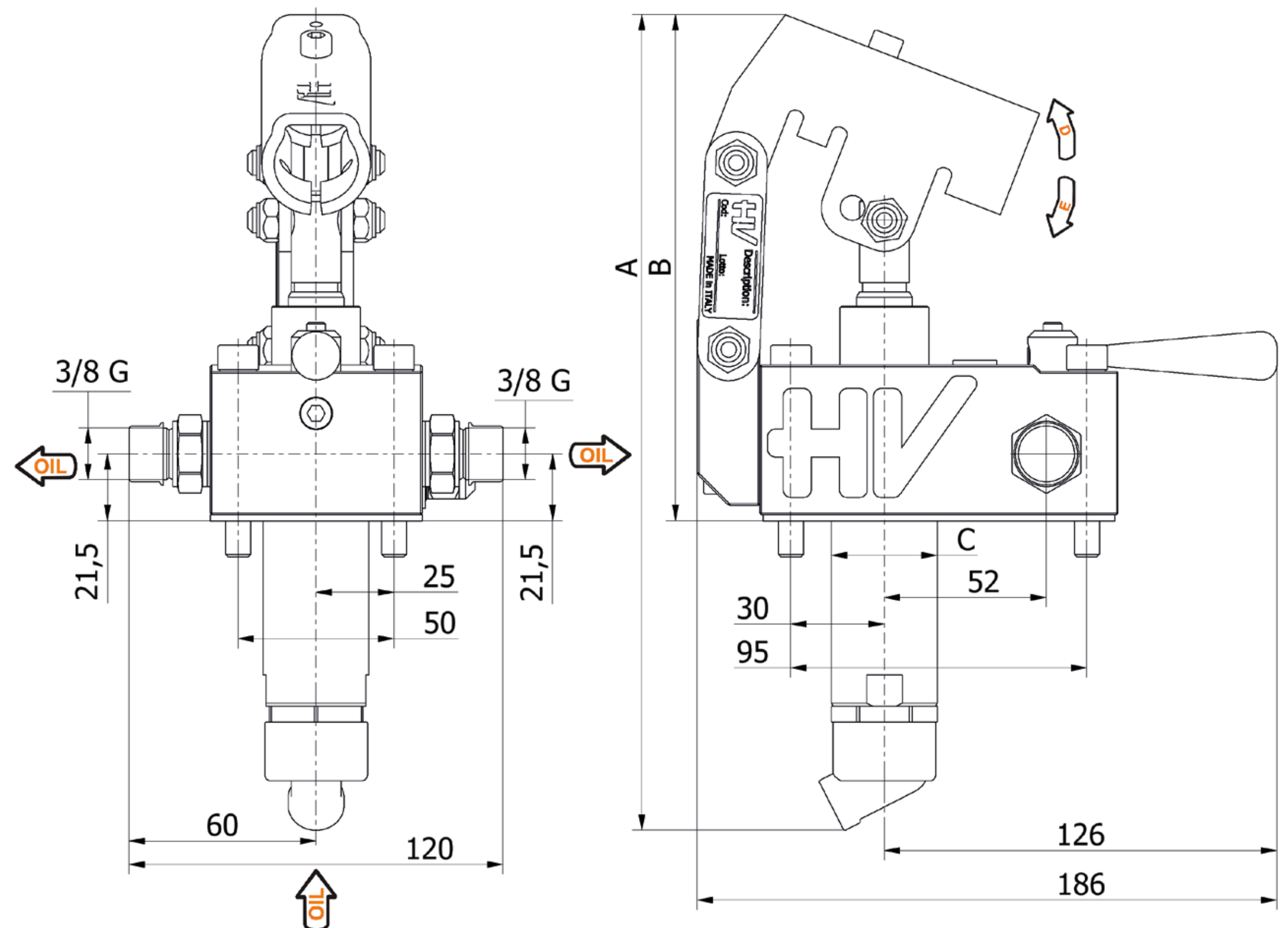
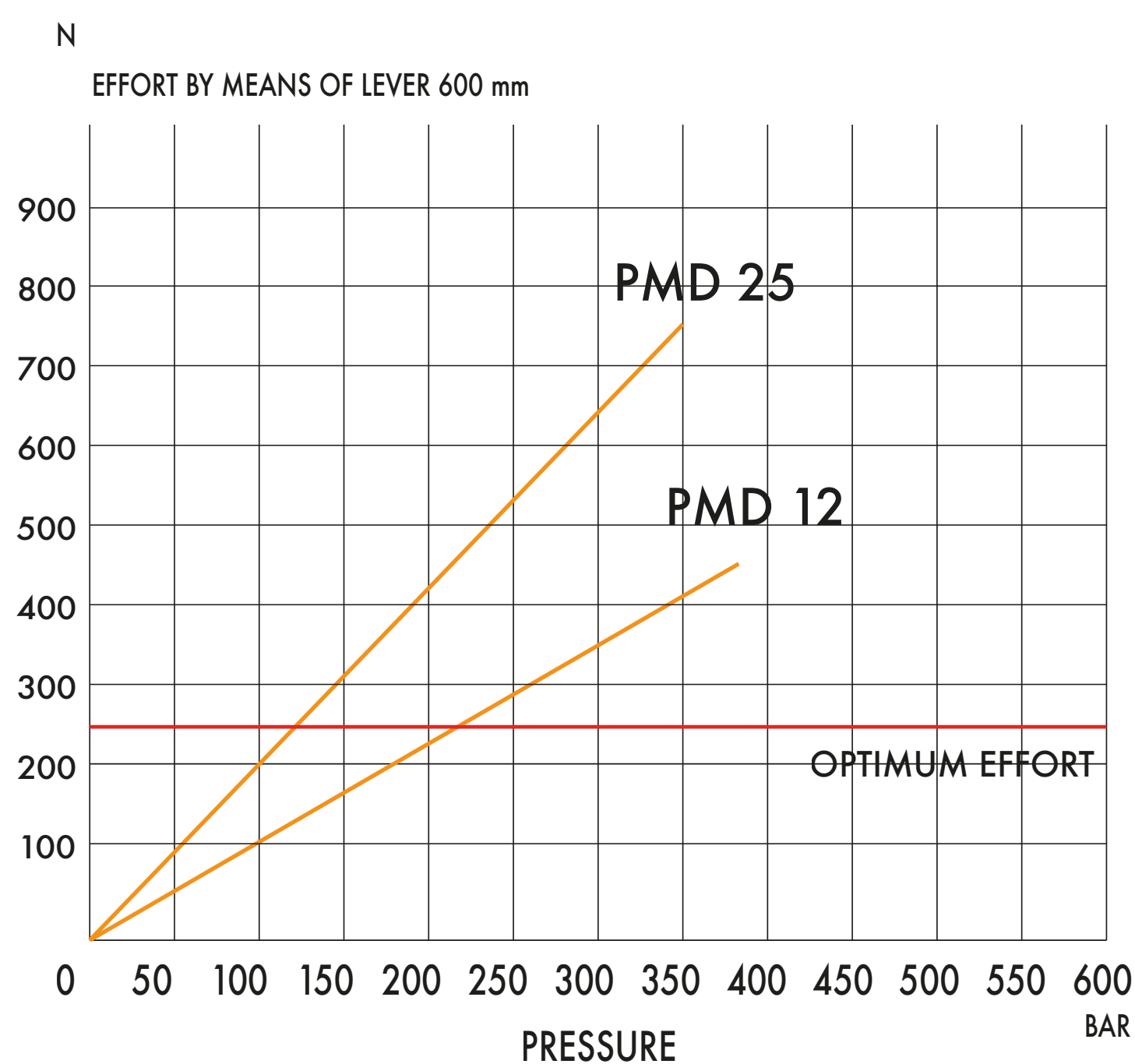
SPECIFICATIONS

Stainless steel AISI 316 pump body
Stainless steel AISI 630 piston rod
with Niploy coating (50 µm)
Lever connection Ø 27
Stainless steel AISI 316 external parts
Oil tank mounting kit including
Pressure relief valve standard
setting: 100 bar
Triple sealing system made to prevent
any oil leakage and sweating onto the piston rod

HYDRAULIC DIAGRAM



EFFORT DIAGRAM



DISPLACEMENT cm ³	A mm	B mm	C mm	D °	E °	ACTUAL DISPLACEMENT cm ³	PRESSURE BAR		MASS KG	CODE
							OPTIMAL	MAX		
12	253	166	34	26	31	12,095	220	380	4,400	6055.7000
25	273	172	34	30	30	25,280	120	350	4,400	6056.7000



HV Hydraulic s.r.l. | Take YOU to another WORLD

Head Office
Via dell'Agricoltura, 162 Loc. Castello di Serravalle
40053 VALSAMOGGIA (BO) Italy

Warehouse
Via del Lavoro, 111 e 135 Loc. Castello di Serravalle
40053 VALSAMOGGIA (BO) Italy